

S8 NUBWO

感谢你使用NUBWO-S8 蓝牙耳机，请在使用之前详细阅读本手册。

包装内容



蓝牙耳机



3.5mm 音频线



USB 充电线



说明书


... 1 ...

S8 NUBWO

规格参数

蓝牙距离 (开放无阻挡)	33 英尺 / 10 米
播放时长	≥ 8 小时
电池	300mA/H
充电时长	2.5 小时
产品尺寸 (L*W*H)	170×75×180mm
净重	205g

产品简图



... 2 ...

S8 NUBWO

按键控制

功能	操作
开关机	按住多功能键3秒
播放/暂停	单击多功能键
音量 加/减	长按音量 +/- 键 2秒
上一曲/下一曲	单击音量 +/- 键
接电话	单击多功能键
挂电话	长按多功能键2秒
拒绝电话	长按多功能键2秒
回拨	双击多功能键回拨最后拨出的电话号码
匹配模式	耳机处于关机状态下，长按多功能键3秒

LED 指示灯

LED 指示灯	状态
固定红光	正在充电
红蓝光交替闪烁	匹配模式
红蓝光交替闪烁	与蓝牙设备断开连接
每秒5亮一次蓝光	已匹配蓝牙设备

... 3 ...

S8 NUBWO

使用说明

1. 充电

- 1) 耳机接入充电线后插入USB充电头或者运行状态下的电脑USB口
- 2) 充电状态下LED指示灯会自动变成固定红色
- 3) 当LED指示灯熄灭时，耳机已充满电

2. 匹配

- 1) 确保耳机和蓝牙设备在距离相近 (1米内)
- 2) 长按多功能键3秒，让耳机进入匹配模式，此时LED指示灯会红蓝光交替闪烁
- 3) 打开手机上的蓝牙功能并搜索附近的蓝牙设备
- 4) 在搜索结果中找到“NUBWO-S8”并选择连接，连接成功后，LED灯会每隔5s 闪烁一次蓝光

3. 有线连接

狼博旺S8 不仅仅是蓝牙耳机，同时也是有线耳机。将包装内的3.5mm音频线插入耳机后，即使电池电量不足时，您仍然可以欣赏音乐。

注意事项

- 请留意耳机上的“L”、“R”标识，分别对应于左侧和右侧
- 如果在匹配过程中需要输入PIN码，请尝试输入“0000”
- 蓝牙耳机能够自动识别之前连接过的蓝牙设备。如果你的蓝牙设备之前连接过该蓝牙耳机，仅需要打开你的蓝牙设备和蓝牙耳机（关机状态下长按3秒多功能键），无需再进行匹配模式就可以自动连接。


... 4 ...



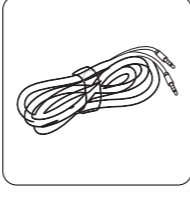
S8 NUBWO

Thank you for choosing the NUBWO NUBWO-S8 Bluetooth Headphone. Here are a few steps to help you get started.

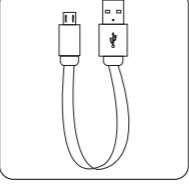
Package Content:




Bluetooth Stereo Headphone



3.5mm Audio Cable



USB Charging Cable



User Manual

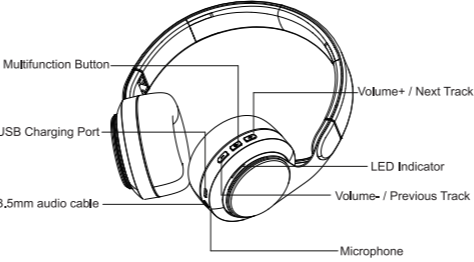
... 5 ...

S8 NUBWO

Specifications

Range	33 feet / 10 m
Working Time	Up to 8 hours
Charging Power	300mA/H
Charging Time	2.5 hours
Dimension (L*W*H)	170×75×180mm
Weight	205g

Product Diagram



... 6 ...

S8 NUBWO

Button Control

Function	Operation
Power ON/OFF	Press and hold the Multifunction button for 3 seconds
Play/Pause	Press the Multifunction button
Volume +/-	Press and hold the Volume +/- button for 2 seconds
Play Next/Previous	Press the Volume +/- button
Answer Phone Call	Press the Multifunction button
Hang up	Press the Multifunction button for 2 seconds
Reject phone call	Press the Multifunction button twice
Redial	Press the Multifunction button twice to re-dial the latest phone number
Pairing mode	When headphone is off, press the Multifunction button for 5 seconds

LED Indicators

LED indicator	Status
Solid red	Charging
Flashes blue and red alternately	In Pairing mode
Flashes blue and red alternately	Disconnected from Bluetooth device
Flashes blue once every 5 seconds	Paired with a Bluetooth device

... 7 ...

S8 NUBWO

How to Use

1. Charging

- 1) Connect the charging port with any USB charging adapter or active computer USB port
- 2) Charging will start automatically with LED indicator turning red
- 3) The headphone is fully charged when LED indicator turns off

2. Pairing

- 1) Make sure the headphone and your Bluetooth device are next to each other (within 1m)
- 2) Press and hold the Multifunction button for 3 seconds to bring the headphone into pairing mode with the LED indicator flashing blue and red alternately
- 3) Activate Bluetooth function on your phone and search for the nearby Bluetooth connection
- 4) Find “NUBWO-S8” in the search results. Tap on the name to connect. Once connected, only the blue LED will flash once every 5 seconds

3. Wired Connect

NUBWO N8 is not only a Bluetooth headset, but also a wired headset. With the included cable, you can still enjoy music when the battery runs low.

Note:

- Please note the “L” and “R” markings on the headphone, they correspond to left side and right side respectively
- If a PIN code is required for pairing, please try “0000” (4 zero)
- The Bluetooth headphone can remember previous paired devices. If you have previously paired the headphone with a device, simply turn on your device and the headphone (by pressing the Multifunction button for 3 seconds to turn on), they will connect the last connected device automatically without going into pairing mode.

... 8 ...

FCC Statement

This equipment has been tested and found to comply with the limits for a Class B digital device, pursuant to Part 15 of the FCC Rules. These limits are designed to provide reasonable protection against harmful interference in a residential installation. This equipment generates uses and can radiate radio frequency energy and, if not installed and used in accordance with the instructions, may cause harmful interference to radio communications. However, there is no guarantee that interference will not occur in a particular installation. If this equipment does cause harmful interference to radio or television reception, which can be determined by turning the equipment off and on, the user is encouraged to try to correct the interference by one or more of the following measures:

- Reorient or relocate the receiving antenna.
- Increase the separation between the equipment and receiver.
- Connect the equipment into an outlet on a circuit different from that to which the receiver is connected.
- Consult the dealer or an experienced radio/TV technician for help.

This device complies with part 15 of the FCC Rules. Operation is subject to the following two conditions:(1) This device may not cause harmful interference, and (2) this device must accept any interference received, including interference that may cause undesired operation.

Changes or modifications not expressly approved by the party responsible for compliance could void the user's authority to operate the equipment.