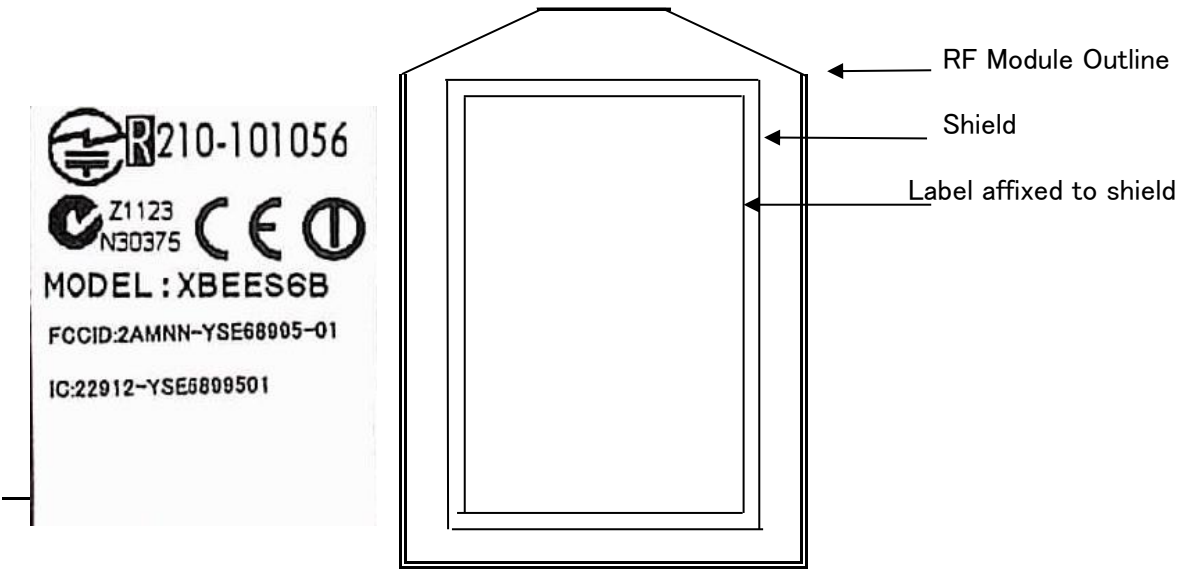


Yokota Industrial Co., Ltd.

*Label for the module for XBEEES6B

The label shown in the following figure is put on the shield case.



Label Dimensions:
16mm x 20mm

Label is permanently attached to the module's RF shield