



Silver Star Mini

Internet Radio

US-10032791 US-10032792 US-10038350

auna

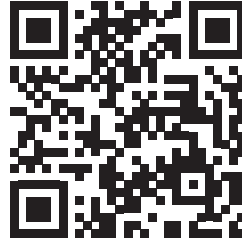
www.auna-multimedia.com

ICH BIN
EIN BERLINER*

* John F. Kennedy on June 26, 1963 in his speech in Berlin, on the occasion of the 15th anniversary of the Berlin Airlift.

Dear customer,

Congratulations on your purchase. Please read the following instructions carefully for the connection and use of this product. It is important to carefully follow these instructions to prevent serious personal injury or damage to the product. We assume no liability for damage caused by disregarding the instructions in this manual or otherwise for improper use of this product. In this case, you assume all risk and responsibility.



CONTENTS

Technical Data	4
Warning	5
Warranty	7
Safety Instructions	8
Product Description	10
Remote Control	12
Initial Use	13
Basic Operation	16
Internet Radio	20
Media Center	21
Information Center	22
Configuration	23
DNLA / UPnP	26
Aux (Line Input)	28
BT	28
FM Operation	28
Troubleshooting	29

TECHNICAL DATA



Item number	US-10032791 US- 10032792 US-10038350
Power adaptor	Input: 100-240 V ~ 50/60 Hz , 0.6 A Output: 12 V / 1 A
Connections	USB, AUX IN (3.5 mm), Headphone jack (3.5 mm)
FM radio	
Frequency range	87.5 MHz - 108 MHz
WLAN	802.11b/g/n Encryption: WEP, WPA, WPA 2(PSK), WPS
Streaming	UPnP, DLNA
Supported file formats	WMA, MP3
BT	
BT frequency	2402-2480 MHz
BT radio-frequency power	max 17 dBm


Made in China

Berlin Brands Group Inc.
101 Montgomery Street,
Suite 2050 in San Francisco, CA 94104
www.berlin-brands-group.com

WARNING

	CAUTION RISK OF ELECTRIC SHOCK DO NOT OPEN	
<p>CAUTION: TO REDUCE THE RISK OF ELECTRIC SHOCK AND SERIOUS PERSONAL INJURY, DO NOT REMOVE ANY COVER. NO USER-SERVICEABLE PARTS INSIDE. REFER SERVICING TO QUALIFIED SERVICE PERSONNEL ONLY.</p> <p>WARNING. TO REDUCE THE RISK OF FIRE OR ELECTRICAL SHOCK, DO NOT EXPOSE THIS PRODUCT TO WATER, RAIN OR MOISTURE.</p>		

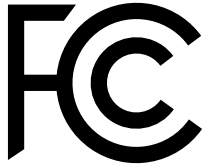
	<p>Triangle with lightning plus explanation as follows:</p> <p>DANGEROUS VOLTAGE: The lightning flash with arrowhead symbol within the equilateral triangle is intended to alert the user to the presence of uninsulated dangerous voltage within the product's enclosure that may be of sufficient magnitude to constitute a risk of electric shock to persons.</p>
	<p>Triangle with exclamation point plus explanation as follows:</p> <p>ATTENTION: The exclamation point within the equilateral triangle is intended to alert the user to the presence of important operating and maintenance (servicing) instructions in the literature accompanying this product.</p>

	<p>CAUTION</p> <p>To reduce the risk of electric shock do not use this plug with an extension cord or receptacle.</p>
---	--

California Proposition 65 Warning: The product may contain chemicals known to the State of California to cause cancer and birth defects or other reproductive harm. (California law requires this warning to be given to customers in the State of California.)

Ventilation Warning: Do not block any ventilation openings by situating the product on a bed, sofa or similar surface that may block the ventilation openings; or place in built-in installation. The product should be situated so that its location or position does not interfere with its proper ventilation.

FCC Warning: This equipment may generate or use radio frequency energy. Changes or modifications to this equipment may cause harmful interference unless the modifications are expressly approved in the instruction manual. The user could lose the authority to operate this equipment if an unauthorized change or modification is made.

	This device has been tested and found to comply with Part 15 of FCC rules. Operation is subject to the following two conditions: (1) the device may not cause harmful interference and (2) the device must accept any interference received, including interference that may cause undesired operation. These FCC rules are designed to provide reasonable protection against harmful interference in a residential installation.
---	---

Changes or modifications not expressly approved by the party responsible for compliance could void the user's authority to operate the equipment. This equipment has been tested and found to comply with the limits for a Class B digital device, pursuant to Part 15 of the FCC Rules. These limits are designed to provide reasonable protection against harmful interference in a residential installation. This equipment generates uses and can radiate radio frequency energy and, if not installed and used in accordance with the instructions, may cause harmful interference to radio communications. However, there is no guarantee that interference will not occur in a particular installation. If this equipment does cause harmful interference to radio or television reception, which can be determined by turning the equipment off and on, the user is encouraged to try to correct the interference by one or more of the following measures:

- Reorient or relocate the receiving antenna.
- Increase the separation between the equipment and receiver.
- Connect the equipment into an outlet on a circuit different from that to which the receiver is connected.
- Consult the dealer or an experienced radio/TV technician for help

This equipment complies with FCC radiation exposure limits set forth for an uncontrolled environment. This equipment should be installed and operated with minimum distance 20cm between the radiator & your body.

WARRANTY

Berlin Brands Group (the "Company") warrants to the original retail purchaser of this Product that should this Product or any part thereof, under normal use and conditions, be proven defective in material or workmanship within twelve (12) months from the date of original purchase, such defect(s) will be repaired or replaced with reconditioned Product (at the sole discretion of the Company) without charge for parts and repair labor. To obtain repair or replacement within the terms of this Warranty, the Product is to be delivered with proof of warranty coverage (e.g. dated bill of sale), specification of defect(s), transportation prepaid, to the Company at the address provided herein

This warranty, as set forth above, may be extended for an additional six (6) months for a total warranty period of up to eighteen (18) months by registering the Product with the Company. In order to register the Product, the original retail purchaser must complete and return the registration documents provided along with the Product to the Company or register online at www.auna-multimedia.com/warranty within ninety (90) days of the days of the original purchase.

This Warranty does not apply to any product or part thereof which, in the opinion of the Company, has suffered or been damaged through alteration, improper installation, mishandling, misuse, neglect, accident, or by removal or defacement of the factory serial number/bar code label(s). THE EXTENT OF THE COMPANY'S LIABILITY UNDER THIS WARRANTY IS LIMITED TO THE REPAIR OR REPLACEMENT PROVIDED ABOVE AND, IN NO EVENT, SHALL THE COMPANY'S LIABILITY EXCEED THE PURCHASE PRICE PAID BY PURCHASER FOR THE PRODUCT.

THIS WARRANTY IS IN LIEU OF ALL OTHER EXPRESS WARRANTIES OR LIABILITIES. ANY IMPLIED WARRANTIES, INCLUDING ANY IMPLIED WARRANTY OF MERCHANTABILITY, SHALL BE LIMITED TO THE DURATION OF THIS WRITTEN WARRANTY. ANY ACTION FOR BREACH OF ANY WARRANTY HEREUNDER INCLUDING ANY IMPLIED WARRANTY OF MERCHANTABILITY MUST BE BROUGHT WITHIN A PERIOD OF 18 MONTHS FROM DATE OF ORIGINAL PURCHASE. IN NO CASE SHALL THE COMPANY BE LIABLE FOR ANY CONSEQUENTIAL OR INCIDENTAL DAMAGES FOR BREACH OF THIS OR ANY OTHER WARRANTY. No person or representative is authorized to assume for the Company any liability other than expressed herein in connection with the sale of this product.

Some states do not allow limitations on how long an implied warranty lasts or the exclusion or limitation of incidental or consequential damage so the above limitations or exclusions may not apply to you. This Warranty gives you specific legal rights and you may also have other rights which vary from state to state.

SAFETY INSTRUCTIONS

FAILURE TO CAREFULLY FOLLOW THESE INSTRUCTIONS MAY LEAD TO SERIOUS PERSONAL INJURY AND DAMAGE TO YOUR PRODUCT.

General Instructions

- DANGER. NOT FOR USE BY CHILDREN UNDER THE AGE OF 18.
- For home and personal use only. Any other usage shall be construed as a misuse as set forth herein.
- For indoor use only. Outdoor usage shall be construed as a misuse as set forth herein.
- Read, keep and follow the instructions carefully.
- Heed all warnings.
- Electrical equipment should never be kept or stored in rain or damp environments. Storage of the product under the aforementioned conditions shall be construed as neglect as set forth herein.
- Unplug the product during lightning storms or when not being used for long periods. Any actions to the contrary shall be construed as a neglect as set forth herein.
- When servicing only use identical replacement parts, as specified by the manufacturer. Usage of any other parts shall be construed as an alteration as set forth herein.
- Do not expose to direct sunlight and do not install near any heat sources such as radiators, heat registers, stoves, or any other apparatus that produces heat. Conducting any of the foregoing shall be construed as a misuse as set forth herein.
- Before first use, clean the product. Failure to clean product prior to its initial usage shall be construed as neglect as set forth herein.
- DO NOT PLUG IN THE PRODUCT UNLESS IT IS TURNED OFF COMPLETELY.
- DO NOT STORE FOOD OR LIQUIDS IN THE PRODUCT.
- DO NOT expose to dripping or splashing water. DO NOT place objects on top of the product. Conducting any of the foregoing shall be construed as a misuse as set forth herein.

Special Instructions

- This manual is intended to familiarize you with the operation of this product. Keep this manual in a safe place for future reference.
- ONLY USE PRODUCT FOR ITS INTENDED PURPOSE. Any other usage shall be construed as a misuse as set forth herein.
- DO NOT MODIFY OR ALTER THE PRODUCT IN ANY WAY. Any attempt of the aforementioned shall be construed as an alteration as set forth herein.
- Always handle the product carefully. It can be damaged by bumps, impacts or falls from low height.
- Always keep the product away from moisture and extreme heat. Failure to protect the product from the aforementioned shall be construed as neglect as set forth herein.
- Do not drop metal objects into this device.
- Do not place heavy objects on this device.
- Do not block the ventilation openings. Blocking the ventilation openings shall be construed as neglect as set forth herein.
- Only use accessories recommended by the manufacturer or a specialist dealer. Usage of any unauthorized accessories shall be construed as an alteration as set forth herein..
- NEVER OPERATE THIS PRODUCT IF THE IT HAS BEEN DAMAGED OR IS NOT WORKING PROPERLY.

Small objects / packaging parts (plastic bags, cardboard, etc.)

- Keep small objects (for example, screws and other assembly materials, memory cards) and packaging parts out of reach of children so that they cannot be swallowed. Do not let small children play with plastic bags. Risk of suffocation.

Transporting the device

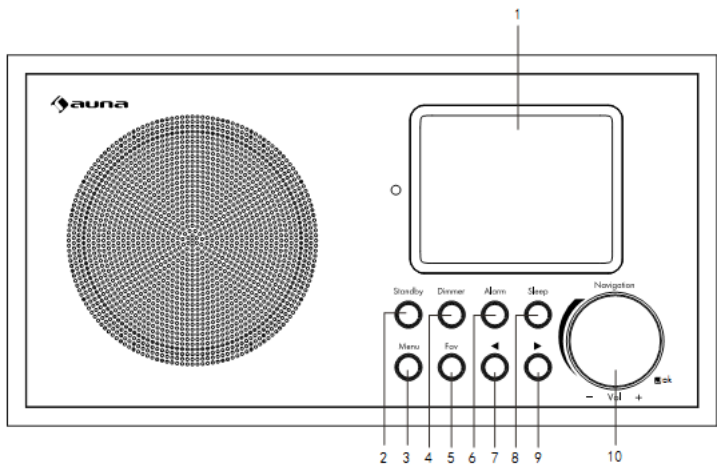
- Please keep the original packaging. To ensure adequate protection when transporting the device, pack the device in its original packaging.

Cleaning the outer surfaces

- Do not use volatile fluids, such as insect sprays. The surface can be damaged by excessive pressure during wiping. Rubber or plastic parts should not be left in contact with the device for an extended period of time. Use a dry cloth.

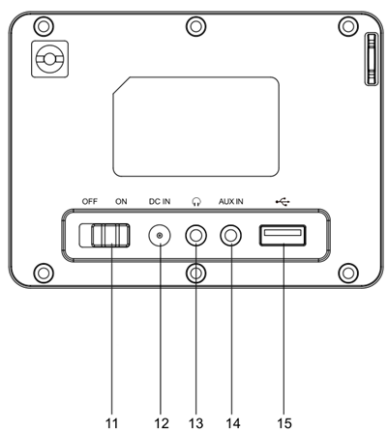
PRODUCT DESCRIPTION

Front



- 1 Display
- 2 Standby button
- 3 Menu button
- 4 Dimmer button
- 5 Fav button
- 6 Alarm button
- 7 Previous button
- 8 Sleep button
- 9 Next button
- 10 Vol+/Vol-/ok knob

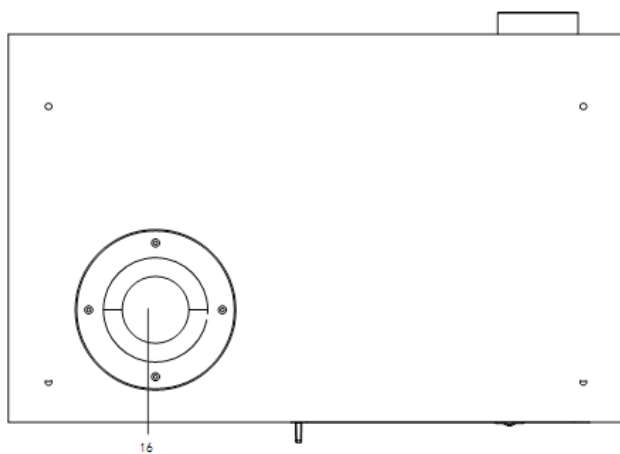
Rear



Rear

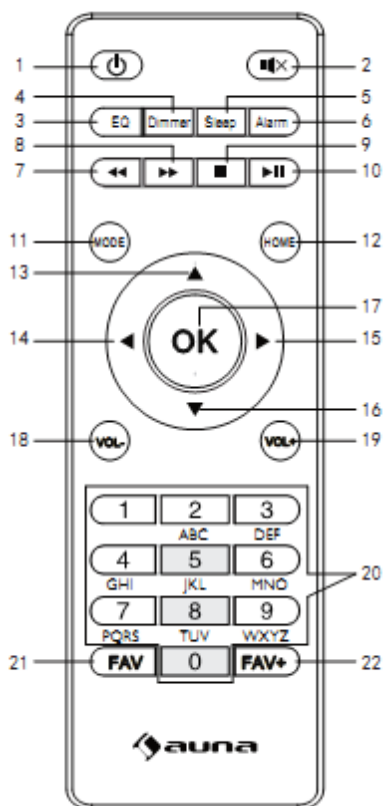
- 11 ON/OFF switch button
- 12 DC IN socket
- 13 Headphone jack (3.5mm)
- 14 AUX IN socket(3.5mm)
- 15 USB port

Bottom



- 16 Bass reflex tube

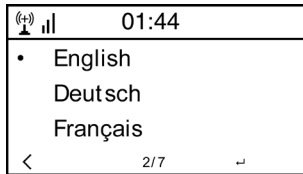
REMOTE CONTROL



- | | | |
|-----------------------|------------------------|-------------------------------------|
| 1 Standby button | button | 20 Input letters and numbers button |
| 2 Mute button | 12 Home button | 21 Calling up stations |
| 3 EQ set tone | 13 Up cursor button | 22 Save stations |
| 4 Dimmer button | 14 Left cursor button | |
| 5 Sleep button | 15 Right cursor button | |
| 6 Alarm button | 16 Down cursor button | |
| 7 Previous button | 17 OK button | |
| 8 Next button | 18 Vol- button | |
| 9 Stop button | 19 Vol+ button | |
| 10 Play/ Pause button | | |
| 11 Mode selection | | |

INITIAL USE

- Before operation, please make sure that the VOLTAGE mentioned on the power supply is same as the voltage of your local area.
- Use the supplied mains adaptor to connect the device to a household mains socket.
- Switch the device on with the power switch on the rear.
- When it is the first time running the device, the system will ask you to set Language and Network Configurations. You may setup the network connection immediately, or set it later. Use Navigate to select the desired option. Press Navigate/OK to confirm.
- Press Standby button when unit is power on, unit will go to standby mode. Press again will make it on again.



Network configuration

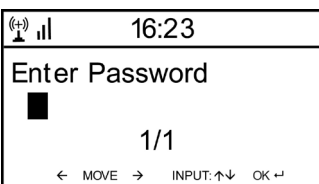
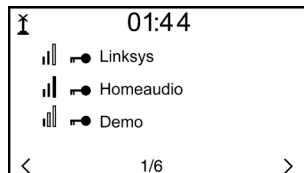
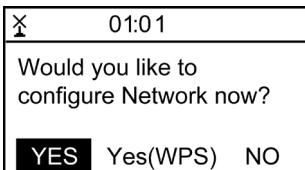
1 Normal network configuration

Select "Yes" for the normal Wireless Network Configuration: Then select the required AP by turning "Navigate" and confirm it by pressing "Navigate/OK".

Enter WEP or WPA code to connect the WiFi network by select the correct character turning the "Navigate/OK" button.

Press button to select the next character.

In this condition, press button you can turn left and delete the left characters at the same time: when the password is complete please press "Navigate/OK" button to confirm.



Note: Below characters are available for the radio:
Numbers (from 0-9)
English letters (from A to Z and from a to z)
Other charcters (DEL,@,Blank,!,",#,\$,%,&,*;',+ and (,)

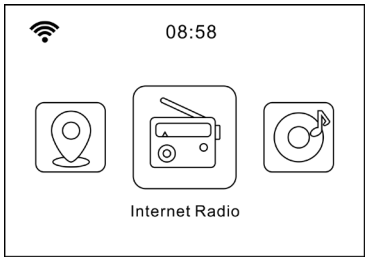
1 WPS PBC network configuration

Select "Yes WPS" when you would like set up with Wireless Network (WPS PBC) feature: If you are using a router with WPS button, you may set up the network connection simple via WPS function. Enter it and go to press the WPS button on your router within 120 seconds. The connection between the router and the Radio will then be configured automatically.

2 No network configuration

Pls select "NO" when you do not like to configure the network connection at the moment.

The radio will start connecting to the network. After the router is connected successfully, it will show "Network OK" and display the menu screen:



Note: Below characters are available for the radio:

Numbers (from 0-9)

English letters (from A to Z and from a to z)

Other characters (DEL, @, Blank, !, ", #, \$, %, &, *, ', + and (,))

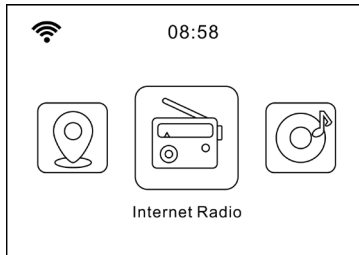
1 WPS PBC network configuration

Select "Yes WPS" when you would like set up with Wireless Network (WPS PBC) feature: If you are using a router with WPS button, you may set up the network connection simple via WPS function. Enter it and go to press the WPS button on your router within 120 seconds. The connection between the router and the Radio will then be configured automatically.

2 No network configuration

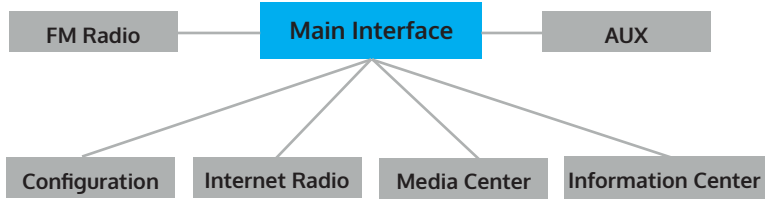
Pls select "NO" when you do not like to configure the network connection at the moment.

The radio will start connecting to the network. After the router is connected successfully, it will show "Network OK" and display the menu screen:

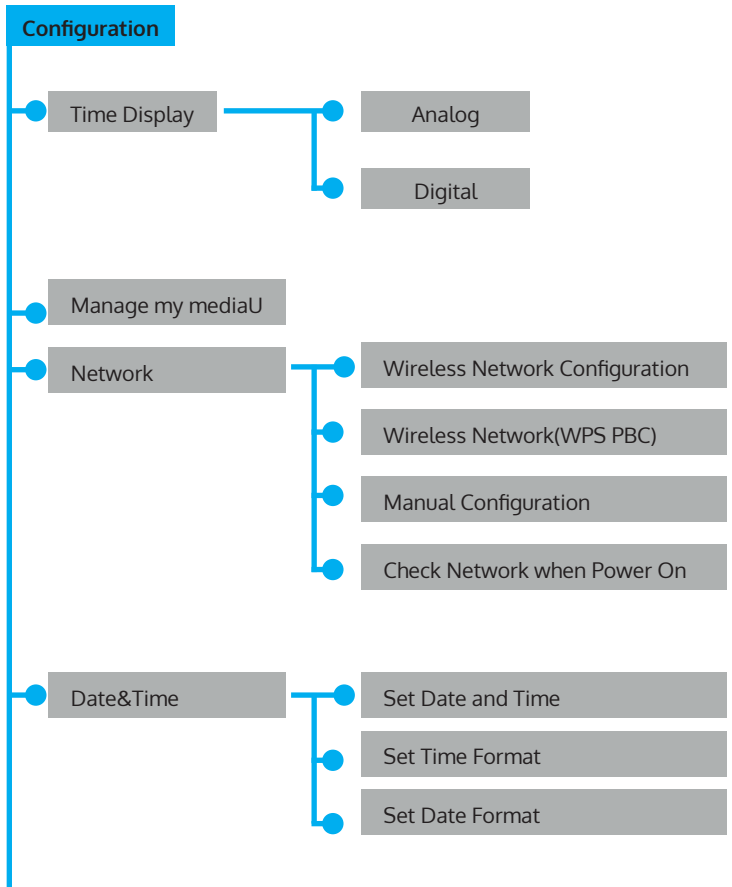


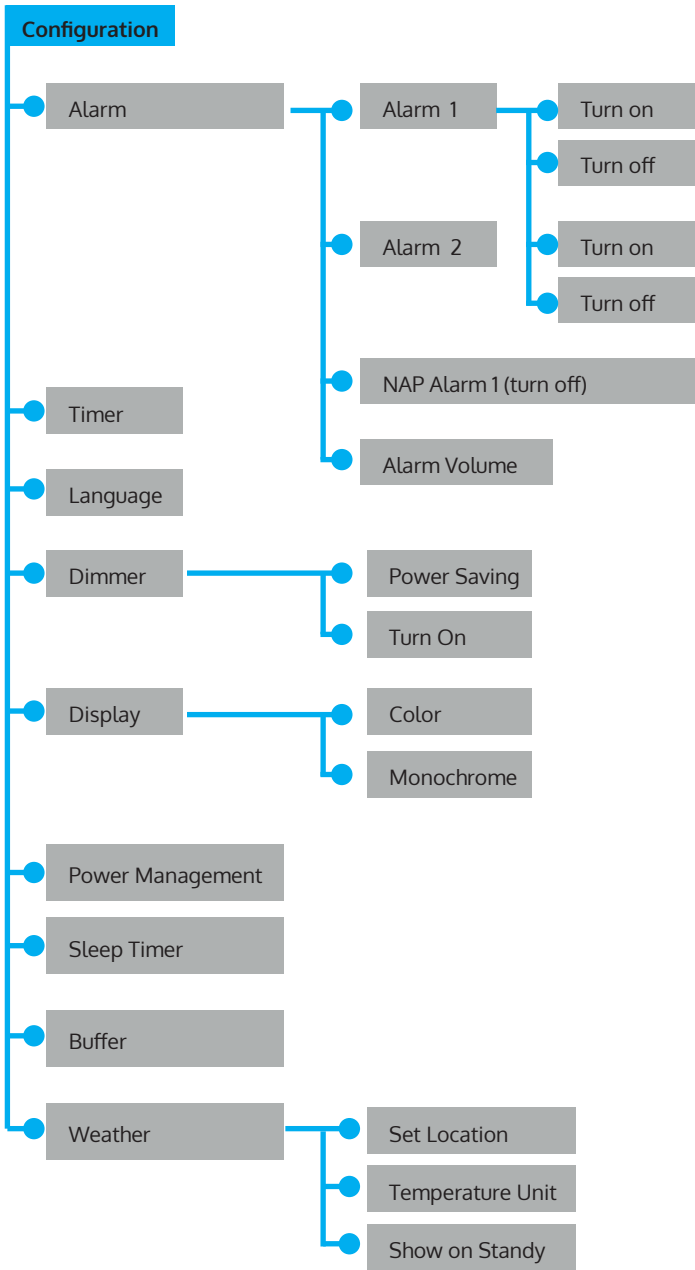
BASIC OPERATION

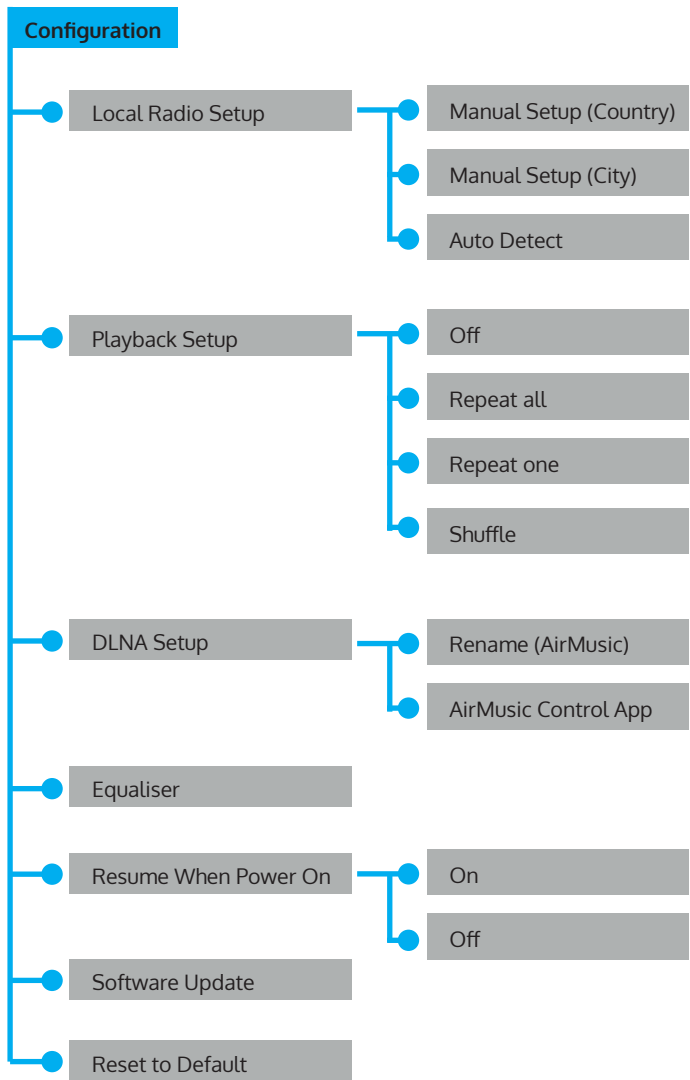
Rotate button and press OK to access a menu item.



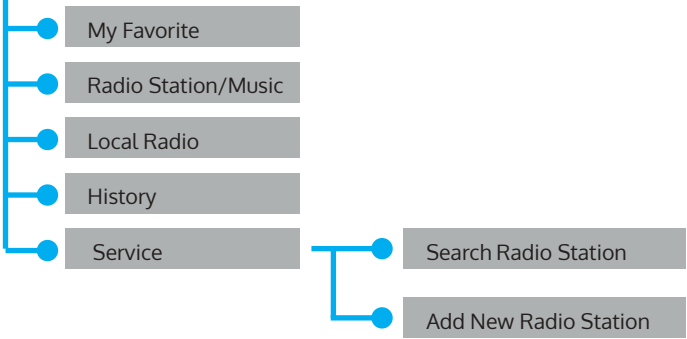
To go back to the last menu level press LEFT.



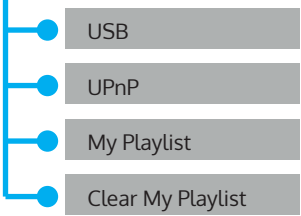




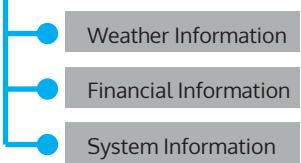
Internet Radio



Media Center

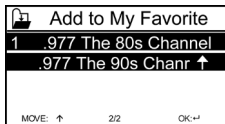


Information Center



FM Radio

INTERNET RADIO



Press "Standby" to go to working mode and rotate Navigate to scroll through the main menu. Press OK (to enter sub menus or confirm settings) Press < to return to the previous menu.

After connection of any station successful, station information will be shown and information content can be changed with < or > button.

My Favorites

List of my favorite preset stations. It supports 250 favorite entries including stations and folder. During the station playing screen, press and hold Fav on the device or "Fav add" on the remote control to save the station as my favorite. You may replace the previous saved station to the new one.

If the Selected station has been saved, you cannot save it again. The saved stations are showed under this menu. You may also press Fav to enter the saved station list. You may enter the number key on the remote control to recall the saved station.

Under the preset station list, move to your station; press OK from unit or OK from remote control to listen.

Enter its submenu with > button, Delete, Shift Up/Down along the list, Rename, Play, or Use as Alarm (if you chose internet as alarm sound in alarm configuration).

Radio Station/Music

Stations are categorized into Global Top 20, Genre, Country/Location (Africa, Asia, Europe, Middle East, North America, Oceania/Pacific and South America) and Highlight. Enter to continue the subcategories and choose the station to listen.

For each station, press OK from unit or remote control to play directly Press > to enter its submenu. When you choose Auto Scan, it becomes the playback of marquee of each station in the subcategory. Each station plays 30 seconds until all have played or you press "OK" to stop the marquee listening. Press > button to view the display information of the playing station.

Local Radio

Stations are categorized to the country/location which the unit is operated.

Sleep Radio

You can choose Birds, Piano, Rain, Spa, Space, and Wave as sleep radio.

History

List of the ten recently listened stations.

Service

Search radio station-Enter your keyword to search radio station from the list.

Add new radio by adding IP address, the added stations will be stored in My Favorite. Note that the maximum character of the station name is 250.

MEDIA CENTER

Select the USB/UPnP mode or playlist mode with Navigate/OK or with the Mode button.

UPnP

If you have set up shared media, you should see the shared media from UPnP.

If you have more than one computer sharing media, the alternatives are listed.

Select the shared media you want to play.

Use Play/Pause (10), Next/Prev (8, 7) and Stop (9) .Press Right cursor button (15) to view the display information of the playing track.

Note: The radio can only read the track with the file name less than 40 characters. The characters should be in European Language. If you encounter failure of reading the track under UPnP mode, you may try to rename the file. However, if the track is still unable to play, you can try converting the file to different formats.

USB

From this point on, menus are generated from the folders on the USB device. Brows folders with the NAV wheel or direction keys (16/10/9/8) on the remote control.

The display shows folder and file names (not necessarily track names).

Once you have found a track you want to play, press the navigate wheel on the device or press OK on the remote control.

Note: The USB port does not support charging or data transfer with computers.

My Playlist

You can create a playlist of favorites music from UPnP. When you playing the music, press and hold OK from unit or remote control to save it into My Playlist

Clear My Playlist

Please select this option for clearing the playlist .Please confirm the questions.

My media U

Display and playback your own mediaU station list on the mediaU server. Set your account first. To activate your own station list, follow the steps below:

Access <http://www.mediayou.net/>. Join my mediaU membership. Login to the website;

Enter the wireless MAC address of Radio to the mediaU website.

This information can be obtained in information Center>System information>Wireless Info;

When successfully configured, you are able to save and view your own mediaU station playlist(s).Username and password is not required to enter to the Radio.

If there are different accounts stored in Radio, you can choose the one you currently use under Configuration menu. On the website, you may save stations to Favorite Station, set Favorite Location/Genre and My Local City, or add stations manually. The stations can be viewed from My Media mode on the Radio.

INFORMATION CENTER

Weather Information

There are weather information and forecasts for 2000 cities.

Select the country and then the city for the weather details.

Press </> to see the weather forecasts.

The device is able to display the weather information on the standby mode.

On the weather information page, press OK to set the city to displaying on the standby mode. Then turn on the weather display.

Financial Information

View the stock index

System Information

View details of units and of connect network. The information includes MAC address which you are required to fill in when registration of "my mediaU" membership.

CONFIGURATION

Time Display	Analog/digital
MyMediaU	When it is enabled, my mediaU will exist on the main menu.If various mediaU accounts exist in the Radio, select the default login account in here.
Netzwerk	Wireless Network Configuration: Enable/disable WiFi network. When you enable the WiFi network, the system will automatically select the required AP. Enter WEP or WPA code to connect the WiFi
	Wireless Network (WPS PBC): If you are using a router with WPS/QSS button, you may set up the network connection simple via WPS function. Enter it and go to press the WPS/QSS button on your router within 120 seconds. The connection between the router and device will then be configured automatically.
	Manual Configuration: You can choose DHCP (which IP assigned automatically) or manually input IP address for wireless network connection. When you select manual setting for wired connection, the following have to be entered: SSID (name of access point), IP Address, subnet mask, default gateway, preferred DNS server, alternate DNS server.
	Check Network When Power On: : Enable/disable WiFi network. When you enable the WiFi network, the system will automatically search the available AP. Select required AP.
Date & Time	Setup the date and time Set time format display as 12 Hour or 24 Hour.
	Set date format (YYYY/MM/DD; DD/ MM/YYYY; MM/DD/YYYY) (Y=Jahr, M= Monat, D= Tag)
	Daylight Saving Time : "ON:, the time will be one hour More than the actual time. OFF: the time will be same as the actual time. If it was on the model of the "Daylight Saving Time(DST) and you choose" OFF", the time will be deducted one hour ,that's to say, the time will be same as the actual time.

Alarm	<p>There are three independent alarms-2 alarms of absolute time setting (Alarm 1 and Alarm 2) and 1 alarm for relative time setting (Alarm NAP). Press Alarm on the remote control to enter this menu directly.</p> <p>Note that the alarm source is from the preset Internet radio if Alarm Sound is set to be Internet Radio. It can only set one same IR station for Alarm 1 and Alarm 2. When the alarm is reached the unit connects to the Internet if the set network is available. Therefore there may be some delay from the alarm to the radio play. If no network is connection can be established within one minute, the alarm will change to Melody automatically. When Alarm " NAP" is set, it alarms once in 5/10/20/30/60/90/120 minutes depending on which one you have set. Choose Alarm Volume to configure the volume of the alarms.</p>
Timer	Countdown timer (max. 100 Minuten)
Language	English /Deutsch / Espanol /Francais / Portugese / Nederlands / Italiano / Pyccknn / Svenska / Norske / Dansk / Magyar /Cesky /Slovensky / Polski / Turkce / Suomi
Dimmer	Power Saving / Turn On
Display	Color/ monochrome
Power Mgmt	Configure to go to standby mode automatically during in the menu or/ and without Wifi signal. Choose the power management timer (5/15/30mins) to set the duration of the radio to switch standby mode automatically when you are not controlling it. Choose Turn off to ignore the power management function.
Sleep Timer	Turn off or set the sleep timer of 5/ 30/ 60/ 90/ 120/ 150/ 180 minutes. Once the time is set, there will be a bed icon with remaining minutes at the top right corner and the device will turn to standby then .Press Sleep on the remote control for the shortcut of this function.
Buffer	Configure the buffer time of the music playback, 2/4/8 seconds.

Weather	Activate/deactivate the weather forecast for the standby display. Choose your preferred temperature unit (°C or °F) and then proceed entering your location. When activated, the weather forecast is shown in turns with the clock display on the standby screen (each 10 secs).
Local Radio Setup	There is a shortcut Local Radio under Internet Radio so that you can easily go to the station list of your location. You may Manual Setup your location, or let the system Auto Detect your current location. The system detects the location according to the IP address of your connected network. Press Local Station to enter this local radio list directly.
Playback Setup	Setup Select the playback mode of media center: OFF (no repeat or shuffle), Repeat all, Repeat one, Shuffle.
Device	Default device name for DLNA is "AirMusic". You may rename it for DLNA setup on the PC or mobile. QR code for downlode and install "AirMusic" control App.
Equalizer	Default equalizer is Normal, you may change to Flat, Jazz, Rock, Soundtracks, Classical, Pop, News or my EQ. Press EQ on the remote control to swap among the EQ mode for shortcut.
Resume When Power On	The system is default to resume internet radio playback if you were listening to internet radio or media center before switch off the unit. If turn this setting off, the system will remain in the main menu when switching on the unit.
Software Update	Update software. If there is an updated software version on the server, the system will notify you .Before starting a software upgrade, ensure that the unit is plugged into a stable mains power connection. Disconnected power during a software update may permanently damage the unit.
Reset to Default	Restore the default settings. After the device is reset, the system will move to language is elected.

DNLA / UPNP

You may change the default DLNA name as you like. The information below is the introduction of how to setup media streaming from PC or other media server. Study the own instruction of the software or apps you use to enjoy music streaming if necessary. Make sure the music files are in the format of MP3,WMA,WAV or AAC for music streaming to the radio.

UPnP

Connect the PC to the network.

Ensure the Radio is powered on and connected to the same network. Open the UPnP platform Windows Media Player (11 or later).Alternatively, other platforms or server such as Windows Media Connection may be used.

Allow to share your media to Radio.

Add the audio files and folders you want to share with radio to the media library.

You may also enjoy the streaming music from other music server, such as smart phone (Android platform).

DLNA

The PC system requirement for DLNA is Windows 7 and Windows Media Player 12.Setup as below:

First, share the media on your PC to Radio.

Control Panel > Network and Internet >Network and Sharing Center > Change Advanced Sharing>Media streaming options.

Open Windows Media Player to enable Allow remote control of my Player. Right click any music in the library and choose Play to Radio. There will be a window for controlling music playback on Radio.

You may search and install any free or commercial DLNA apps from Google Play or Apple Store if you are using Android mobile, tablet or iPhone / iPad. It is suggested to use bubble UPnP, Twonky.

Beam on Android mobile, tablet or Twonky Beam on iPhone /iPad. Some apps may not support streaming music from iPhone /iPod but iPhone/iPod could still be used to control streaming music from other servers.

Procedures for playing shared music on the app are as follows:

- Select Radio as the player. Some apps may allow playing the music to multi players at the same time.
- Select music server and choose the music .Some app can create a playlist if you choose several music.

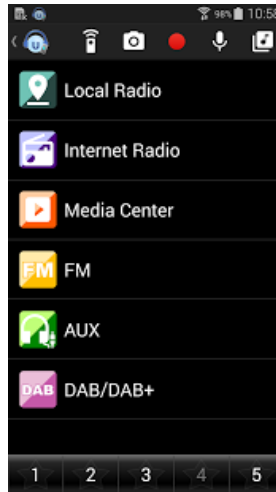
Please note: When using DLNA music streaming function on the Internet Radio, you can only control the volume and standby via the unit. It is restricted to control the other functions. Stop DLNA on PC, mobile or tablet before you resume Internet radio's own control.

Control via Air Music Control

You can operate the internet radio via you smartphone or tablet.

Download "Air Music Control" from the "Google Play Store" or "Apple AppStore".

The devices must be connected to the same network.



AUX (LINE INPUT)

AUX IN mode plays audio from an external source such as an MP3 player.

To play audio with AUX IN mode

Turn the volume low on both the Radio and if adjustable, the audio source device.

Connect the external audio source to the AUX IN 3.5mm stereo socket. Either press MODE until the display shows AUX IN or selects AUX in under Main menu. Adjust the volume of the Radio (and, if necessary, the audio source device) as required.

BT

Either press MODE until the display shows BT or selects BT under Main menu. It will have remind sound "pairing", search the pairing name "Silver Star Mini" in your phone and click it to pair. It will have reminding sound "connected" after paired successfully. You now can play music via BT; you can adjust volume from the radio or your phone.

FM OPERATION

Select 'FM mode' on the main display screen with the navigation knob or with the navigation buttons on the remote. Once selected, the FM mode will start on 87.5MHz.

To save all stations with strong signal, press the navigation knob, it will show "auto scan?" choose YES. Then it will start auto scan. Once the auto-scan is complete, stations will be saved in your favorites.

You will then be able to browse through these saved stations by holding down the '<' or '>' buttons to skip between saved stations.

To manually scroll through FM frequency, simply press the '<' or '>' buttons to go backwards or forwards through the frequency wave.

Pre-setting your favourite FM stations

To save presets manually, select and listen to the station frequency number for the station you wish to save.

Follow by holding down the 'Fav' button for 1-2 secs and the number '01' will display on the screen. Use the navigation knob to browse through preset numbers(up to 99) and select the chosen prest number you wish to save it as by pressing the navigation knob.

Recalling preset FM stations

View your favourite FM stations when you are on FM mode by simply selecting the 'Fav' button and begin scrolling through saved stations.

TROUBLESHOOTING

Problem	Cause / Solution
<p>If you have trouble connecting the radio to your wireless network, these steps may help to resolve the problem:</p>	<p>Confirm that a Wi-Fi or Ethernet Wired connected PC can access the internet (i.e. can browse the web) using the same network.</p> <p>Check that a DHCP server is available, or that you have configured a static IP address on the radio.</p> <p>Check that you firewall is not blocking any outgoing ports.</p> <p>Some access points may be set so that only equipment with registered MAC addresses can connect to them. This is one possible cause of the Internet Radio being unable to connect to the Wi-Fi network, and the Internet Radio display will show Bad ESSID or key. To overcome this problem you will need to add the Internet Radio's MAC address to the list of allowed equipment in your access point. The Internet Radio's MAC address can be found using the menu <Information Center ->System Information -> Wireless Info > MAC address>. You will need to refer to the guide for you Access Point in order to enter the Internet Radio as an allowed piece of equipment.</p> <p>If you have an encrypted network, check that you have entered the correct key or passphrase into the radio. Remember that text-format keys are case sensitive.</p> <p>If your wireless network name (ESSID) is 'Hidden'(a setting on the wireless access point), then you can either turn on the name, or you can manually enter the name into the internet radio and media player, ENTER <Configure -> Network -> Manual Configuration-> Wireless -> Enter ESSID>. Confirm if the network is encrypted, e.g. requires a WEP or WPA key, then enter the network name.</p>

<p>If your radio can connect to the network successfully, but is unable to play particular stations, it may be due to one of the following reasons.</p>	<p>The station is not broadcasting at this time of the day (remember it may be located in a different time zone). The station has too many people trying to attach to the radio station server and the server capacity is not large enough. The station has reached the maximum allowed number of simultaneous listeners. The station is not broadcasting anymore. The link on the radio is out of date. This is updated automatically every day, so the next time you turn on the link will be recognised. The internet connection between the server (often located in a different country) and yours is slow. Some internet service providers may fail to stream in certain geographical areas. Try using a PC to play back the stream via the broadcaster's web site. If you can play back the station with a PC, please report to the customer service where you bought this radio. If you have a laptop, try connecting it if your Internet Radio cannot find the station.</p>
<p>When you scan for PCs under UPnP function, none can be found, or the PC you are looking for does not appear in the list.</p>	<p>You have not connected to the wireless Access point. On the internetradio, ENTER 'Configuration', 'Network', 'Wireless network connection' and then ENTER your Wireless network. (You may need to enter a security key to access the network wirelessly). You have a firewall set on your PC which is stopping you accessing shared files. If you have a third party firewall (Like Norton, or Zone Alarm) that will have its own control panel and you will need to consult the manual for your firewall. If your PC is connected to a managed network, with a server sometimes the PC being searched for needs to be server Workgroup..</p>
<p>I can't share a folder, as the option is not highlighted.</p>	<p>When the internet radio is scanning the content of the folders on a PC, it is possible that a scan error may occur if the windows file sharing application times out. This is most likely to occur if both the PC with the media content and the Internet Radio are connected wirelessly. Try re-connecting the PC with the media content into the network via cable. This will dramatically increase the speed at which the Internet Radio is able to scan the content of the Media PC.</p>

Scan-Error	<p>When the internet radio is scanning the content of the folders on a PC, it is possible that a scan error may occur if the windows file sharing application times out. This is most likely to occur if both the PC with the media content and the Internet Radio are connected wirelessly. Try re-connecting the PC with the media content into the network via cable. This will dramatically increase the speed at which the Internet Radio is able to scan the content of the Media PC.</p>
If the Internet Radio keeps re-buffering the radio station:	<p>The Internet Radio is streaming the data from the radio station via your broadband connection, if there is a high error rate on your broadband connection, or the connection is intermittent, then it will cause the Internet Radio to pause until the connection is re-established and it has received enough data to start playing again. If your Internet Radio keeps stopping, please check the DSL modem to ensure that the Broadband line is not suffering a high error rate or disconnections. If you are experiencing these problems, you will need to contact your broadband supplier.</p>

Estimado cliente:

Le felicitamos por la adquisición de este aparato. Lea atentamente el siguiente manual de instalación y uso del producto. Es importante que siga cuidadosamente las instrucciones con el fin de evitar posibles lesiones personales graves o daños al equipo. La empresa no se responsabiliza de los daños ocasionados por un uso indebido del producto o por haber desatendido las instrucciones de este manual. En este caso, usted asume toda responsabilidad y riesgo.



ÍNDICE

Datos técnicos	34
Advertencia	35
Garantía	37
Instrucciones de seguridad	38
Visión general del aparato	40
Mando a distancia	42
Puesta en funcionamiento	43
Estructura del menú	45
Radio internet	49
Centro de medios	50
Centro de información	51
Ajustes	52
DNLA / UPnP	55
Entrada	57
BT	57
Radio FM	57
Resolución de problemas	59

DATOS TÉCNICOS

Número de artículo	US-10032791 US-10032792 US-10038350
Suministro eléctrico del aparato	Entrada: 100-240 V ~ 50/60 Hz , 0,6 A Salida: 12 V - 1 A
Conexiones	USB, entrada aux (3,5 mm), Toma de auriculares (3,5 mm)
Radio FM	
Rango de frecuencia	87,5 MHz - 108 MHz
WLAN	802.11b/g/n Codificación: WEP, WPA, WPA 2(PSK), WPS
Transmisión	UPnP, DLNA
Tipos de archivo compatibles	WMA, MP3
BT	
BT frecuencia	2402-2480 MHz
BT potencia de radiofrecuencia	max 17 dBm



Made in China


Berlin Brands Group Inc.

101 Montgomery Street,
Suite 2050 in San Francisco, CA 94104
www.berlin-brands-group.com

ADVERTENCIA

	ATENCIÓN RIESGO DE DESCARGAS ELÉCTRICAS NO ABRIR	
<p>ATENCIÓN: PARA REDUCIR EL RIESGO DE DESCARGAS ELÉCTRICAS, NO RETIRE LAS TAPAS. EL APARATO NO CONTIENE EN SU INTERIOR PIEZAS QUE EL USUARIO PUEDA REPARAR. TODA REPARACIÓN DEBE SER REALIZADA POR PERSONAL TÉCNICO CUALIFICADO.</p> <p>ADVERTENCIA. PARA EVITAR DESCARGA ELÉCTRICA, NO SUMERJA EL ENCHUFE, CABLE DE ALIMENTACIÓN O EL APARATO EN AGUA U OTROS LÍQUIDOS</p>		

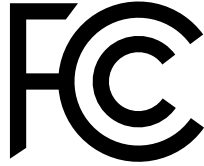
	<p>Un triángulo con relámpago más la siguiente explicación: VOLTAJE PELIGROSO: el símbolo de relámpago con una flecha dentro de un triángulo equilátero indica al usuario que en el interior del producto puede haber tensiones peligrosas no aisladas de magnitud suficiente para constituir un riesgo de descarga eléctrica.</p>
	<p>Un triángulo con signo de exclamación más la siguiente explicación: ATENCIÓN: el signo de exclamación dentro de un triángulo equilátero indica al usuario que en esta guía existen instrucciones importantes de operación y mantenimiento (servicio).</p>

	<p>ATENCIÓN Para reducir el riesgo de descargas eléctricas, no utilice este enchufe con un alargador o receptáculo.</p>
---	---

California Proposition 65 Advertencia: este producto puede contener sustancias químicas que el Estado de California reconoce que pueden causar cáncer y defectos de nacimiento u otros daños reproductivos. (La ley de California exige indicar esta advertencia a los clientes en el Estado de California.)

Advertencia de ventilación: no bloquee las ranuras de ventilación ni coloque el aparato sobre una cama, un sofá o una superficie similar que pueda bloquear las ranuras de ventilación; no coloque el aparato en una construcción empotrada. Instale el aparato de manera que su ubicación o posición no interfiera con su correcta ventilación.

Advertencia FCC: este equipo puede generar o utilizar energía de radiofrecuencia. Los cambios o modificaciones en este equipo pueden causar una interferencia negativa, salvo que las modificaciones fueran expresamente aprobadas en el manual de instrucciones. El usuario puede perder la autoridad de operar este equipo si efectúa cambios o modificaciones no autorizadas.



Las pruebas realizadas con este equipo ponen de manifiesto su adecuación a la Parte 15 de las Normas FCC. El funcionamiento está sujeto a las siguientes dos condiciones: (1) que el dispositivo no cause una interferencia perjudicial y (2) que el dispositivo acepte toda interferencia que reciba, incluida la interferencia que pueda provocar un funcionamiento no deseado. Estas Normas FCC están creadas para proveer una protección razonable en contra de las interferencias perjudiciales en una instalación doméstica.

GARANTÍA

Berlin Brands Group (la «Compañía») garantiza al comprador minorista original de este Producto que, en caso de que este producto o cualquier pieza de este, durante un uso y condiciones normales, presentara defectos probados en los materiales o acabados dentro de un período de doce (12) meses a partir de la fecha de compra original, dicho/s defecto/s se reparará/n o reemplazará/n con un producto reacondicionado (según la decisión de la Compañía) sin cargo por las piezas o la mano de obra empleadas. Para beneficiarse de reparaciones o de un reemplazo dentro de los términos de esta Garantía, el producto se enviará a la Compañía con portes prepagados adjuntando una prueba de cobertura de Garantía (por ejemplo, factura de venta con fecha) y una descripción del problema a la dirección proporcionada en este documento.

Esta garantía, tal como se ha establecido anteriormente, puede prolongarse durante seis (6) meses adicionales para un período total de garantía de dieciocho (18) meses si se registra el Producto ante la Compañía. Para registrar el Producto, el comprador minorista original debe completar y enviar los documentos de registro suministrados junto con el Producto a la Compañía o registrarlo en línea en

www.auna-multimedia.com/warranty

en un plazo de noventa (90) días tras la compra original.

Esta Garantía no se aplica a ningún producto o pieza de este que, en opinión de la Compañía, haya sufrido daños por alteración, mala instalación, mal manejo, uso indebido, descuido, accidente o porque se haya retirado o alterado su número de serie de fábrica/etiqueta(s) con código de barras. EL GRADO DE RESPONSABILIDAD DE LA EMPRESA BAJO ESTA GARANTÍA SE LIMITA A LA REPARACIÓN O SUSTITUCIÓN ANTERIORMENTE DESCRITA Y, EN NINGÚN CASO, LA RESPONSABILIDAD DE LA COMPAÑÍA PODRÁ EXCEDER EL PRECIO DE COMPRA QUE EL COMPRADOR HA PAGADO POR EL PRODUCTO.

ESTA GARANTÍA SUSTITUYE AL RESTO DE GARANTÍAS O RESPONSABILIDADES EXPRESAS. CUALQUIER GARANTÍA IMPLÍCITA, INCLUYENDO LAS GARANTÍAS IMPLÍCITAS DE COMERCIALIZACIÓN, SE LIMITARÁ A LA DURACIÓN DE ESTA GARANTÍA ESCRITA. CUALQUIER MEDIDA QUE SE TOMA FRENTE AL INCUMPLIMIENTO DE UNA GARANTÍA SE DEBE REALIZAR EN UN PERIODO DE 18 MESES A PARTIR DE LA FECHA DE COMPRA ORIGINAL. EN NINGÚN CASO LA COMPAÑÍA SERÁ RESPONSABLE DE DAÑOS INDIRECTOS O INCIDENTALES POR INCUMPLIMIENTO DE ESTA U OTRA GARANTÍA. Ninguna persona o representante está autorizado a asumir en nombre de la Compañía ninguna responsabilidad distinta a las expresadas en el presente documento, con relación a la venta de este Producto.

Algunos estados no permiten limitaciones en la duración de una garantía implícita o la exclusión o limitación de daños incidentales o por consecuencia, de modo que las limitaciones o exclusiones anteriores podrían no aplicarse a usted. Esta Garantía le otorga derechos legales específicos, sin embargo, usted también puede tener otros derechos que varían de un estado a otro.

INSTRUCCIONES DE SEGURIDAD

EL INCUMPLIMIENTO DE ESTAS INSTRUCCIONES PUEDE PROVOCAR LESIONES PERSONALES GRAVES Y DAÑO AL PRODUCTO.

Instrucciones generales

- PELIGRO. NO PERMITA QUE NIÑOS MENORES DE 18 AÑOS UTILICEN EL PRODUCTO.
- Concebido para uso doméstico y personal. Cualquier otro uso se interpretará como uso indebido, tal y como se establece en el presente documento.
- Sólo para uso en interiores. El uso del producto en el exterior se interpretará como uso indebido, tal y como se establece en el presente documento.
- Lea, guarde y siga atentamente las instrucciones.
- Preste atención a todas las advertencias.
- Nunca almacene ni guarde el equipo eléctrico en entornos lluviosos o húmedos. Almacenar el producto en condiciones anteriores se interpretará como negligencia, tal y como se establece en el presente documento.
- Desenchufe el aparato durante tormentas eléctricas o si no lo va a utilizar durante periodos largos de tiempo. Cualquier acción contraria a la descrita se interpretará como negligencia, tal y como se establece en el presente documento.
- Al realizar reparaciones, utilice únicamente piezas de repuesto idénticas a las originales. El uso de cualquier otra pieza se interpretará como alteración, tal y como se establece en el presente documento.
- No exponga el aparato a la luz directa del sol ni lo instale cerca de fuentes de calor, tales como radiadores, unidades de registro de calor, estufas u otros aparatos que produzcan calor. Cualquiera de las acciones descritas anteriormente se interpretará como uso indebido, tal como se establece en el presente documento.
- Limpie el aparato antes de usarlo por primera vez. La falta de limpieza del producto antes de su primer uso se interpretará como negligencia, tal y como se establece en el presente documento.
- NO ENCHUFE EL PRODUCTO SI NO ESTÁ COMPLETAMENTE APAGADO.
- NO GUARDE ALIMENTOS O LÍQUIDOS EN EL PRODUCTO.
- El aparato NO debe exponerse a goteos ni salpicaduras de agua. NO coloque ningún objeto sobre el aparato. Cualquiera de las acciones descritas anteriormente se interpretará como uso indebido, tal como se establece en el presente documento.

Instrucciones especiales

- Este manual de instrucciones tiene como objetivo familiarizarle con el funcionamiento del aparato. Consérvelo para futuras consultas.
- **SOLAMENTE UTILICE EL PRODUCTO DE ACUERDO CON SU USO PREVISTO.** Cualquier uso distinto será interpretado como uso indebido, tal y como se establece en el presente documento.
- **NO MODIFIQUE NI ALTERE EL PRODUCTO DE NINGÚN MODO.** Cualquier intento de modificación o alteración será interpretado como alteración, tal y como se establece en el presente documento.
- Trate el producto con cuidado. Puede averiarse si recibe golpes, impactos o caídas, incluso desde poca altura.
- Mantenga el aparato lejos de la humedad y del calor extremo. El incumplimiento de esta instrucción se interpretará como negligencia, tal y como se establece en el presente documento.
- No deje caer objetos de metal sobre el aparato.
- No coloque objetos pesados sobre el aparato.
- No cubra las ranuras de ventilación. El bloqueo de las ranuras de ventilación será interpretado como negligencia, tal y como se establece en el presente documento.
- Utilice únicamente los accesorios recomendados por el fabricante o un proveedor cualificado. El uso de accesorios no autorizados se interpretará como alteración, tal y como se establece en el presente documento.
- **NO PONGA EN MARCHA ESTE PRODUCTO SI HA SIDO DAÑADO O NO FUNCIONA CORRECTAMENTE.**

Piezas pequeñas / partes del embalaje (bolsas de plástico, cartón, etc.)

- Mantenga las piezas pequeñas (por ejemplo, tornillos y otros componentes del montaje, tarjetas de memoria, etc.) y las partes del embalaje fuera del alcance de los niños de modo que no puedan ingerirlas. No permita que los niños pequeños jueguen con las bolsas de plástico, existe riesgo de asfixia.

Transporte

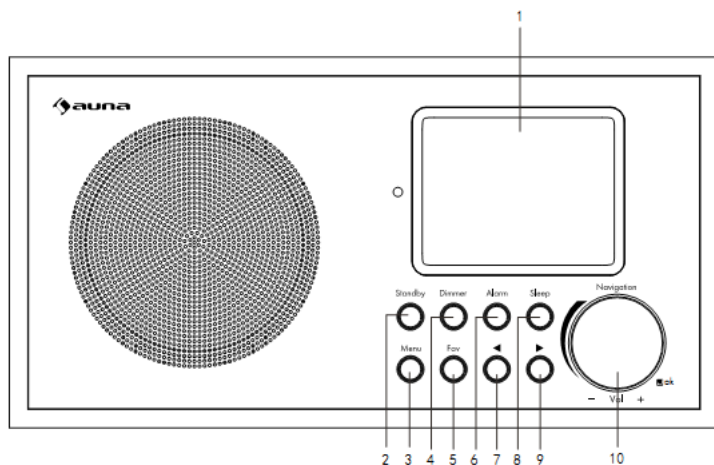
- Conserve el embalaje original. Para proteger el aparato durante el transporte, introdúzcalo en su embalaje original.

Limpieza de la superficie exterior

No utilice líquidos que se evaporen rápidamente, como sprays insecticidas. La superficie se puede dañar debido a una presión excesiva durante la limpieza. Las piezas de goma o plástico no deben estar en contacto con el dispositivo durante un periodo de tiempo prolongado. Utilice un paño seco.

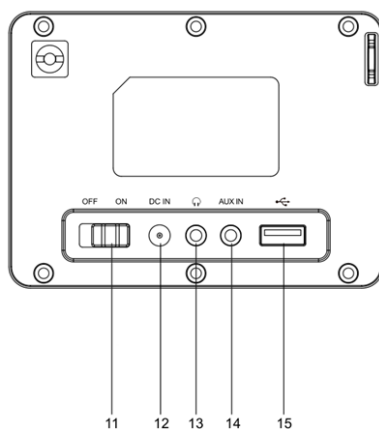
VISIÓN GENERAL DEL APARATO

Parte delantera



- | | | |
|-------------|----------------------|--------------------------|
| 1 Display | 5 Emisoras guardadas | 8 Modo noche |
| 2 Standby | 6 Alarma | 9 Adelante |
| 3 Menú | 7 Atrás | 10 Volumen+/
volumen- |
| 4 Atenuador | | |

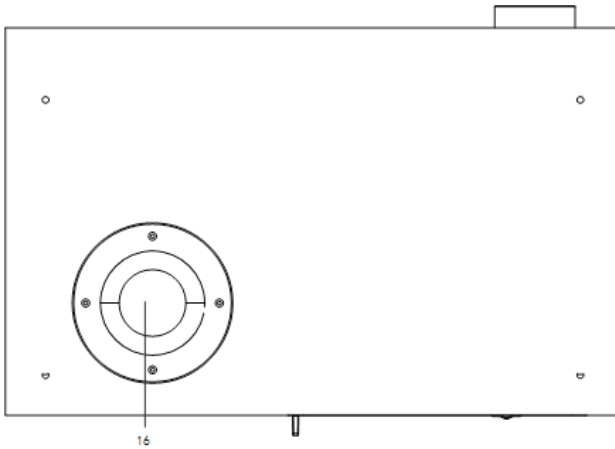
Parte trasera



- | | | | | |
|----|----|----|----|----|
| 11 | 12 | 13 | 14 | 15 |
|----|----|----|----|----|

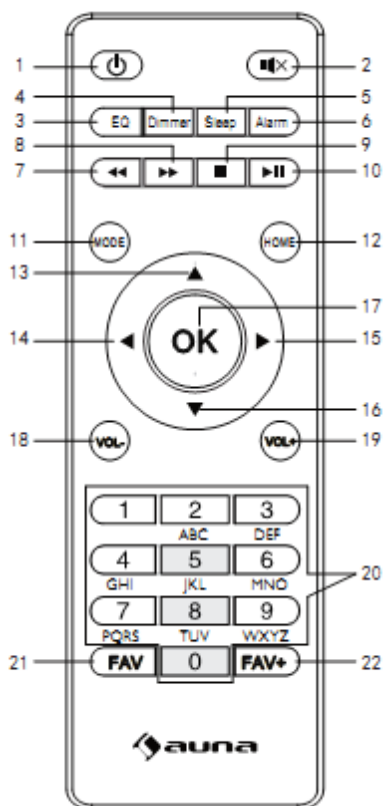
Parte trasera

- 11 Botón on/off
- 12 CC IN 12V: Toma para conectar la fuente de alimentación
- 13 Toma de auriculares (3,5 mm)
- 14 AUX IN: Entrada estéreo de audio (3,5 mm)
- 15 Conexión USB

Parte inferior

- 16 Tubo bass reflex

MANDO A DISTANCIA

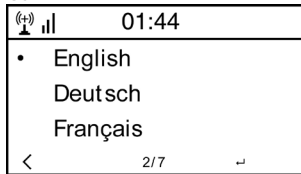


- | | | |
|---------------------------|-----------------------|--------------------|
| 1 Standby | 11 Modo | y letras |
| 2 Silencio | 12 Menú principal | 21 Acceder a las |
| 3 Ecualizador | 13 Cursor arriba | emisoras |
| 4 Atenuador | 14 Cursor a la | 22 Guardar emisora |
| 5 Función de | 15 Cursor a la | |
| repetición | derecha | |
| 6 Alarma | 16 Cursor abajo | |
| 7 Pista anterior | 17 OK: Confirmar | |
| 8 Pista siguiente | 18 Volumen - | |
| 9 Stop | 19 Volumen + | |
| 10 Reproducción/
pausa | 20 Introducir números | |

PUESTA EN FUCIONAMIENTO

- Compruebe en la placa técnica la tensión y asegúrese de que sea compatible con la del suministro eléctrico de su hogar antes de poner en marcha el aparato.
- Utilice la fuente de alimentación incluida para conectarlo a una toma de corriente doméstica.
- Encienda el aparato en la parte trasera pulsando el interruptor on/off.
- Si el aparato se inicia por primera vez, el sistema le requerirá configurar el idioma y la configuración de red. Puede configurar la conexión de red enseguida o más adelante.

Configuración de red

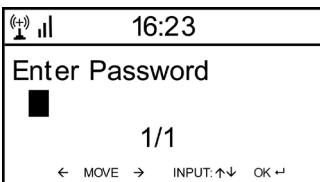
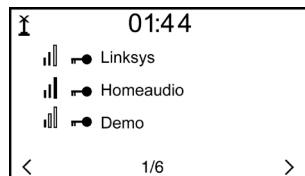
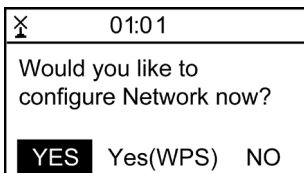


1. Configuración de red normal

Seleccione "Sí" para configurar la configuración de red normal.

Seleccione a continuación el punto de acceso necesario (AP) girando el regulador de navegación y pulsando OK con el mismo regulador.

Pulse > para seleccionar el siguiente carácter. En este paso, pulse el botón para ir a la izquierda y eliminar simultáneamente el carácter de la derecha. Cuando haya completado la contraseña, presione el regulador de navegación con OK para confirmar.



Están disponibles los siguientes caracteres para el aparato:

Números (0-9)

Letras latinas (A-Z, a-z)

Otros caracteres: (DEL, @, espacio, !, ", #, \$, %, &, *, ', + y (,)

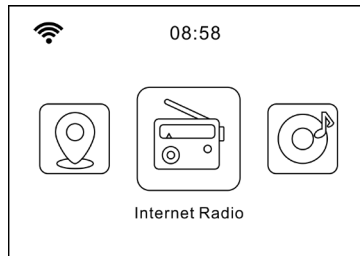
1. Configuración de red WPS PBC

Seleccione "Sí WPS" si desea realizar la instalación con una red inalámbrica (WPS PBC). Si utiliza un router con botón WPS, puede realizar fácilmente la configuración con la función WPS. Vaya a la configuración y mantenga pulsado el botón WPS durante 120 segundos. La conexión entre el router y el aparato se realizará automáticamente.

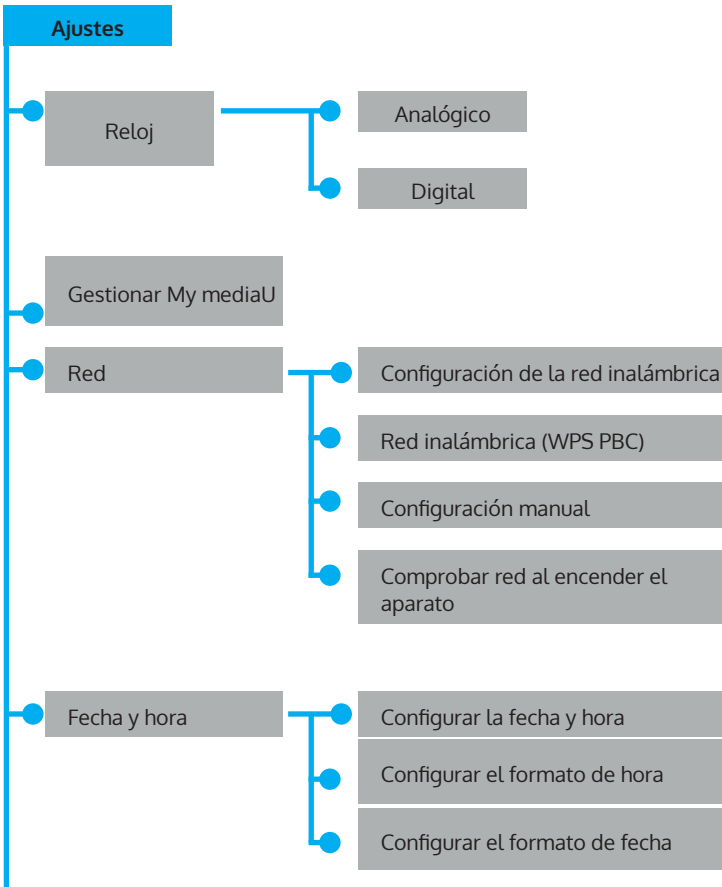
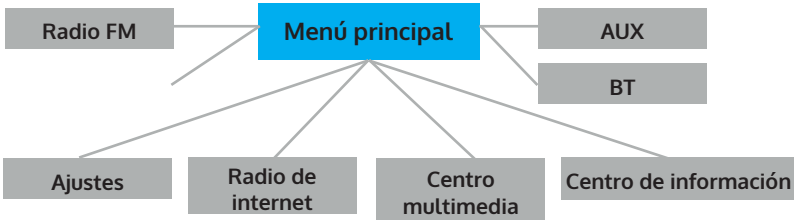
2. Sin configuración de red

Pulse "NO" si no desea configurar ahora la red.

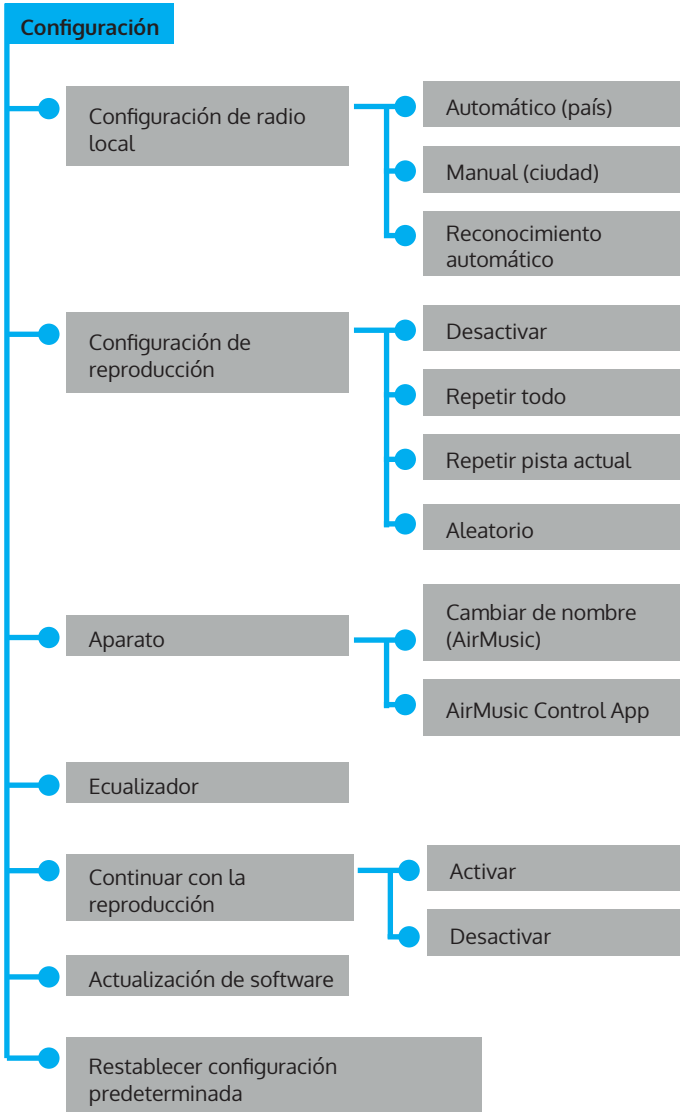
El establecimiento con éxito de la conexión con su W-lan lo confirma el aparato mostrando "Network OK". A continuación aparece el menú principal:

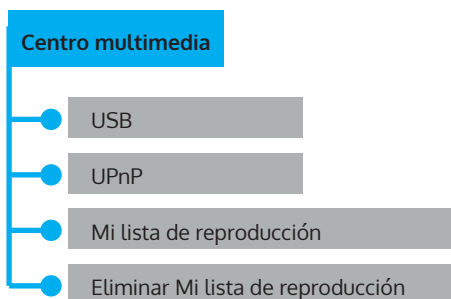
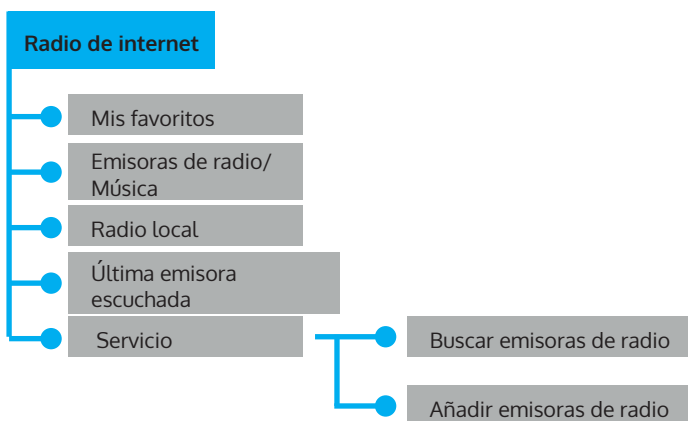


ESTRUCTURA DEL MENÚ

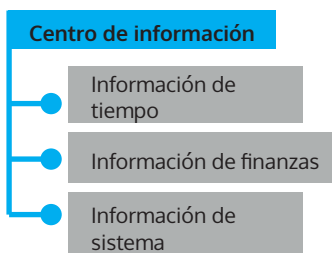








Radio FM



Radio FM

RADIO INTERNET

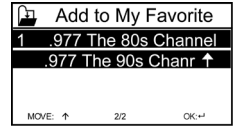
Pulse STANDBY para acceder al modo de funcionamiento. Gire la rueda de navegación para navegar por el menú principal. Pulse OK para acceder a los submenús o para confirmar los ajustes. Acceder con < al menú anterior.

Mis favoritos (lista de emisoras guardadas)

Soporta hasta 250 entradas con emisoras y carpetas. Si en el display aparece la reproducción de la emisora, mantenga pulsado el botón FAV en el mando a distancia para guardarla. Puede reemplazar las emisoras anteriormente guardadas por otras nuevas.

Cuando haya guardado la emisora, no podrá guardarla de nuevo. Las emisoras guardadas aparecen en este menú. También puede pulsar FAV para acceder a la lista de las emisoras guardadas. Con el campo numérico del mando a distancia puede acceder a las emisoras guardadas.

Acceda a la emisora deseada desde la lista de las emisoras guardadas. Para reproducirla, pulse OK en el mando a distancia. Con >, vaya al submenú para eliminar emisoras, para navegar arriba o abajo, para renombrarlas, para reproducirlas o para utilizarlas como alarma.



Emisora de radio / música

Las emisoras están categorizadas por Top20 mundial, género, país/ubicación (África, Asia, Oriente próximo, América del Norte, Oceanía/Pacífico y Sudamérica). Seleccione para acceder a las subcategorías y escuchar las emisoras.

Pulse OK para la emisora correspondiente (en el aparato o en el mando a distancia) para reproducirla. Seleccione el botón > para acceder a las subcategorías.

Para acceder al submenú, pulse >. Si selecciona "Auto Scan", se añade una reproducción breve de la emisora en la subcategoría. Cada emisora se reproducirá durante 30 segundos hasta que todas las emisoras se hayan escuchado o pulse OK para finalizar con el análisis breve. Con > puede visualizar la información de la emisora.

Estación local (radio local)

Las emisoras están clasificadas según país/ubicación utilizando la radio.

Radio en modo noche

Seleccione pájaros, piano, lluvia, baño mineral, viaje espacial y olas como funciones para dormir.

Últimas emisoras escuchadas

Seleccione las 10 últimas emisoras guardadas.

Servicio

Con una palabra clave, busque las emisoras de la lista. Añada una nueva radio introduciendo la dirección IP. Las emisoras añadidas se guardan en la lista "MyFavorite". Recuerde que el número mayor de caracteres para el nombre de la emisora es de 250.

CENTRO DE MEDIOS

Seleccione el modo USB/UPnP o el modo Playlist con el regulador de navegación.

UPnP

Si ha configurado un servidor UpnP, puede visualizar los medios recibidos a través de UpnP. Si tiene más de un ordenador que comparte elementos multimedia, se mostrarán las alternativas.

Seleccione el archivo compartido que desea reproducir. Utilice los botones Reproducción/Pausa (8,7) y Stop (9). Pulse el botón de la flecha derecha (15) para mostrar la información en el display.

Nota: La radio solo puede mostrar la pista con menos de 40 caracteres. Los caracteres deben estar incluidos en el alfabeto latino. Si se produce un fallo de lectura en una pista en modo UpnP, intente renombrar el archivo. Si el archivo no se puede reproducir, intente convertirlo a otro formato diferente.

USB

Aquí se crean los menús de la carpeta del dispositivo de almacenamiento USB. Navegue por las carpetas con el regulador de navegación o las flechas de dirección del mando a distancia. En el display aparecen la carpeta y el nombre del archivo (no tiene por qué ser el nombre de la pista). Cuando haya encontrado una pista que desea escuchar, pulse OK.

Nota: La conexión USB no es compatible con la función de carga ni con el intercambio de archivos con un PC.

Mi lista de reproducción

Puede crear una lista de reproducción con favoritos de UpnP. Si reproduce la música, mantenga pulsado OK para guardarla en su lista de reproducción.

Vaciar mi lista de reproducción

Seleccione este punto para vaciar su lista de reproducción.

My mediaU

Vaya a la página de internet <http://www.mediayou.net/>. Cree una cuenta mediaU. Inicie sesión en la página web. Introduzca la dirección MAC de la radio de internet en la página de internet. Obtendrá esta información en el "Centro de información > Información del sistema > información de red inalámbrica.

Si se ha configurado el sistema correctamente, podrá guardar y visualizar la lista de reproducción de su propia emisora mediaU. No tiene que introducir el nombre de usuario y la contraseña en el aparato.

Si se guardan varias cuentas en el aparato, puede seleccionar la cuenta utilizada actualmente en la configuración. En la página de internet puede guardar las emisoras y clasificarlas por las emisoras de radio favoritas, lugar/género o añadirlas manualmente. Las emisoras se pueden ver en MyMedia de su radio.

CENTRO DE INFORMACIÓN

Información meteorológica

Existe información meteorológica para más de 2000 ciudades. Seleccione el país y luego la ciudad para ver la previsión meteorológica. Con los botones < / > puede ver el parte meteorológico. En modo standby el aparato también muestra la previsión. Pulse el botón OK en la página de la información meteorológica para visualizar la previsión para una ciudad. Configure la visualización del tiempo.

Información bursátil: Consultar la bolsa.

Información del sistema

Vea las características de los dispositivos conectados a la red. La información incluye la dirección MAC que ha introducido en el registro de "my mediaU".

AJUSTES

Visualización de la hora	analógica, digital
MyMediaU	Cuando está activada MyMediaU, aparece en el menú principal una entrada. Si se han creado distintas cuentas en la radio de internet, seleccione la cuenta estándar.
Red	<p>Configuración de la red Activar o desactivar WLAN: Si selecciona WLAN, el sistema escoge automáticamente el punto de acceso necesario. Introduzca la clave WEP o WPA para establecer la conexión WLAN.</p>
	<p>Red inalámbrica (WPS PBS): Si utiliza un router con botón WPS/QSS, puede realizar fácilmente la configuración de la red con la función WPS. Vaya al menú correspondiente y pulse durante 120 segundos el botón WPA/QSS en su router. La conexión entre el router y el aparato se realizará automáticamente.</p>
	<p>Configuración manual: Puede seleccionar DHCP (la IP se asigna automáticamente) o asignar manualmente la dirección IP. Si realiza los ajustes para la red LAN conectada por cable manualmente, realice los siguientes pasos. SSID (nombre del punto de acceso), dirección IP, máscara de subred, puerta de acceso estándar, servidor DNS predeterminado, servidor DNS alternativo.</p>
	<p>Comprobación de red con el aparato encendido: Activar o desactivar la red WLAN. Si activa la red inalámbrica, el sistema busca automáticamente puntos de acceso disponibles.</p>
Fecha y hora	<p>Ajustar fecha y hora Configure el formato de 12 o 24 horas.</p> <p>Configuración de la fecha (YYYY/MM/DD; DD/ MM/YYYY; MM/DD/YYYY) (Y = año; M = mes; D = día)</p> <p>Configuración de horario de verano (cuando está encendido (ON), la hora es +1). Cuando el horario de verano está apagado (OFF), aparece la hora actual.</p>

Despertador (Alarma)	<p>Hay 3 alarmas independientes: 2 alarmas para una hora fija configurada (Alarma 1, Alarma 2) y una alarma de repetición. Pulse ALARM en el mando a distancia para acceder directamente al menú de configuración.</p> <p>Cuando se configura la fuente para el tono de alarma de la radio de internet, se utiliza la emisora predeterminada. Para la Alarma 1 y la Alarma 2 solo se puede seleccionar la misma emisora. Cuando llegue la hora de la alarma, el aparato se conecta a internet (siempre que exista una red configurada disponible). Por ello, puede producirse un ligero retraso en la hora de la alarma para reproducir la emisora de radio. Si no se establece ninguna conexión en el plazo de un minuto, el tono del despertador pasa a melodía.</p> <p>Si la alarma de repetición está configurada, suena un tono de alarma una vez cada 5/10/20/30/60/90/120 minutos, en función de lo que haya seleccionado.</p>
Temporizador	Temporizador de cuenta atrás (máx. 100 min)
Idioma	English /Deutsch / Espanol /Francais / Portugese / Nederlands / Italiano / Pyccknn / Svenska / Norske / Dansk / Magyar /Cesky /Slovensky / Polski / Turkce / Suomi
Atenuador	Modo ahorro de energía/encender
Pantalla	A color/ monocromática
Ajustes de energía	Configurar el funcionamiento automático en standby si el aparato se encuentra en el menú o sin configuración WLAN. Seleccione el tiempo de apagado (5/15/30 minutos) para configurar la duración después de que el aparato pase al modo standby automáticamente cuando no se pulse ninguna tecla.
Temporizador de apagado	Configure el temporizador de apagado para 15/ 30/ 60/ 90/ 120/ 150/ 180 minutos. Si el temporizador de apagado está configurado, aparece el símbolo de una cama con los minutos restantes en la esquina superior derecha. Cuando transcurra el tiempo, el aparato entra en modo standby. En el mando a distancia, pulse el botón correspondiente de selección rápida.
Sintonización FM	El modo (estéreo/mono) y la sensibilidad de la radio FM se pueden regular fácilmente.

Configuración de emisoras locales	En el menú de la radio de internet aparece la entrada "radio local". Puede establecer manualmente la ubicación en este menú o dejar que el sistema detecte automáticamente la ubicación mediante la IP.
Configuración de reproducción	Seleccione el modo de reproducción del centro de medios: OFF (no hay repetición ni reproducción aleatoria), repetir todas, una pista se repite de manera, aleatoria
Dispositivo	Nombre DLNA predeterminado para el aparato. Puede renombrar el aparato para la configuración DLNA en el PC o dispositivo móvil.
Ecuilizador	El ecualizador predeterminado es "normal". Puede elegir entre Flat, Jazz, Rock, Soundtrack, Classical, Pop, News o "my EQ". Pulse EQ en el mando a distancia para cambiar entre los distintos modos del EQ.
Continuar con la reproducción	El sistema está ajustado de fábrica para que la reproducción de la radio de internet o la reproducción del centro de medios continúe cuando vuelva a encender el aparato. Si desactiva este ajuste, el aparato regresará al menú principal al encenderse.
Actualización de software	Actualizar software. Si existe un software actualizado del sistema, el sistema le avisará. Asegúrese de que el enchufe se conecte a una toma de corriente compatible antes de la actualización del sistema. Una interrupción del suministro eléctrico durante una actualización puede provocar un daño permanente del aparato.
Restablecer los valores de fábrica	Restablecimiento de los valores de fábrica. Después de restablecer el aparato, el sistema comienza con la selección del idioma.

DNLA / UPnP

Puede modificar los nombres DLNA como desee. La información más abajo es una introducción de la transmisión de medios desde el PC o de otros servidores de medios. Lea las instrucciones del software o la app que utilice para la reproducción de medios. Los archivos de música deben estar en los formatos MP3, WHA, WAV o AAC.

UPnP

Conecte su PC a la red. La radio debe estar encendida.

Abra la plataforma UPnP (p. ej. el Windows Media Player a partir de la versión 11, otra plataforma o un servidor como la plataforma de Windows Media). Dé su autorización para que los medios se compartan con la radio de internet.

Añada los archivos de audio de su teléfono móvil. También puede transmitir desde otras fuentes, como smartphones (Android). Conecte el aparato a la red. Busque e instale las app de transmisión de medios de la Google Play Store. Añada los archivos de audio de su teléfono móvil que desea compartir en la red. Tras la configuración del servidor común, seleccione la música y controle la reproducción en la radio de internet.

DLNA

Además de UPnP, el dispositivo es compatible con la función DLNA.

Comparta archivos de audio con el PC o con un dispositivo Android móvil. Controle la reproducción de medios a través de su Pc o su smartphone de Android. No es necesario controlar cada reproducción en el teléfono móvil. Los requisitos del sistema para el PC son de Windows 7 o superior y de Windows Media Player 12 o superior.

Comparta primero los medios de su PC con la radio: Control del sistema/ todos los elementos de control de sistema y centro de autorización/ opciones de transmisión de medios.

Abra el reproductor de Windows Media para permitir el control remoto para el reproductor.

Haga clic en la pista en la biblioteca musical con el botón derecho del ratón y seleccione la pista para reproducir a través de la radio ("Play to Radio").

Aparece una ventana para controlar la reproducción en la radio. Si utiliza un smartphone de Android o iPhone, puede utilizar cualquier app DLNA comercial de la Google Play Store o App Store. Especialmente, las app bubble UpnP (android) y Twonky Beam (Android, iOS) son recomendables. Algunas app no funcionan con iPhone o iPod. Siempre puede utilizar el iPhone o iPod para controlar la transmisión desde otros servidores.

Tenga en cuenta: Si utiliza la función de transmisión DLNA en la radio de internet, puede controlar en el aparato solamente el volumen y el modo reposo. El resto de funciones de control estarán inutilizadas. Finalice el DLNA en el PC o dispositivo móvil antes de realizar el control del aparato de nuevo.

Control app a través de Air Music Control

Puede controlar la radio de internet a través de su smartphone o tablet.

Para ello, descargue la app "Air Music Control" de la "Google Play Store" o de la "Apple AppStore".

Los dispositivos deben estar conectados a la misma red.

ENTRADA

En funcionamiento Aux, se reproducen fuentes de audio externas, como el reproductor MP3.t

Reproducir a través de la entrada AUX

Para reproducir a través de la entrada AUX, reduzca el volumen de ambos dispositivos (en caso de que esté disponible en el dispositivo externo). Conecte la fuente de audio externa al AUX IN (conector RCA de 3,5 mm). Pulse MODE hasta que aparezca AUX IN en el display. Como alternativa, pulse AUX en el menú principal. Regule el volumen de la radio (y, si fuera necesario, en el dispositivo de la fuente de audio).

BT

Pulse MODE hasta que en el display aparezca BT o seleccione BT en el menú principal. Suena el tono de búsqueda BT. Busque en la configuración BT del dispositivo externo el nombre de "Silver Star Stereo". Haga clic para sincronizar. Suena el tono de sincronización. Puede reproducir música a través del BT. Regule el volumen a través de la radio o del aparato externo.

RADIO FM

Seleccione FM con el regulador de navegación o el mando a distancia en el menú principal. Tras la selección, se inicia el funcionamiento de la radio en 87,5 Mhz. Para guardar todas las emisoras con una señal potente, pulse el regulador de navegación. En el display aparece "¿Búsqueda automática?". Seleccione "Sí". A continuación, comienza la búsqueda automática de emisoras. Cuando haya finalizado la búsqueda de emisoras, estas se guardan en favoritas.

Puede navegar entre las emisoras guardadas. Mantenga pulsados los botones < o >.

Para controlar manualmente las frecuencias, pulse los botones < o > para avanzar o retroceder en las frecuencias.

Guardar emisora

Guardar emisoras manualmente

1. Seleccione una emisora que desea guardar.
2. Mantenga pulsado el botón FAV durante 1-2 segundos. Aparece "01" en el display. Navegue con el regulador de navegación por los espacios de memoria. Pulsando el regulador de navegación, seleccione un espacio de memoria (1-99).

Acceder a las emisoras

Acceda a la emisora guardada pulsando el botón FAV y girando el regulador de navegación en la lista de emisoras.

RESOLUCIÓN DE PROBLEMAS

Problema	Procedimiento/causa
<p>No se puede establecer la conexión WLAN.</p>	<p>Asegúrese de que la radio y un ordenador conectado a la red (que tenga una conexión a internet funcional) estén registrados en la misma red.</p> <p>¿Hay un servidor DHCP disponible o ha introducido una dirección IP estática?</p> <p>¿Se ha configurado un cortafuegos que haya bloqueado puertos de entrada?</p> <p>Muchos puntos de acceso/ repetidores/ router pueden configurarse de tal modo que los aparatos solo se conecten con direcciones MAC registradas. Consulte el manual de su equipo WLAN y añada la dirección MAC de la radio en caso necesario a la lista de "permitidos" del punto de acceso.</p> <p>Asegúrese de que haya introducido la contraseña correcta (con WLAN encriptadas/ protegidas). Recuerde escribir bien la contraseña.</p> <p>Si su WLAN está "oculta" (una posible configuración en muchos routers), introduzca el nombre de la red manualmente en la radio de internet. Vaya para ello al menú de configuración -> Red -> Configuración manual -> Red inalámbrica -> Introducir SSID.</p>
<p>La radio está conectada a internet pero algunas emisoras no se reproducen.</p>	<p>Quizás la emisora se encuentre en otra franja horaria y no esté emitiendo. Hay muchos usuarios que intentan sintonizar la emisora y su capacidad/ ancho de banda no es suficiente. El enlace ha caducado/ ya no existe. La emisora (ya) no existe.</p>
<p>No puede encontrar ningún dispositivo UpnP o no se encuentra el ordenador que busca.</p>	<p>No se ha registrado en la red (véase más arriba). Se ha instalado un cortafuegos y se ha configurado para que los archivos compartidos no estén disponibles para aparatos externos. La radio no está registrada en el mismo grupo de trabajo o dominios que el ordenador correspondiente.</p>
<p>No puede autorizar ninguna carpeta UpnP porque la función no está disponible (gris).</p>	<p>Active la compartición de archivos.</p>

Error de búsqueda	Es posible que se produzca un error cuando la radio de internet busca carpetas en un Pc, por ejemplo, porque la aplicación de compartición de archivos de Windows no esté disponible. Conecte el ordenador a la red por cable para aumentar notablemente la velocidad de la búsqueda.
Buffering infinito	Con una elevada tasa de interrupciones en la transmisión o una conexión no segura, puede ocurrir que el IR-6 no salga del "buffering", es decir, de la memoria intermedia de la transmisión. Compruebe la conexión de la red, módem e internet y póngase en contacto con su proveedor de internet si fuera necesario.

