

ALPENA BriteWhip LED

PART #: 7747B

WARNING: THE FAILURE TO FOLLOW THESE INSTRUCTIONS WHEN INSTALLING THE BRITEWHIP LED MAY CAUSE ELECTRIC PROBLEMS IN YOUR VEHICLE WHICH COULD CAUSE VEHICLE DAMAGE, ELECTRICAL SYSTEM DAMAGE, FIRE, ELECTRICAL SHOCK, PERSONAL INJURY OR DEATH.

WARNING: DO NOT LOOK DIRECTLY INTO THE BRITEWHIP LED. DO NOT DRIVE OR POSITION YOUR VEHICLE NEAR ONCOMING TRAFFIC WHEN THE DASHLITZ IS POWERED ON – DOING SO MAY RESULT IN VISION IMPAIRMENT AND OR VEHICULAR COLLISION. THE INTENDED USE OF THE BRITEWHIP LED IS TO PROVIDE EXTERIOR AUXILIARY AND OR POSITION LIGHTING FOR OFF ROAD USE ONLY. THIS PRODUCT IS NOT DOT APPROVED.

YOU MUST CONSULT YOUR VEHICLE OWNER'S MANUAL TO DETERMINE THE LOCATION OF AIRBAG SENSORS BEFORE INSTALLATION. THE MANUFACTURER OR THE RETAILER IS NOT RESPONSIBLE FOR INFLATION OF AIRBAGS OR DAMAGE TO AIRBAG SENSORS DUE TO THE INSTALLATION OF THIS PRODUCT.

INSTALLATION GUIDELINE

WARNING: SAFETY GLASSES MUST BE USED WHEN INSTALLING THIS PRODUCT.

BriteWhip LED is an auxiliary and or position light designed to provide exterior auxiliary, position and accent lighting while driving off road. BriteWhip LED has a distinct amperage draw below in the installation instructions. If you are not confident in your ability to install the BriteWhip LED please consult a licensed mechanic.

BriteWhip LED has specific voltage and amperage ratings for power input and amperage draw. ENSURE THESE RATINGS ARE FOLLOWED. The BriteWhip LED must be installed in a properly functioning vehicle electrical system. Do not install this product in a malfunctioning vehicle electrical system.

Select a mounting location that will not obstruct the operation of instruments.

Clean mounting surfaces before installing units using water or a 50/50 mix of water and rubbing alcohol.

Before permanently mounting to vehicle, test fit to ensure wiring is long enough to be safely installed and does not obstruct any operating functions of the vehicle. These lights should not be installed where their operation hinders the visibility of the driver or other drivers

WARNING: DURING OPERATION LIGHTING UNITS CAN GET HOT - DO NOT TOUCH WHILE OPERATIONAL OR WITHIN 30 MINUTES OF POWERING DOWN.

You must consult your vehicle owner's manual to determine the location of airbag sensors before installation. The manufacturer or the retailer is not responsible for inflation of airbags or damage to airbag sensors due to the installation of this product.

Before disconnecting battery terminals, please check your owner's manual for proper procedure.

GET STARTED

WARNING



BE SURE TO USE SAFETY GLASSES AT ALL TIMES WHEN INSTALLING THIS PRODUCT.



1X

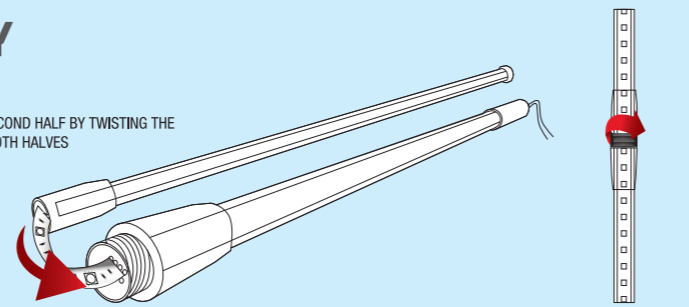


1X

PACKAGE CONTENTS

1. ASSEMBLY

ATTACH THE BASE OF THE WHIP TO THE SECOND HALF BY TWISTING THE THREADS TOGETHER GENTLY, ENSURING BOTH HALVES ARE SECURELY ATTACHED

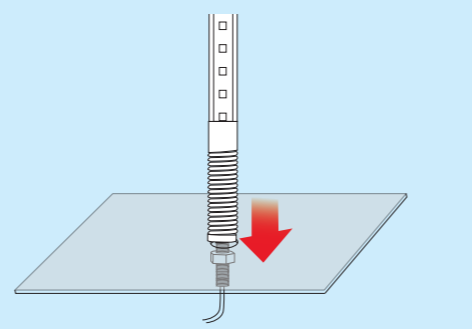


2. MOUNTING

MOUNT THE UNIT TO THE DESIRED MOUNTING LOCATION. IT IS RECOMMENDED TO CLEAN THE SURFACE OF ALL CONTAMINANTS PRIOR TO DRILLING ANY HOLES OR MOUNTING.

A) IF THE DESIRED SURFACE HAS AN ADEQUATE MOUNTING HOLE, PLACE THE UNIT FLUSH WITH THE SURFACE, THREADING THE MOUNTING BOLT IN THE BRACKET THROUGH THE HOLE AND THEN TIGHTEN WITH INCLUDED WASHERS AND NUT

B) DRILL A 3/8" OR 10MM HOLE IN THE SELECTED MOUNTING LOCATION IF THERE IS NO EXISTING HOLE. PLACE THE UNIT FLUSH WITH THE SURFACE, THREADING THE MOUNTING BOLT IN THE BRACKET THROUGH THE HOLE AND THEN TIGHTEN WITH INCLUDED WASHERS AND NUT

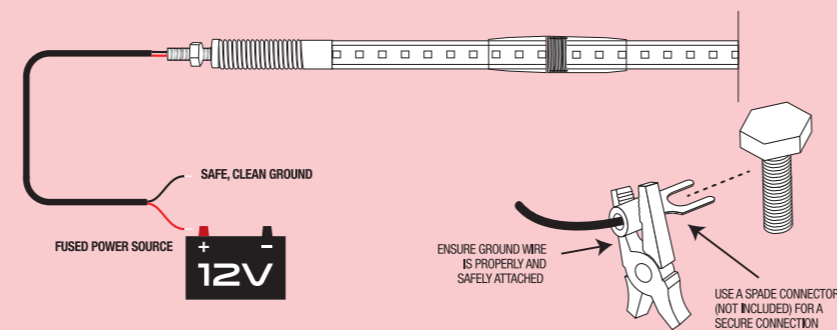


3. WIRING

| POWER REQUIREMENTS | 0.7A @ 12V DC | 0.35A @ 24V DC |
|--------------------|---------------|----------------|
|--------------------|---------------|----------------|

3. ATTACH POSITIVE WIRE SECURELY TO A 12-24V FUSED POWER SOURCE. EXTENSION OF THE WIRING MAY BE NECESSARY. CAN BE WIRED INTO A SWITCH THAT WILL SUPPORT 0.7A @ 12V DC / 0.35A @ 24V DC.

4. ATTACH BLACK GROUND WIRE TO A SAFE, CLEAN GROUND LOCATION.



4. OPERATION

THE PODS CAN BE OPERATED WITH OR WITHOUT THE VEHICLE RUNNING - FOLLOW THE DIAGRAM TO OPERATE THE INCLUDED REMOTE

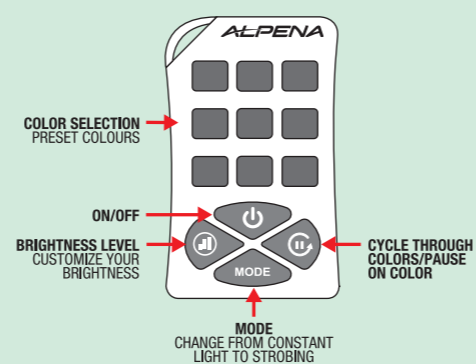
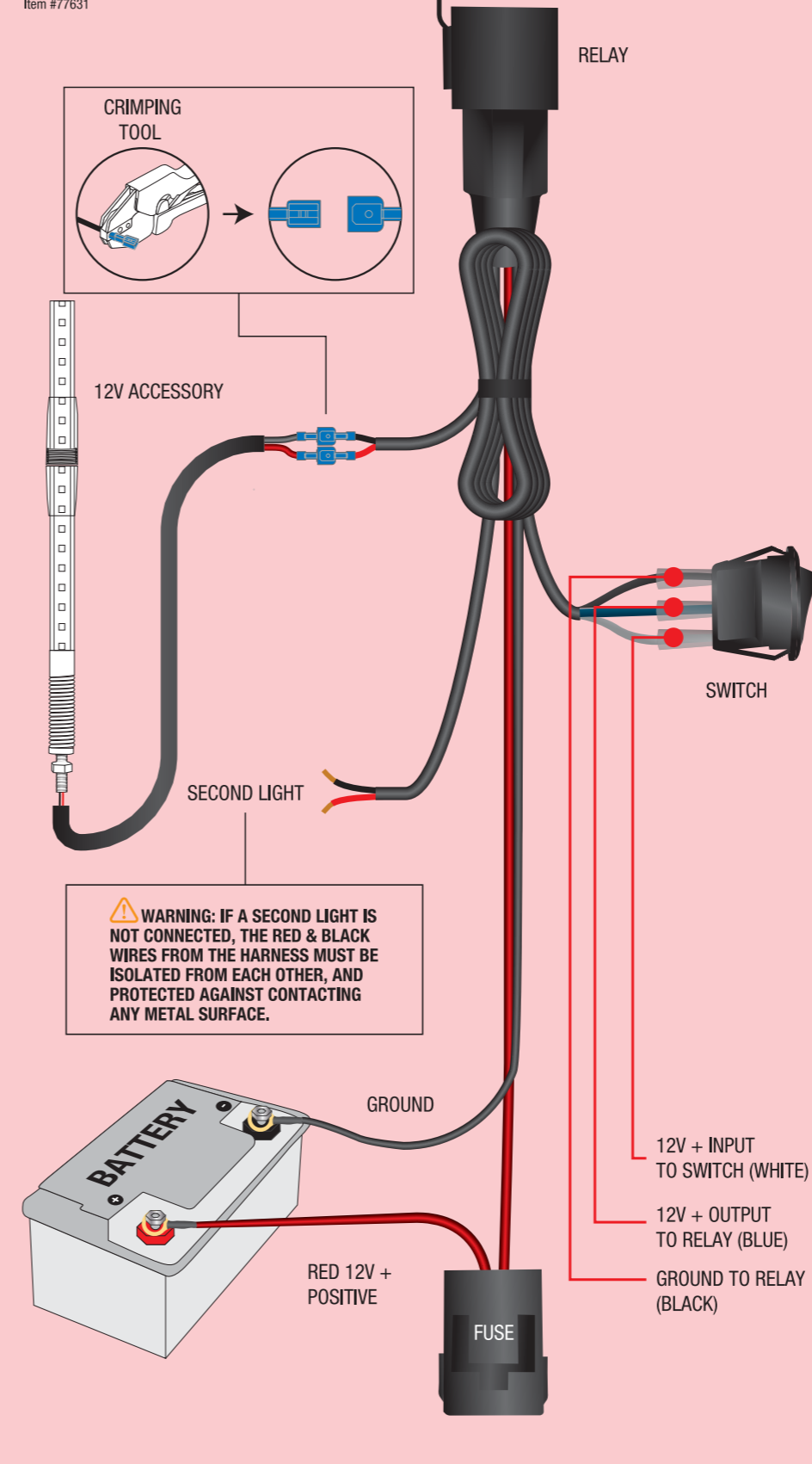


FIGURE 1. RELAY WIRING DIAGRAM

INSTALLKIT PLUS

Used for Demonstration, not included.
Item #77631



Federal Communications Commission (FCC) Interference Statement

This equipment has been tested and found to comply with the limits for a Class B digital device, pursuant to Part 15 of the FCC Rules.

These limits are designed to provide reasonable protection against harmful interference in a residential installation. This equipment generates, uses and can radiate radio frequency energy and, if not installed and used in accordance with the instructions, may cause harmful interference to radio communications.

There is no guarantee that interference will not occur in a particular installation. If this equipment does cause harmful interference to radio or television reception, which can be determined by turning the equipment off and on, the user is encouraged to try to correct the interference by one of the following measures:

- Reorient or relocate the receiving antenna.
- Increase the separation between the equipment and receiver.
- Connect the equipment into an outlet on a circuit different from that to which the receiver is connected.
- Consult the dealer or an experienced radio/TV technician for help.

This device complies with Part 15 of the FCC Rules. Operation is subject to the following two conditions:

(1) This device may not cause harmful interference, and (2) this device must accept any interference received, including interference that may cause undesired operation.

FCC Caution: Any changes or modifications not expressly approved by the party responsible for compliance could void the user's authority to operate this equipment.

RF exposure warning

This equipment complies with FCC radiation exposure limits set forth for an uncontrolled environment. The equipment must not be co-located or operating in conjunction with any other antenna or transmitter.

ALPENA® LIMITED WARRANTY

This Limited Warranty covers defects in materials or workmanship of this product for one (1) year from the date of purchase. Normal wear and tear over time are not product defects. Product problems caused by not following the product instructions, abuse, misuse, alteration, accident and/or use beyond the product's intended purpose are not covered. This warranty is valid for the original owner and is not transferable. Proof of purchase is required.

Any implied warranties and conditions, such as merchantability and fitness for a particular purpose are hereby excluded, or if not excludable under law, are limited to one (1) year period. Some jurisdictions do not allow limitations on how long an implied warranty lasts, so this limitation may not apply to you

NO INCIDENTAL, CONSEQUENTIAL OR SPECIAL DAMAGES ARE RECOVERABLE. SOME JURISDICTIONS DO NOT ALLOW THE EXCLUSION OF INCIDENTAL, CONSEQUENTIAL OR SPECIAL DAMAGES. SO THE ABOVE LIMITATION OR EXCLUSION MAY NOT APPLY TO YOU. THIS WARRANTY GIVES YOU SPECIFIC LEGAL RIGHTS AND YOU MAY HAVE OTHER RIGHTS WHICH VARY DEPENDING ON THE JURISDICTION.

We will replace any product we determine to be defective provided you follow our product return directions. Please note that replacement product may not be exact due to style changes to our products. We will cover the mailing expense to send you a replacement product. However, mailing costs to return to us the original product which is claimed to be defective must be paid by you. If a replacement product is not available at the time you submit your warranty request, we will issue a credit.

For warranty service, please see below.

Problems? We can solve them!

1-800-387-3217

feedback@alpena.ca

www.alpena.ca



AlpenaAutomotive



AlpenaAutomotive

Problems? We can solve them!
1-800-387-3217 - feedback@alpena.ca

IC Caution:

This device complies with Industry Canada's licence-exempt RSSs. Operation is subject to the following two conditions:

- (1) This device may not cause interference; and
- (2) This device must accept any interference, including interference that may cause undesired operation of the device.

The device has been evaluated to meet general RF exposure requirement. The device can be used in portable exposure condition without restriction.

Le présent appareil est conforme aux CNR d'Industrie Canada applicables aux appareils radio exempts de licence. L'exploitation est autorisée aux deux conditions suivantes:

- (1) l'appareil ne doit pas produire de brouillage, et
- (2) l'utilisateur de l'appareil doit accepter tout brouillage radioélectrique subi, même si le brouillage est susceptible d'en compromettre le fonctionnement.

L'appareil a été évalué pour répondre aux exigences générales d'exposition RF. L'appareil peut être utilisé dans des conditions d'exposition portables sans restriction.