

ALPENA™ TOUGHPODS RGB™ MC

⚠ WARNING THE FAILURE TO FOLLOW THESE INSTRUCTIONS WHEN INSTALLING THE LED DEVICE MAY CAUSE ELECTRICAL PROBLEMS IN YOUR VEHICLE WHICH COULD CAUSE VEHICLE DAMAGE, ELECTRICAL DAMAGE, FIRE, ELECTRICAL SHOCK, PERSONAL INJURY OR DEATH.

⚠ AVERTISSEMENT NE PAS SUIVRE CES INSTRUCTIONS LORS DE L'INSTALLATION DES DISPOSITIF DEL PEUT CAUSER DES PROBLÈMES ÉLECTRIQUES DANS VOTRE VÉHICULE. DES DOMMAGES AU SYSTÈME ÉLECTRIQUE, UN INCENDIE, UN CHOC ÉLECTRIQUE, DES BLESSURES CORPORELLES OU LA MORT.

INSTALLATION GUIDELINE

This product has a distinct amperage draw and power input rating below the installation instructions. THIS RATING MUST BE FOLLOWED. If you are confident in your ability to install the LED ToughPods, please consult a licensed mechanic. The product must be installed in a properly functioning vehicle electrical system. Do not install this product in a malfunctioning vehicle electrical system. Do not modify the product or wiring that is not intended in the instructions below.

Ces lampes sont conçues pour donner un accent et un éclairage auxiliaire, pour l'utilisation sur sentiers seulement. Ce produit n'est pas approuvé par le ministère des Transports.

The intended use of these pods is to provide accent lighting for off-road use only. This product is not DOT approved.

WARNING Safety glasses must be used when installing this product.

LED ToughPods RGB™ Power Rating: Please consult the amperage draw table (fig. 1)

INSTALLATION INSTRUCTIONS: 12 VOLT USE ONLY. POWER SOURCE MUST BE CAPABLE OF A 5A DRAW

For best results, temperature at installation should be between 65-90°F (18-32°C).

- Clean mounting surfaces for the control box. Adhesive will not function properly if any surface contaminants such as oil, wax, or dirt are present.
- Test fit product into desired location. It is recommended to mount the receiver box near a fused power source capable of 5A. DO NOT mount directly to excessive heat sources. Ensure any planned wiring routes do not interfere with the operation of any operational components or any moving parts.
- Secure the control box & any excess wiring using the included additional fasteners.
- NOTE: Cable ties or other fasteners may be used to loop through the mounting holes in the unit and rubber gasket to ensure the LED pods are secure. When the desired mounting location is determined, drill holes to unit, within the included rubber gasket, to the surface using the included permanent procedure.
- Before connecting to power, ensure all connections are secure.
- Take the stripped red wire from the receiver box and connect it to a positive fused power source capable of a 5A draw and connect black wire to a safe, clean ground source.
- Power on vehicle and test operation.

WARRANTY

The manufacturer warrants the LED ToughPods RGB product when they are properly installed, connected, and operated for a period of 1 year from the date of purchase. The warranty is void and neither the manufacturer nor the retailer is responsible for any product failure, damage, or injury if these instructions are not strictly followed.

GARANTIE

Le fabricant garantit les produits LED ToughPods RGB lorsqu'ils sont installés, connectés et fonctionnant correctement, pour une période de 1 an à partir de la date d'achat. La garantie est annulée et ni le fabricant ni le détaillant ne sera tenu responsable pour toute défaillance ou dommage du produit, dommages ou blessures si ces instructions ne sont pas suivies strictement.

GET STARTED

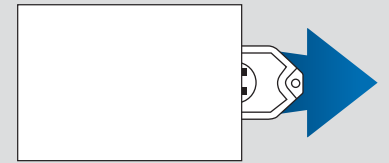
⚠ WARNING



BE SURE TO USE SAFETY GLASSES AT ALL TIMES WHEN INSTALLING THIS PRODUCT.

INSTALLATION INSTRUCTIONS

- REMOVE UNIT & INCLUDED HARDWARE FROM PACKAGING.



MOUNTING

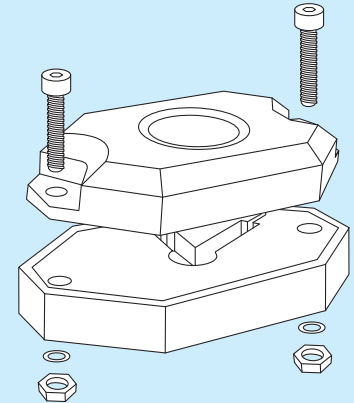
- ASSEMBLE BRACKET.

A) SLIDE THE 2 OPEN ENDS OF THE BRACKET INTO PLACE IN THE OUTERMOST HEATSINK GAPS ON THE REAR OF THE UNIT.

B) SECURE THE BRACKET TO THE UNIT BY INSERTING THE LOCK WASHER

C) INSERT BOLTS INTO SIDE OF UNIT ENSURING EACH BOLT SLIDES THROUGH THE BRACKET AND MATES WITH THE NUT.

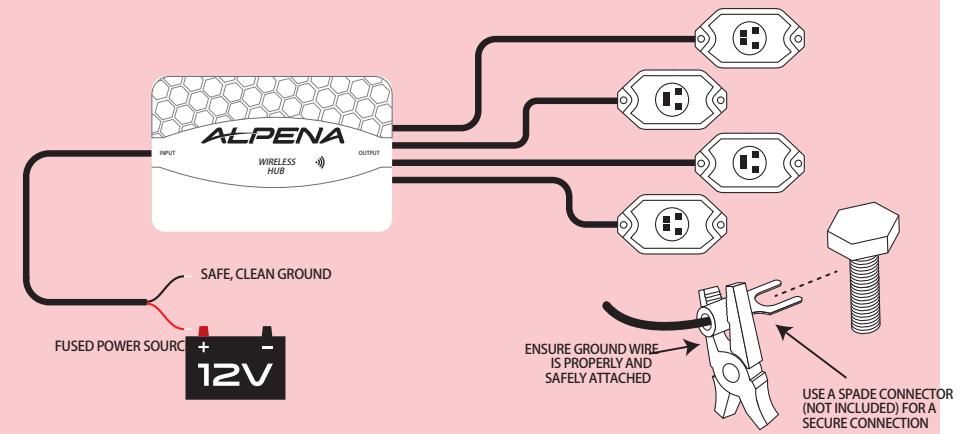
D) TIGHTEN BOLTS.



WIRING

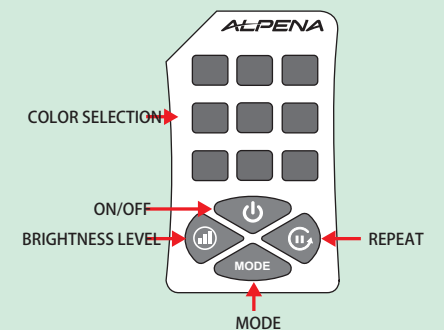
- ATTACH POSITIVE WIRE SECURELY TO A 12-24V FUSED POWER SOURCE. EXTENSION OF THE WIRING MAY BE NECESSARY. CAN BE WIRED INTO A SWITCH THAT WILL SUPPORT THE 5A DRAW AT 12V DC / 2.5A DRAW AT 24V DC

- ATTACH BLACK GROUND WIRE TO A SAFE, CLEAN GROUND LOCATION.



OPERATION

INFO REGARDING OPERATION / AIMING THE LIGHT



Federal Communications Commission (FCC) Interference Statement

This equipment has been tested and found to comply with the limits for a Class B digital device, pursuant to Part 15 of the FCC Rules.

These limits are designed to provide reasonable protection against harmful interference in a residential installation. This equipment generate, uses and can radiate radio frequency energy and, if not installed and used in accordance with the instructions, may cause harmful interference to radio communications.

However, there is no guarantee that interference will not occur in a particular installation. If this equipment does cause harmful interference to radio or television reception, which can be determined by turning the equipment off and on, the user is encouraged to try to correct the interference by one of the following measures:

- Reorient or relocate the receiving antenna.
- Increase the separation between the equipment and receiver.
- Connect the equipment into an outlet on a circuit different from that to which the receiver is connected.
- Consult the dealer or an experienced radio/TV technician for help.

This device complies with Part 15 of the FCC Rules. Operation is subject to the following two conditions:

(1) This device may not cause harmful interference, and (2) this device must accept any interference received, including interference that may cause undesired operation.

FCC Caution: Any changes or modifications not expressly approved by the party responsible for compliance could void the user's authority to operate this equipment.

Industry Canada (IC)

CAN ICES-3 (B)/NMB-3(B)

This device complies with Industry Canada's licence-exempt RSSs. Operation is subject to the following two conditions:

- (1) This device may not cause harmful interference, and
- (2) this device must accept any interference received, including interference that may cause undesired operation.

Cet appareil est conforme à la norme RSS d'Industrie Canada. Son fonctionnement est sujet aux deux conditions suivantes:

- (1) le dispositif ne doit pas produire de brouillage préjudiciable, et
- (2) ce dispositif doit accepter tout brouillage reçu, y compris un brouillage susceptible de provoquer un fonctionnement indésirable.

IMPORTANT NOTE:

Radiation Exposure Statement:

This equipment complies with IC radiation exposure limits set forth for an uncontrolled environment.

Déclaration d'exposition aux radiations:

Cet équipement est conforme aux limites d'exposition aux rayonnements IC établies pour un environnement non contrôlé.