

# RFID Reader board

## Antenna Design:

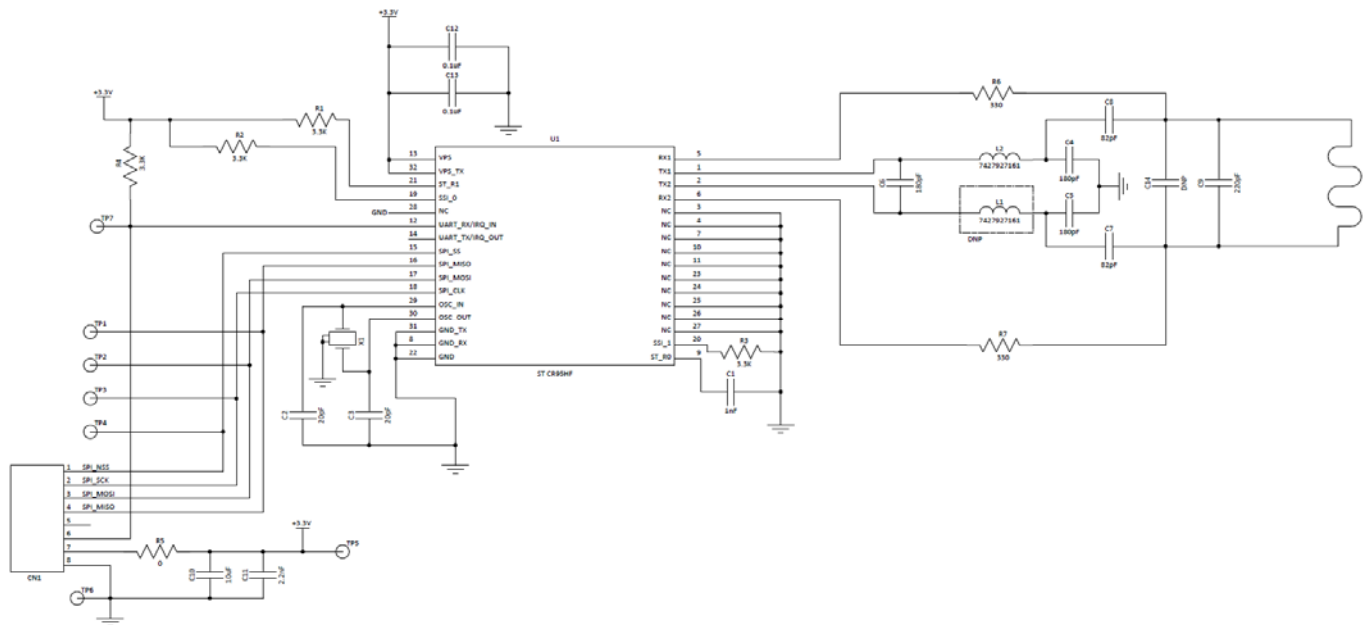
Antenna used is a PCB coil antenna with 0dB Gain.

Geometry		
Turns	4	
Antenna Length	0.570	inches
Antenna Width	0.604	inches
Number of layers	1	

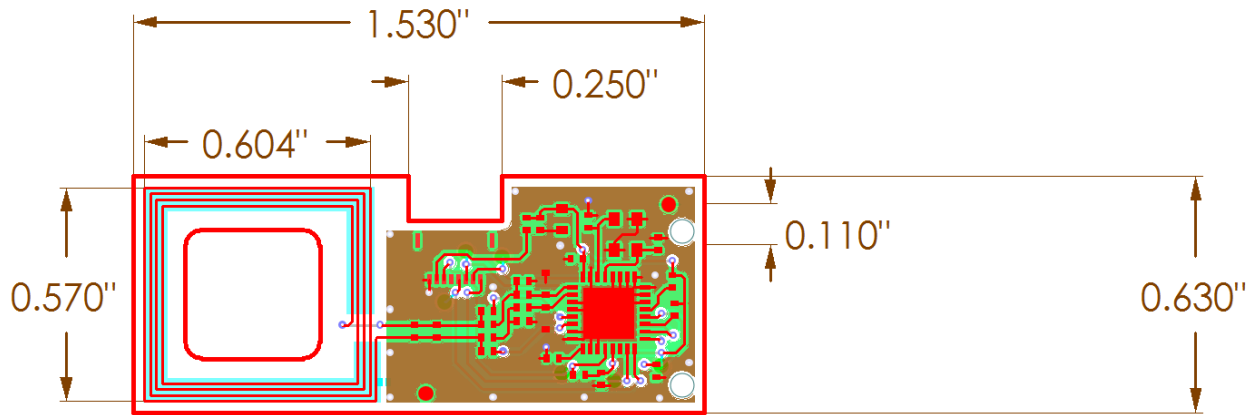
## FCC 15.203 Compliance:

The antenna is permanently attached (PCB, see Board Layout) with no provision for attaching an alternate antenna. The vertical distance between the Reader antenna and Tag antenna is constrained to  $0.350'' + 0.050''$  within the mechanical design of the device.

## RFID Reader Schematic

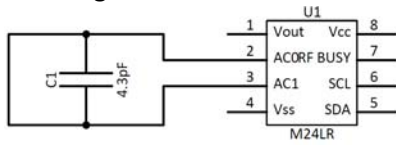


### RFID Reader Board Layout



### RFID Tag information

#### RFID Tag Schematic



### RFID Tag Board Layout

