

EWN-8822CSS3AH

SPECIFICATION V1.4

IEEE 802.11b/g/n/a/ac SDIO Wireless
+ Bluetooth 2.1/3.0/4.2/5.0 Module



Contents

1	General Specifications	3
2	Features	3
2.1	WLAN	3
2.2	Bluetooth	4
3	System Block Diagram	4
4	PHY Specification	5
4.1	Wi-Fi Specification	5
4.2	BT Specification	7
5	Other Specifications	8
6	DC Characteristics	8
7	S11 Report	9
8	Module configurations	11
9	Pin Definition	12
10	Module Photos	15
11	Key material list	16
12	Package Information	17
13	Reference design	18
13.1	Power supply requirement	18
13.2	SDIO Interface	19
13.3	RF circuit	19
13.4	Motherboard interference avoidance	21
13.4.1	Interface interference	21
13.4.2	The main chip interferes with DDR	22
13.5	Recommended secondary reflux temperature curve	23
14	Revision History	24

1 General Specifications

The module provides a complete solution for a high-performance integrated wireless and Bluetooth device . It provides SDIO interface for WiFi and HS-UART interface for Bluetooth. The module complies with IEEE 802.11 a/b/g/n/ac 2T2R MIMO standard , and Maximum PHY data rate up to 173.3 Mbps using 20 MHz bandwidth ,400 Mbps using 40 MHz bandwidth, and 866.7 Mbps using 80 MHz bandwidth.

2 Features

2.1 WLAN

- ❖ Supports 802.11ac 2x2, Wave-2 compliant with MU-MIMO
- ❖ Completes 802.11n MIMO solution for 2.4GHz and 5GHz band
- ❖ Maximum PHY data rate up to 173.3Mbps using 20MHz bandwidth, 400Mbps using 40 MHz bandwidth, and 866.7Mbps using 80MHz bandwidth
- ❖ Backward compatible with 802.11a/b/g devices while operating at 802.11n data rates
- ❖ Backward compatible with 802.11a/n devices while operating at 802.11ac data rates
- ❖ Complies with SDIO 1.1/2.0/3.0 for WLAN with clock rate up to 208MHz
- ❖ support standard SDIO v3.0 (up to SDR104 mode at 208 MHz) host interfaces
- ❖ complies with HS-UART with configurable baud rate for Bluetooth
- ❖ IEEE 802.11a/b/g/n/ac compatible WLAN
- ❖ IEEE 802.11e QoS Enhancement(WMM)
- ❖ IEEE 802.11i (WPA, WPA2). Open, shared key and pair-wise key authentication
- ❖ IEEE 802.11h DFS, TPC, Spectrum Measurement
- ❖ IEEE 802.11k Radio Resource Measurement
- ❖ Channel management and co-existence
- ❖ Wi-Fi Direct supports wireless peer to peer
- ❖ CCA on secondary through RTS/CTS handshake
- ❖ Supports TCP/UDP/IP checksum offload
- ❖ Two Transmit and Two Receive paths
- ❖ 5MHz/10MHz/20MHz/40MHz/80MHz bandwidth transmission
- ❖ Supports 2.4GHz and 5GHz band channels

- ❖ Short Guard Interval(400ns)
- ❖ Sounding packet

2.2 Bluetooth

- ❖ Compatible with Bluetooth v2.1 and v3.0 Systems
- ❖ Supports Bluetooth 4.1 features
- ❖ Supports Bluetooth 4.2 LE Secure Connection by upper layer software upgrade
- ❖ Support Bluetooth 5.0 and LE 5.0 system
- ❖ Supports all packet types in basic rate and enhanced data rate
- ❖ Supports pico-nets in a scatter-net
- ❖ Supports Secure Simple Pairing
- ❖ Bluetooth 5.0 Dual Mode support: Simultaneous LE and BR/EDR

3 System Block Diagram

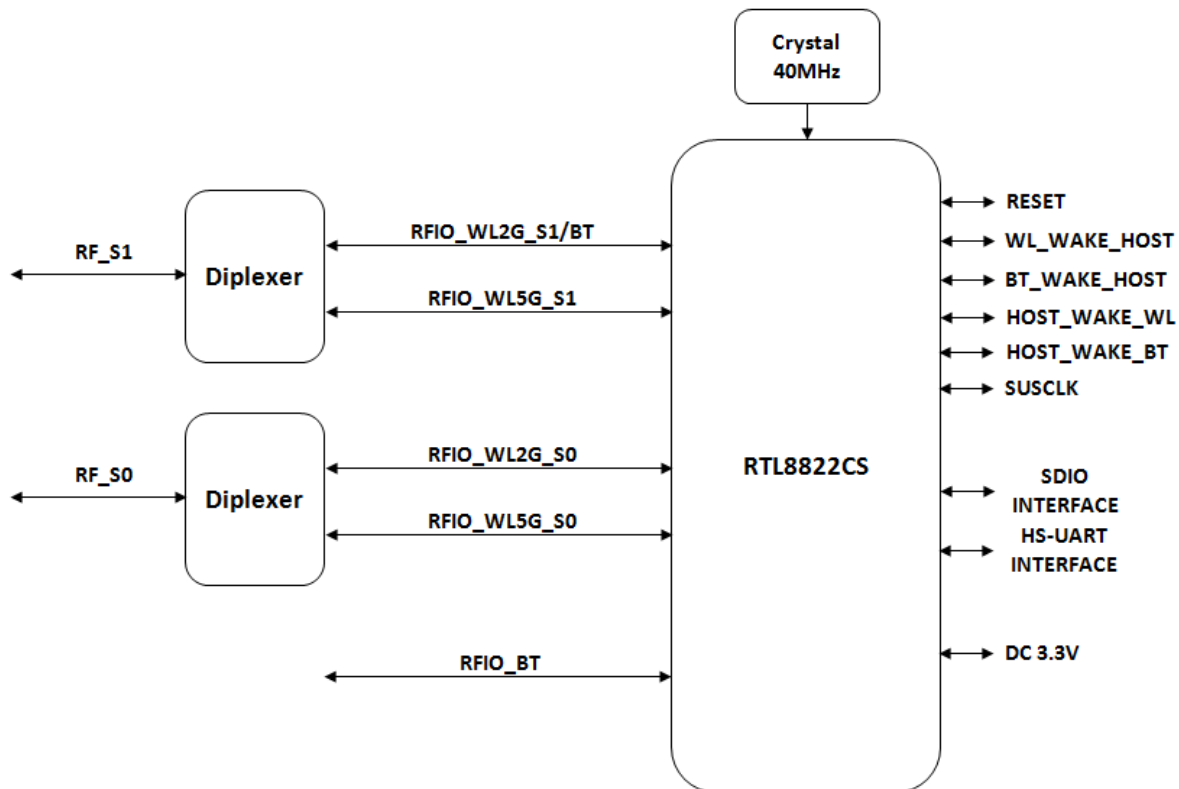


FIG 1 EWN-8822CSS3AH Block Diagram

4 PHY Specification

4.1 Wi-Fi Specification

Table 1 EWN-8822CSS3AH Wi-Fi RF Parameters

Protocol	IEEE 802.11b/g/n/a/ac	
Interface	SDIO 1.1 / 2.0 / 3.0	
Frequency	2.4GHz band CH1~CH14/2400-2483.5MHz	
	5GHz Band CH36~CH48/5150-5250MHz CH52~CH64/5250-5350MHz CH100~CH140/5470-5725MHz CH149~CH165/5725-5850MHz	
	2.4G&5G Band Refer to Channel Plan Domain Code	
Bandwidth	20/40/80 MHz	
PHY Rate	Maximum PHY data rate up to 173.3 Mbps using 20MHz bandwidth;	
	Maximum PHY data rate up to 400 Mbps using 40MHz bandwidth;	
	Maximum PHY data rate up to 866.7 Mbps using 80MHz bandwidth .	
Frequency Error	< ±10ppm/802.11b/g/n/a/ac	
Mask	-20dB/±11MHz/OFDM;	
	-28dB/±20MHz/OFDM;	
	-30dB/±11MHz/DSSS, CCK;	
	-50dB/±20MHz/DSSS, CCK.	
2.4G Transmit Power	802.11b (2.4G 11Mbps):	18 +1/-2dBm
	802.11g (2.4G 54Mbps):	17 +1/-2dBm
	802.11n (2.4G HT20 MCS7):	16 +1/-2dBm
	802.11n (2.4G HT40 MCS7):	16 +1/-2dBm
	Other TX power rate see the "power by rate"	
2.4G EVM	802.11b (2.4G 1Mbps):	≤ -13dB
	802.11b (2.4G 11Mbps):	≤ -13dB
	802.11g (2.4G 6Mbps):	≤ -8dB
	802.11g (2.4G 24Mbps):	≤ -19dB
	802.11g (2.4G 54Mbps):	≤ -28dB
	802.11n (2.4G HT20 MCS0):	≤ -8dB

	802.11n (2.4G HT20 MCS4):	$\leq -22\text{dB}$	
	802.11n (2.4G HT20 MCS7):	$\leq -30\text{dB}$	
	802.11n (2.4G HT40 MCS0):	$\leq -8\text{dB}$	
	802.11n (2.4G HT40 MCS4):	$\leq -22\text{dB}$	
	802.11n (2.4G HT40 MCS7):	$\leq -30\text{dB}$	
5G Transmit Power	802.11a (5G 54Mbps):	17 +1/-2dBm	
	802.11n (5G HT20 MCS7):	16 +1/-2dBm	
	802.11n (5G HT40 MCS7):	16 +1/-2dBm	
	802.11ac (5G VHT20 MCS8):	14 +1/-2dBm	
	802.11ac (5G VHT40 MCS9):	14 +1/-2dBm	
	802.11ac (5G VHT80 MCS9):	14 +1/-2dBm	
	Other TX power rate see the "power by rate"		
5G EVM	802.11a (5G 6Mbps):	$\leq -8\text{dB}$	
	802.11a (5G 24Mbps):	$\leq -19\text{dB}$	
	802.11a (5G 54Mbps):	$\leq -28\text{dB}$	
	802.11n (5G HT20 MCS0):	$\leq -8\text{dB}$	
	802.11n (5G HT20 MCS4):	$\leq -22\text{dB}$	
	802.11n (5G HT20 MCS7):	$\leq -30\text{dB}$	
	802.11n (5G HT40 MCS0):	$\leq -8\text{dB}$	
	802.11n (5G HT40 MCS4):	$\leq -22\text{dB}$	
	802.11n (5G HT40 MCS7):	$\leq -30\text{dB}$	
	802.11ac (5G VHT20 MCS0):	$\leq -8\text{dB}$	
	802.11ac (5G VHT20 MCS5):	$\leq -25\text{dB}$	
	802.11ac (5G VHT20 MCS8):	$\leq -33\text{dB}$	
	802.11ac (5G VHT40 MCS0):	$\leq -8\text{dB}$	
	802.11ac (5G VHT40 MCS5):	$\leq -25\text{dB}$	
	802.11ac (5G VHT40 MCS9):	$\leq -35\text{dB}$	
	802.11ac (5G VHT80 MCS0):	$\leq -8\text{dB}$	
	802.11ac (5G VHT80 MCS5):	$\leq -25\text{dB}$	
	802.11ac (5G VHT80 MCS9):	$\leq -35\text{dB}$	
2.4G Receive Sensitivity @ PER<10%	802.11b (2.4G 1Mbps):	-91dBm (Max.)	-97dBm (Typ.)
	802.11b (2.4G 11Mbps):	-85dBm (Max.)	-93dBm (Typ.)
	802.11g (2.4G 6Mbps):	-87dBm (Max.)	-96dBm (Typ.)

	802.11g (2.4G 24Mbps):	-79dBm (Max.)	-83dBm (Typ.)
	802.11g (2.4G 54Mbps):	-70dBm (Max.)	-77dBm (Typ.)
	802.11n (2.4G HT20 MCS0):	-87dBm (Max.)	-95dBm (Typ.)
	802.11n (2.4G HT20 MCS4):	-75dBm (Max.)	-80dBm (Typ.)
	802.11n (2.4G HT20 MCS7):	-69dBm (Max.)	-77dBm (Typ.)
	802.11n (2.4G HT40 MCS0):	-84dBm (Max.)	-92dBm (Typ.)
	802.11n (2.4G HT40 MCS4):	-72dBm (Max.)	-76dBm (Typ.)
	802.11n (2.4G HT40 MCS7):	-66dBm (Max.)	-73dBm (Typ.)
5G Receive Sensitivity @ PER<10%	802.11a (5G 6Mbps):	-87dBm (Max.)	-94dBm (Typ.)
	802.11a (5G 24Mbps):	-79dBm (Max.)	-88dBm (Typ.)
	802.11a (5G 54Mbps):	-70dBm (Max.)	-79dBm (Typ.)
	802.11n (5G HT20 MCS0):	-87dBm (Max.)	-93dBm (Typ.)
	802.11n (5G HT20 MCS4):	-75dBm (Max.)	-80dBm (Typ.)
	802.11n (5G HT20 MCS7):	-69dBm (Max.)	-77dBm (Typ.)
	802.11n (5G HT40 MCS0):	-84dBm (Max.)	-92dBm (Typ.)
	802.11n (5G HT40 MCS4):	-72dBm (Max.)	-76dBm (Typ.)
	802.11n (5G HT40 MCS7):	-66dBm (Max.)	-73dBm (Typ.)
	802.11ac (5G VHT20 MCS0):	-87dBm (Max.)	-94dBm (Typ.)
	802.11ac (5G VHT20 MCS5):	-71dBm (Max.)	-76dBm (Typ.)
	802.11ac (5G VHT20 MCS8):	-64dBm (Max.)	-72dBm (Typ.)
	802.11ac (5G VHT40 MCS0):	-84dBm (Max.)	-91dBm (Typ.)
	802.11ac (5G VHT40 MCS5):	-68dBm (Max.)	-72dBm (Typ.)
	802.11ac (5G VHT40 MCS9):	-59dBm (Max.)	-68dBm (Typ.)
	802.11ac (5G VHT80 MCS0):	-81dBm (Max.)	-87dBm (Typ.)
802.11ac (5G VHT80 MCS5):	-65dBm (Max.)	-70dBm (Typ.)	
802.11ac (5G VHT80 MCS9):	-56dBm (Max.)	-65dBm (Typ.)	

4.2 BT Specification

Table 2 EWN-8822CSS3AH Bluetooth RF Parameters

Protocol	BTv2.1+EDR/BTv3.0/BTv3.0+HS/BT v4.2/BT v5.0
Interface	UART
Frequency	2400 MHz ~ 2483.5 MHz (79 channels)
Modulation	GFSK, $\pi/4$ -DQPSK, 8PSK

PHY Rate	1Mbps for Basic Rate; 2、 3 Mbps for Enhanced Data Rate; 1、 2 Mbps for BLE
Transmit Power	6dBm, typical
Receive Sensitivity	<-89dBm @ BER=0.1% for GFSK (1Mbps); <-90dBm @ BER=0.01% for $\pi/4$ -DQPSK (2Mbps); <-83dBm @ BER=0.01% for 8PSK (3Mbps); <-90dBm @ PER=30.8% for BLE
Maximum Input level	GFSK(1Mbps): -20dBm; $\pi/4$ -DQPSK (2Mbps): -20dBm; 8PSK(3Mbps): -20dBm.

5 Other Specifications

Table 3 Other Specifications

Ambient Operating Temperature	0°C~+70°C
Storage Temperature	Module: -20°C~+125°C Package: -20°C~+70°C
Operating Humidity	RH 95%(Non-Condensing)
Storage Humidity	RH 95%(Non-Condensing)
Humidity level	Level 3
Security	WEP 64/128bit,WPA,WPA2,TKIP,AES,WAPI
Other characteristics:	QoS-WMM, WMM-PS
Operation System	Windows XP/Win7/Linux/Android
ESD(IEC61000-4-2)	±1.5kV(Contact) @ RF Port

6 DC Characteristics

Table 4 Power Supply Characteristics

Symbol	Parameter	Min.	Typical	Max.	Unit
VDD_3.3V	3.3V Supply Voltage	3.0	3.3	3.6	V
IDD_3.3V	3.3V Rating Current	-	-	800	mA
VDDIO	SDIO I/O Voltage	Depend on the SDIO protocol (1.8V or 3.3V)			

7 S11 Report



FIG 2 EWN-8822CSS3AH 2.4G Path A

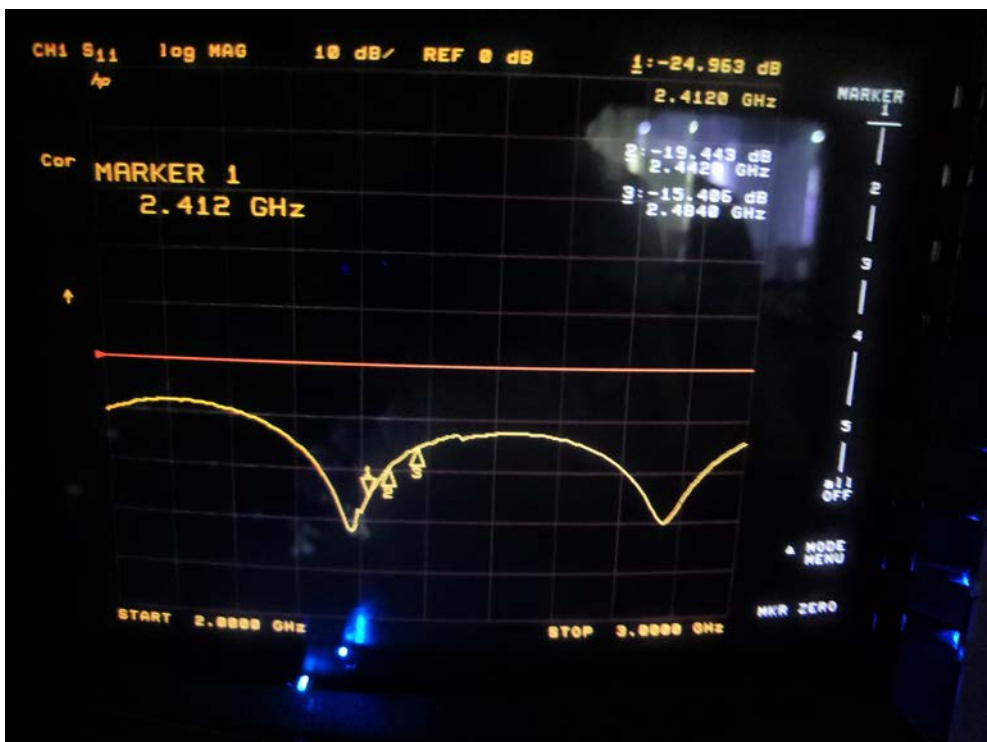


FIG 3 EWN-8822CSS3AH 2.4G Path B



FIG 4 EWN-8822CSS3AH 5G Path A



FIG 5 EWN-8822CSS3AH 5G Path B

8 Module configurations

Module Dimension (L*W*T) : $15.2\pm 0.2\text{mm} \times 13.2\pm 0.2\text{mm} \times 2.1\pm 0.2\text{mm}$.

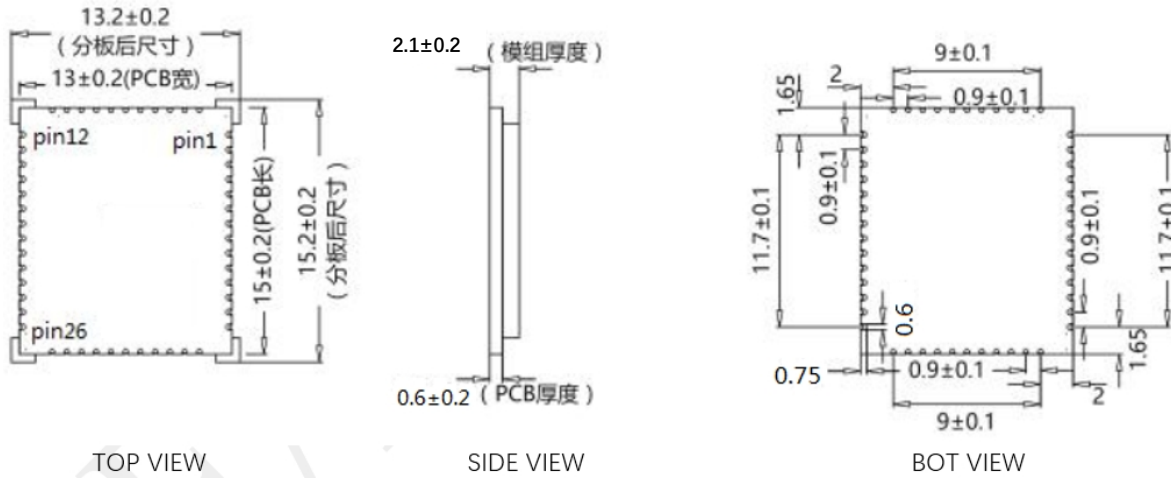


FIG 6 EWN-8822CSS3AH Module Dimension

Recommended Footprint :

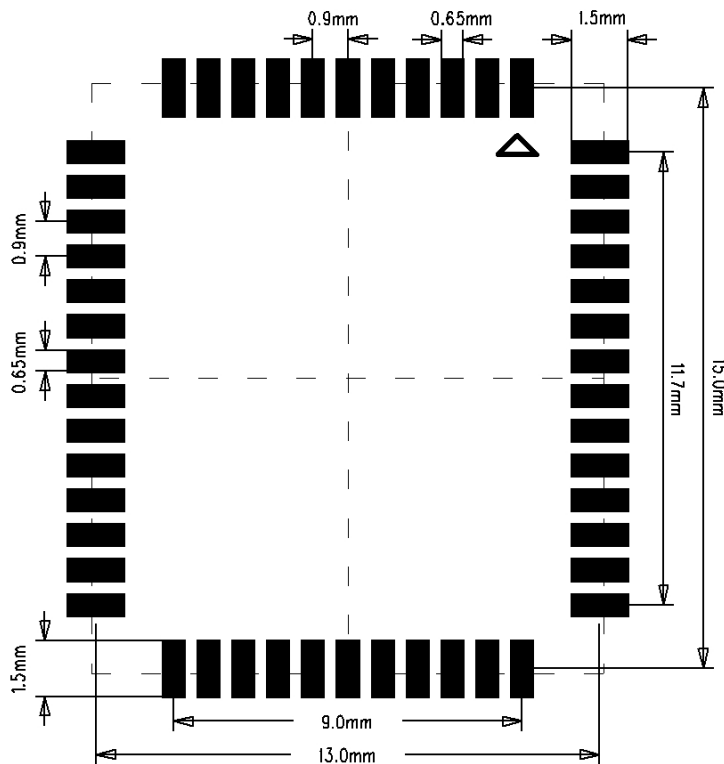


FIG 7 EWN-8822CSS3AH Module Dimension

9 Pin Definition

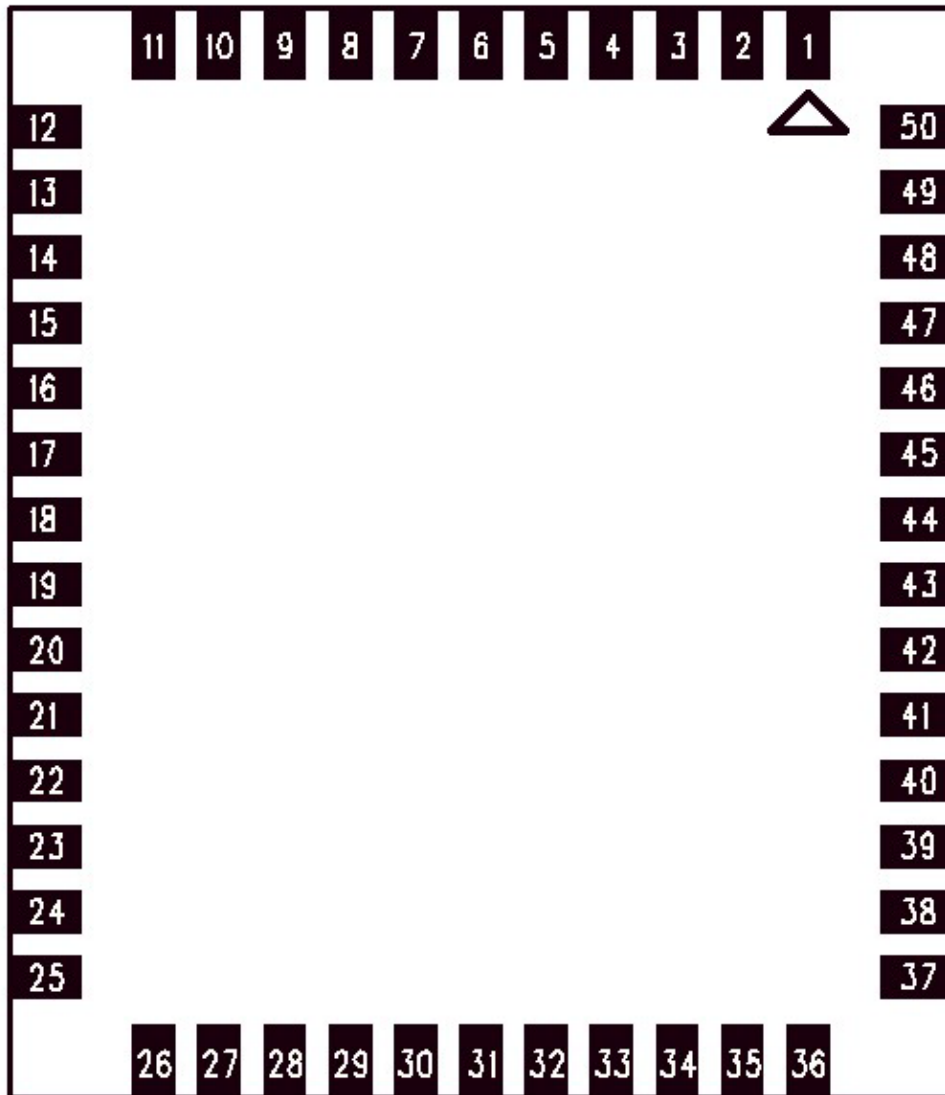


FIG 8 TOP VIEW

See table 5 for the module hardware pin definition.

Table 5 EWN-8822CSS3AH Pin Description

Pin	Definition	Description	Power Supply	Power level
1	GND	Ground	-	-
2	Wi-Fi B	Wi-Fi Path B ANT I/O port	-	-
3	GND	Ground	-	-
4	GND	Ground	-	-
5	GND	Ground	-	-

Pin	Definition	Description	Power Supply	Power level
6	GND	Ground	-	-
7	GND	Ground	-	-
8	GND	Ground	-	-
9	Wi-Fi A	Wi-Fi Path A ANT I/O port	-	-
10	GND	Ground	-	-
11	GND	Ground	-	-
12	BT_ANT	Bluetooth ANT I/O port	-	-
13	GPIO6	General Purpose Input/Output Pin	VDDIO	Depend On VDDIO
14	G_BT	General Purpose Input/Output Pin	VDDIO	Depend On VDDIO
15	WL_REG_ON	Low asserting reset for Wi-Fi core	VDDIO	Depend On VDDIO
16	WL_WAKE_HOST	WLAN to wake-up the host	VDDIO	Depend On VDDIO
17	SDIO_CMD	SDIO interface command line	VDDIO	Depend On VDDIO
18	SDIO_CLK	SDIO interface clock line	VDDIO	Depend On VDDIO
19	SDIO_DATA_3	SDIO interface data line 3	VDDIO	Depend On VDDIO
20	SDIO_DATA_2	SDIO interface data line 2	VDDIO	Depend On VDDIO
21	SDIO_DATA_0	SDIO interface data line 0	VDDIO	Depend On VDDIO
22	SDIO_DATA_1	SDIO interface data line 1	VDDIO	Depend On VDDIO
23	GND	Ground	-	-
24	WL_WAKE_HOST	WLAN to wake-up the host	VDDIO	Depend On VDDIO
25	GPIO7	General Purpose Input/Output Pin	VDDIO	Depend On VDDIO
26	NC	No connect	-	-
27	PCM_SYNC	PCM SYNC signal	VDDIO	Depend On VDDIO
28	PCM_IN	PCM data input	VDDIO	Depend On VDDIO
29	PCM_OUT	PCM data output	VDDIO	Depend On VDDIO
30	PCM_CLK	PCM clock	VDDIO	Depend On VDDIO
31	SUSCLK	External low power clock input (32.768KHz)	VDDIO	Depend On VDDIO
32	GND	Ground	-	-
33	NC	No connect	-	-
34	VDDIO	I/O voltage supply input (1.8V typ.)	VDDIO	Depend On VDDIO
35	NC	No connect	-	-
36	VDD_3.3V	Main power voltage source input (3.3V±10%)	Main power	DC 3.3V±10%

Pin	Definition	Description	Power Supply	Power level
37	NC	No connect	-	-
38	BT_REG_ON	Low asserting reset for Bluetooth core	VDDIO	Depend On VDDIO
39	GND	Ground	-	-
40	UART_TXD	Bluetooth UART interface(connect to host UART RX)	VDDIO	Depend On VDDIO
41	UART_RXD	Bluetooth UART interface(connect to host UART TX)	VDDIO	Depend On VDDIO
42	UART_RTS_N	Bluetooth UART interface	VDDIO	Depend On VDDIO
43	UART_CTS_N	Bluetooth UART interface	VDDIO	Depend On VDDIO
44	SD_RESET	SDIO interface reset	VDDIO	Depend On VDDIO
45	G_WL	General Purpose Input/Output Pin	VDDIO	Depend On VDDIO
46	GND	Ground	-	-
47	NC	No connect	-	-
48	GND	Ground	-	-
49	HOST_WAKE_BT	Host wake-up Bluetooth	VDDIO	Depend On VDDIO
50	BT_WAKE_HOST	Bluetooth to wake-up the host	VDDIO	Depend On VDDIO

10 Module Photos

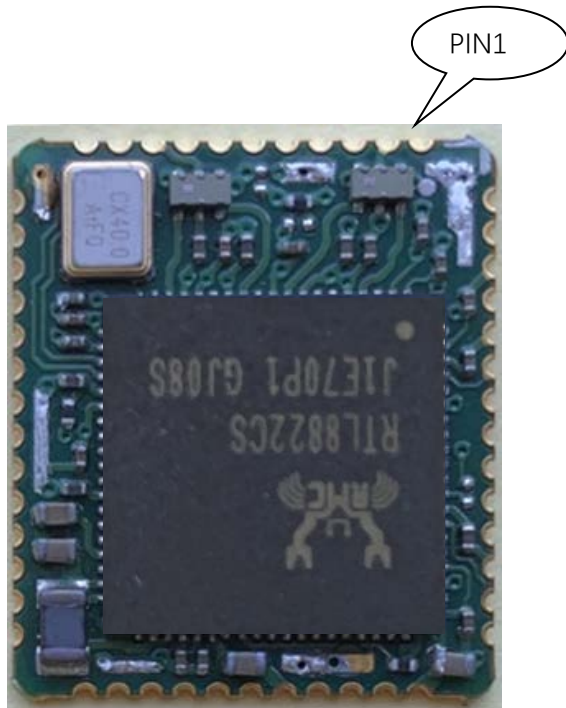


FIG 9 Duplexers : LD18D2450LAN-D40/M (佳利)



FIG 10 Duplexers : RFDIP1607L132A8D1T (华科)

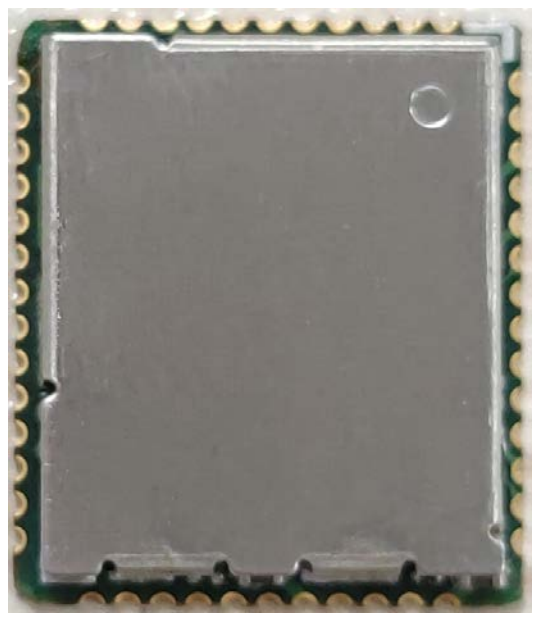


FIG 11 TOP VIEW



FIG 12 BOTTOM VIEW

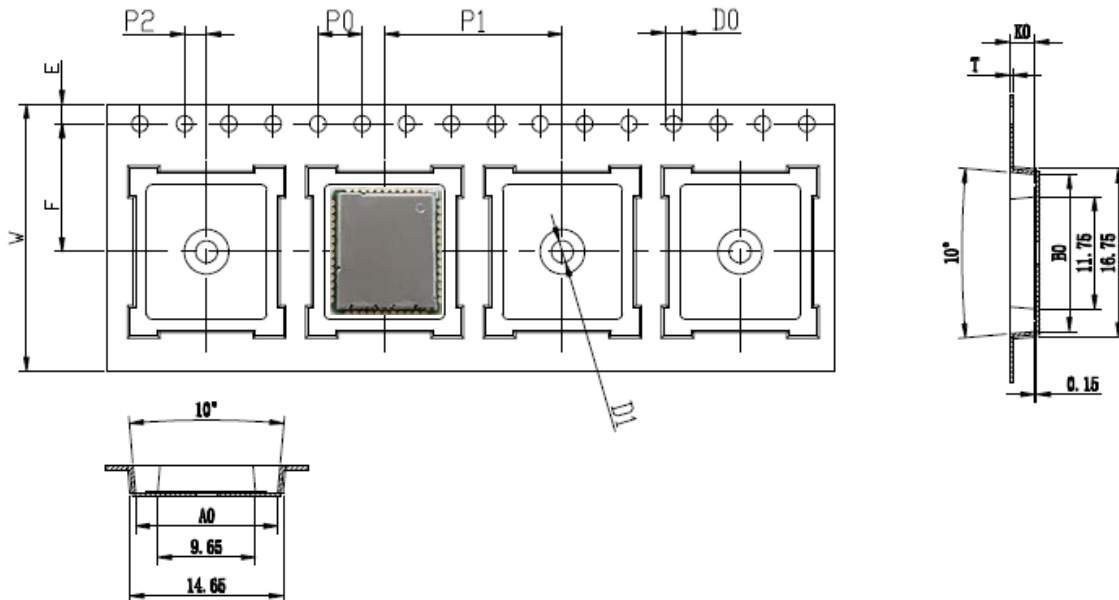
11Key material list

Table 6 EWN-8822CSS3AH Key material list

Type	Model	Footprint	QTY.
Diplexers	LD18D2450LAN-D40/M	1608	2PCS
	RFDIP1607L132A8D1T		
IC	RTL8822CS-VS-CG	QFN76	1 PCS
Crystal	40MHz (CX/YDL/JWT/TJ)	X3225	1 PCS

12 Package Information

Carrier dimension: (Unit : mm)



A0	B0	K0	P0	P1	P2
13.65±0.1	15.75±0.1	2.60±0.1	4.0±0.1	20.0±0.1	2.0±0.1
W	T	E	F	D0	D1
24.0±0.3	0.3±0.05	1.75±0.1	11.50±0.1	∅1.5 ^{+0.1} ₀	∅1.50 ^{+0.1} ₀

FIG 13 Carrier size

Reel dimension : D=38cm 1400PCS Modules Per Reel

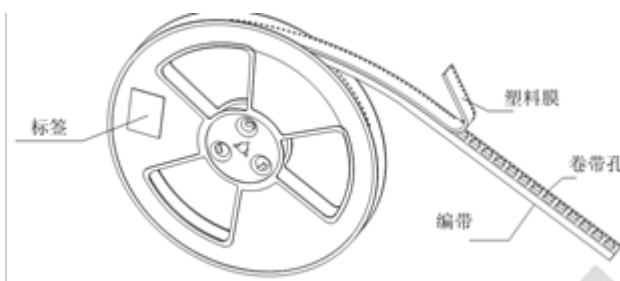


FIG 14 Reel

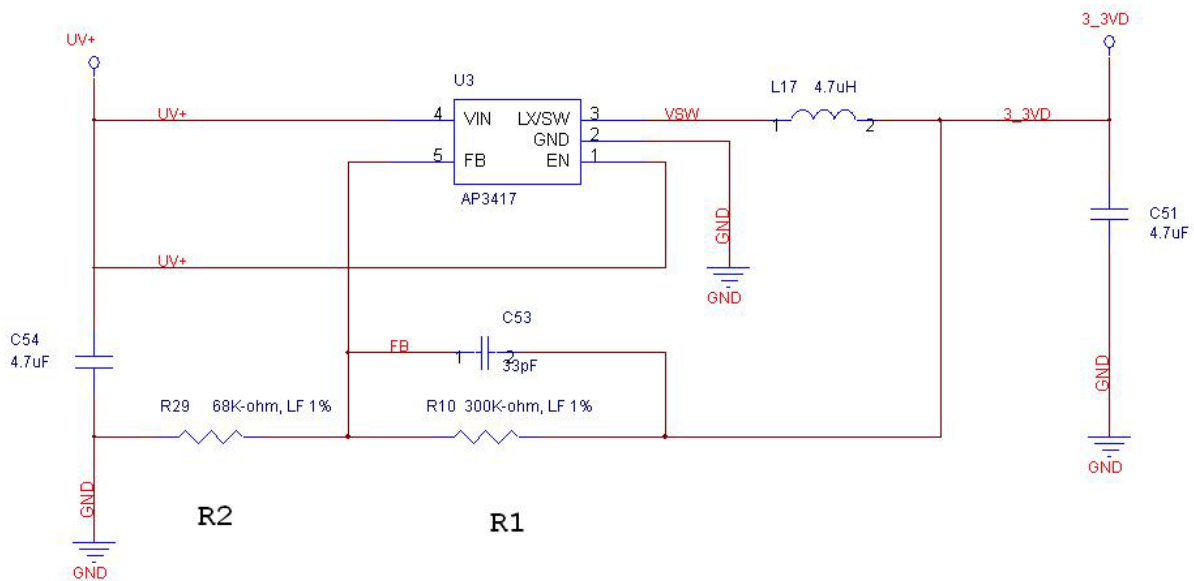


FIG 15 Reel figure

13 Reference design

13.1 Power supply requirement

The module power supply voltage is DC+3.3V, and the maximum module current is 800mA. The power supply design needs to consider the output current and power interference. To avoid the +3.3V power supply from interfering with other circuits on the motherboard, it is recommended to supply to the module using the regulator circuit alone. the recommended DC-DC circuit structure shown in the figure below. A 4.7uF~10uF capacitor is connected in parallel at 3_3VD output to filter out the interference. A bead is connected in series at 3_3VD output. The bead and capacitor must be placed as close to the module as possible. If you need to share +3.3V with other circuits, consider whether the current of the shared power supply is sufficient.



$$V_o = 0.6 * (1 + R1/R2) = 0.6 * (1 + 300K/68K) = 3.3V$$

Step-Down Regulator, Vfb=0.6V, 1A, 1.8MHz, ADJ, LF

FIG 16 Power supply Circuit schematic

13.2 SDIO Interface

The SDIO interface has 4 data lines, a clock signal line and a command signal line. all of the SDIO lines must be equal length. In order to avoid mutual interference, SDIO lines should be avoided to be adjacent and parallel to other data lines, RF lines and power lines, and Surround the data line and clock line with ground copper.

13.3 RF circuit

Due to the SMD package, the RF port impedance must be offset after the module is soldered to the motherboard. In order to achieve the best performance,, it is recommended to add a PI-type matching network to the motherboard, as shown below (C11, R21,C6). The value of the PI type matching network needs to be debugged according to the actual motherboard to match RF port impedance to 50 Ohm.

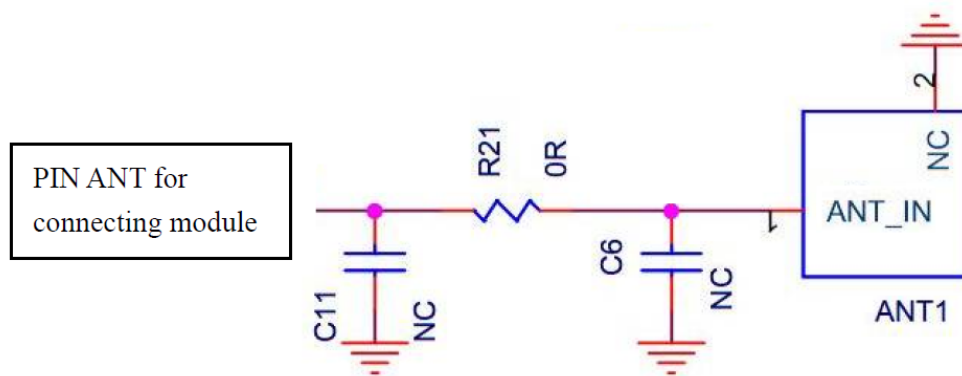


FIG 17 Connect 50 Ohm matching antenna reference circuit

The antenna ANT1 in the figure above must be 50 Ohm. If the antenna is not matched, it is recommended to add a set of PI type matching network at the front of the antenna to match the antenna. Generally, the antenna manufacturers will give Suggestions on matching parameters.

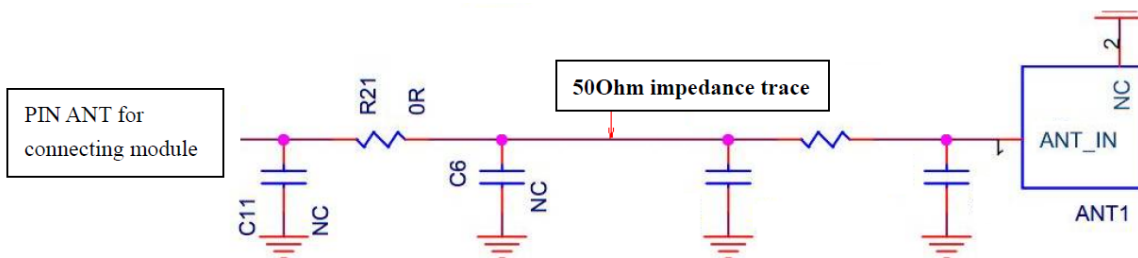


FIG 18 Connect the unmatched antenna reference circuit

The RF line layout should be matched according to 50ohm. The line impedance is related to the plate, plate thickness, line width and copper spacing. Professional software can be used to calculate the line width. Note: for multilayer plates, the plate thickness should calculate the

distance from RF routing layer to GND of the next layer. There are RF lines Layout principles :

1. RF line layout needs to match 50 ohms. The line width can be calculated by professional software. (Note: If it is a multi-layer board, The board thickness should calculate the distance from the RF trace layer to the next ground layer.)
2. The RF line must be surrounded by ground copper and ground holes.
3. The PI-type matching circuit for adjusting the impedance of the module is placed close to the module. The PI type matching circuit for matching the antenna is placed close to the antenna.

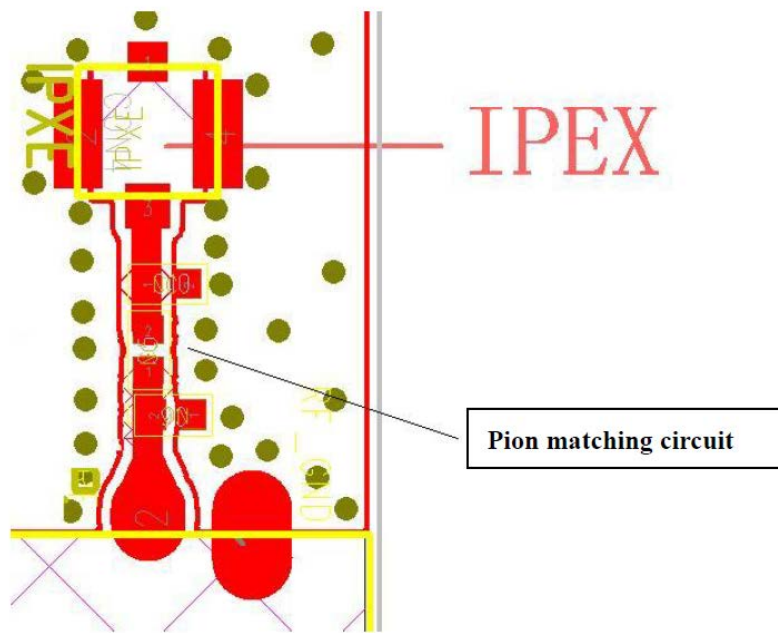


FIG 19 The PI type matching circuit Layout

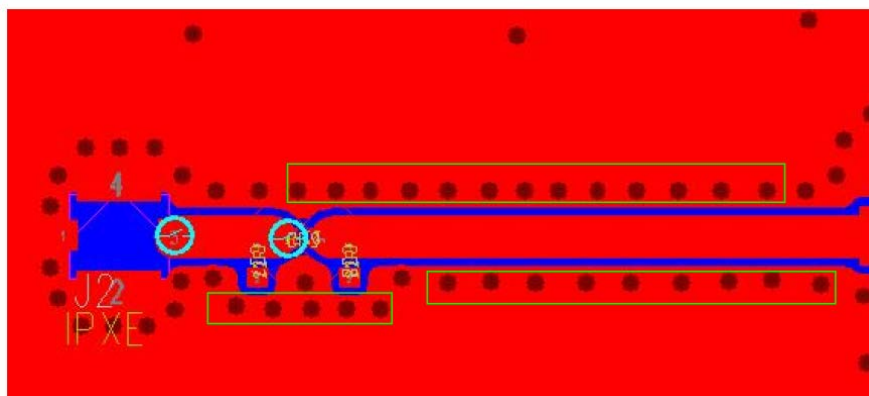


FIG 20 The RF line Layout

13.4 Motherboard interference avoidance

Motherboard interference comes from: high-speed data interface (HDMI), the Operating frequency of main chip, DDR, DC-DC power supply. The method of avoiding interference according to the characteristics of various signals is also different. The main methods of interference avoidance include :

1. keeping away from the source of interference;
2. Adding shields to avoid interference leakage;
3. Reasonable layout to eliminate interference.

13.4.1 Interface interference

When HDMI uses the 74.2MHz frequency, its 33x frequency is in the 2.4G band of Wi-Fi, which will seriously interfere with the Wi-Fi signal. If the HDMI frequency is 148.5MHz, although the 16x frequency is not in the Wi-Fi band, the isolation of the frequency is not good, and the Wi-Fi signal will be interfered to some extent. If the distance between the HDMI interface and the Wi-Fi module on the PCB is less than 5cm, the HDMI output display will interfere with the Wi-Fi signal, resulting in problems such as Wi-Fi connection failure and throughput drop. Therefore, keep the location of the Wi-Fi module away from the HDMI port on the hardware layout to avoid interference.

At the same time, if the Wi-Fi antenna is built-in the motherboard, its placement must also be carefully considered to be far from the interface interference. If the antenna is placed in an incorrect position, even if the module is shielded, the interference signal is coupled through the antenna, which will eventually result in a lower Wi-Fi throughput. (Note: In addition to interference, the placement of the internal antenna should also evaluate the effect of the metal interface, motherboard, and housing material on the antenna impedance.)

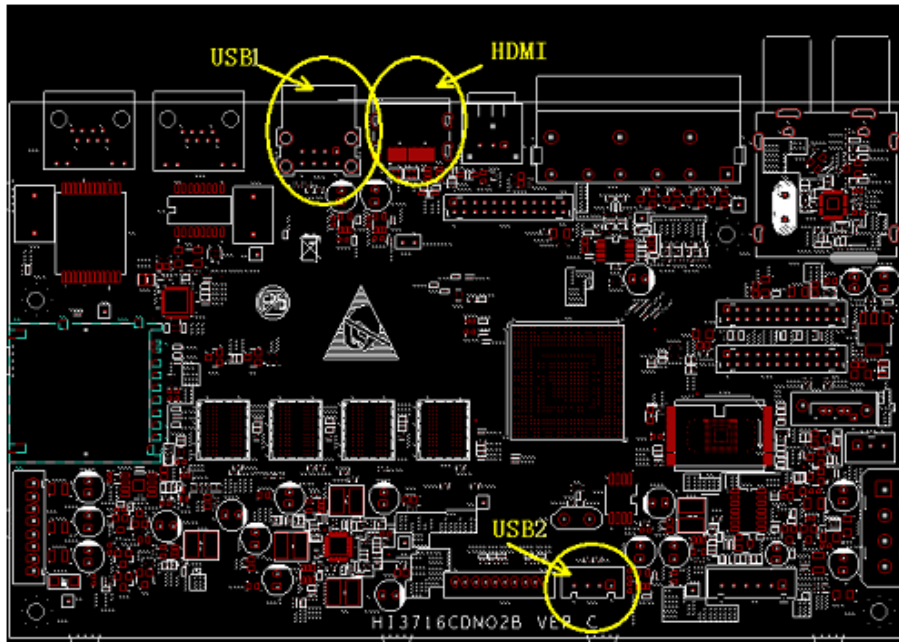


FIG 21 HDIM and USB interference

13.4.2 The main chip interferes with DDR

Because the main chips operate at about 800MHz or DDR2 operate at 667MHz, 3x frequency of 800MHz and 4x frequency of 667MHz are near 2.4GHz band. It must to place Wi-Fi modules and antennas far away from the main chip and DDR. It is strongly recommended that the main chip be isolated from the DDR by a shield. As shown in the figure below.

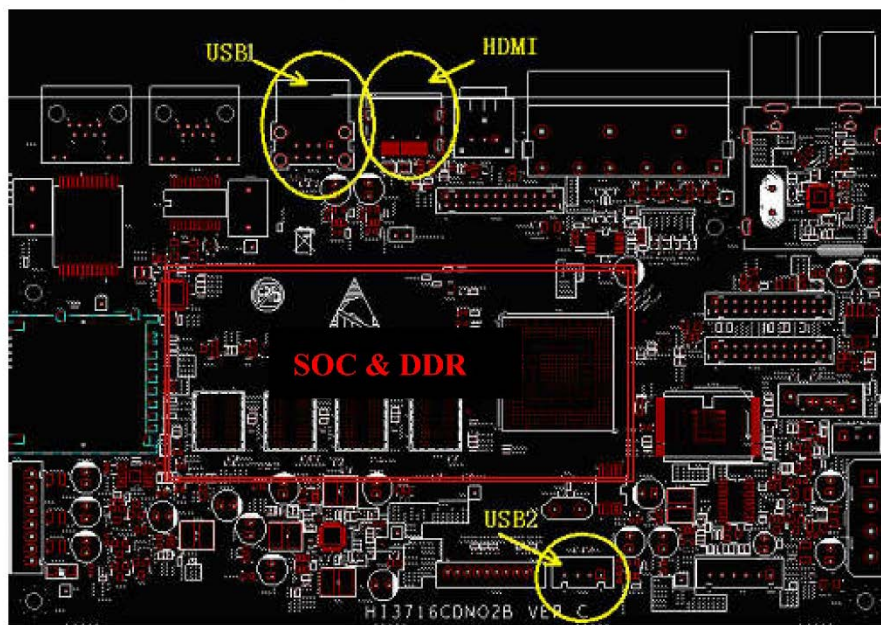


FIG 22 Main chip and DDR interference

13.5 Recommended secondary reflux temperature curve

The number of reflux shall not exceed 2 times, and the tin feeding height of the half hole of the module shall be no less than 1/4.

The lead-free reflux curve requirements of Wi-Fi module products are shown in figure23 :

Stage	Note	Pb-free assembly
Average ramp-up rate	T_L to T_p	3 °C/ second max.
Preheat	Temperature min (T_{smin})	150°C
	Temperature max (T_{smax})	200°C
	Time (t_{smin} to t_{smax})	60 – 120 seconds
Time maintained above	Temperature(T_L)	217°C
	Time (t_L)	60 – 150 seconds
Peak package body temperature (T_p)		T_p must not exceed the specified classification temp($T_c=245$ °C).
Time(t_p) within 5°C of the specified classification temperature (T_c)		30 seconds
Ramp-down rate (T_p to T_L)		6 °C / seconds max.
Time 25°C to peak temperature		8 minutes max.

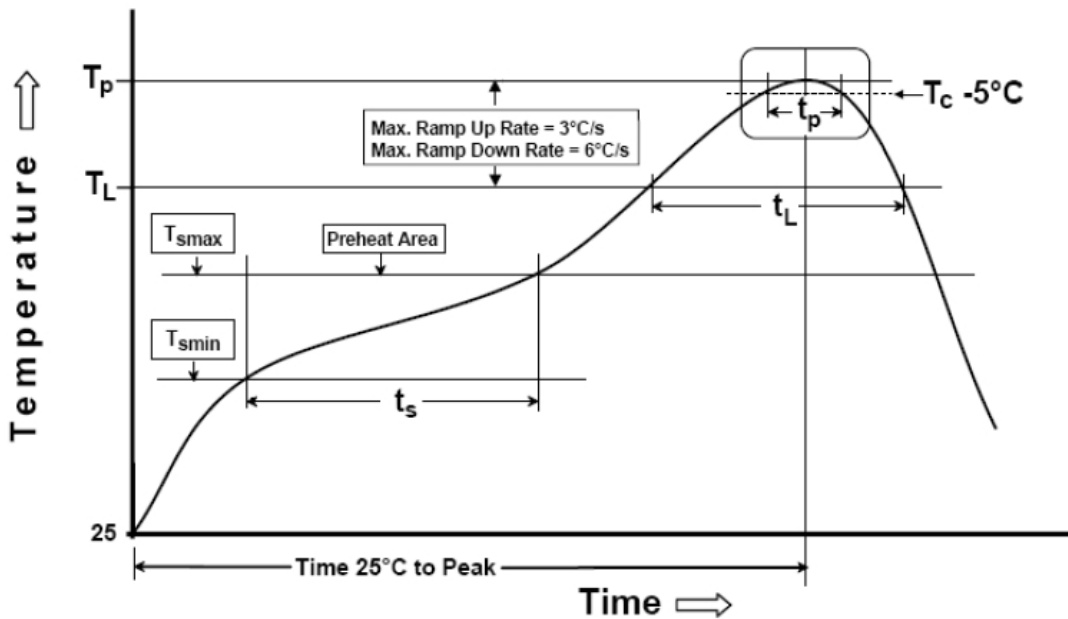


FIG 23 Furnace temperature curve

NOTE:

- 1.The maximum furnace temperature of the module is 260°C, don't exceed this temperature.
- 2.The gold plating thickness of the module pad is 2u".

14 Revision History

Revision	Release Date	Summary	Revised By
V1.0	2021-04-25	First release	Jisheng Wang
V1.1	2021-09-14	Update PHY specification	Jisheng Wang
V1.2	2021-11-24	Update BT specification	Jisheng Wang
V1.3	2021-11-24	Update BT specification	Jisheng Wang
V1.4	2022-03-25	Add Chinese name of Eardatek	Jisheng Wang

FCC Statement

This device complies with part 15 of the FCC rules. Operation is subject to the following two conditions: (1) this device may not cause harmful interference, and (2) this device must accept any interference received, including interference that may cause undesired operation.

Changes or modifications not expressly approved by the party responsible for compliance could void the user's authority to operate the equipment.

NOTE: This equipment has been tested and found to comply with the limits for a Class B digital device, pursuant to part 15 of the FCC Rules. These limits are designed to provide reasonable protection against harmful interference in a residential installation. This equipment generates uses and can radiate radio frequency energy and, if not installed and used in accordance with the instructions, may cause harmful interference to radio communications. However, there is no guarantee that interference will not occur in a particular installation. If this equipment does cause harmful interference to radio or television reception, which can be determined by turning the equipment off and on, the user is encouraged to try to correct the interference by one or more of the following measures:

- Reorient or relocate the receiving antenna.
- Increase the separation between the equipment and receiver.
- Connect the equipment into an outlet on a circuit different from that to which the receiver is connected.
- Consult the dealer or an experienced radio/TV technician for help important announcement

Important Note:

Radiation Exposure Statement

This equipment complies with FCC radiation exposure limits set forth for an uncontrolled environment. This equipment should be installed and operated with minimum distance 20cm between the radiator and your body.

This transmitter must not be co-located or operating in conjunction with any other antenna or transmitter.

Country Code selection feature to be disabled for products marketed to the US/Canada.

This device is intended only for OEM integrators under the following conditions:

1. The antenna must be installed such that 20 cm is maintained between the antenna and users, and
2. The transmitter module may not be co-located with any other transmitter or antenna,
3. For all products market in US, OEM has to limit the operation channels in CH1 to CH11 for 2.4G band by supplied firmware programming tool. OEM shall not supply any tool or info to the end-user regarding to Regulatory Domain change. (if modular only test Channel 1-11)

As long as the three conditions above are met, further transmitter testing will not be required. However, the OEM integrator is still responsible for testing their end-product for any additional compliance requirements required with this module installed.

Important Note:

In the event that these conditions cannot be met (for example certain laptop configurations or co-location with another transmitter), then the FCC authorization is no longer considered valid and the FCC ID cannot be used on the final product. In these circumstances, the OEM integrator will be responsible for re-evaluating the end product (including the transmitter) and obtaining a separate FCC authorization.

End Product Labeling

The final end product must be labeled in a visible area with the following" Contains
FCC ID: 2AMM6-8822CSS3AH"

Manual Information to the End User

The OEM integrator has to be aware not to provide information to the end user regarding how to install or remove this RF module in the user's manual of the end product which integrates this module.

The end user manual shall include all required regulatory information/warning as show in this manual.

Integration instructions for host product manufacturers according to KDB 996369 D03 OEM Manual v01

2.2 List of applicable FCC rules

CFR 47 FCC PART 15 SUBPART C has been investigated. It is applicable to the modular transmitter

2.3 Specific operational use conditions

This module is stand-alone modular. If the end product will involve the Multiple simultaneously transmitting condition or different operational conditions for a stand-alone modular transmitter in a host, host manufacturer have to consult with module manufacturer for the installation method in end system.

2.4 Limited module procedures

Not applicable

2.5 Trace antenna designs

Not applicable

2.6 RF exposure considerations

This equipment complies with FCC radiation exposure limits set forth for an uncontrolled environment. This equipment should be installed and operated with minimum distance 20cm between the radiator & your body.

2.7 Antennas

This radio transmitter **FCC ID:2AMM6-8822CSS3AH** has been approved by Federal Communications Commission to operate with the antenna types listed below, with the maximum permissible gain indicated. Antenna types not included in this list that have a gain greater than the maximum gain indicated for any type listed are strictly prohibited for use with this device.

Antenna No.	Model No. of antenna:	Type of antenna:	Gain of the antenna (Max.)	Frequency range:
Bluetooth	/	PCB Antenna	2.0dBi for 2400-2500MHz;	
2.4GWiFi	/	PCB Antenna	2.0dBi for 2400-2500MHz for Ant1&2	
5GWIFI	/	PCB Antenna	2.0dBi for 5000-5900MHz for Ant1&2	

2.8 Label and compliance information

The final end product must be labeled in a visible area with the following" Contains **FCC ID:2AMM6-8822CSS3AH**".

2.9 Information on test modes and additional testing requirements

Host manufacturer is strongly recommended to confirm compliance with FCC requirements for the transmitter when the module is installed in the host.

2.10 Additional testing, Part 15 Subpart B disclaimer

Host manufacturer is responsible for compliance of the host system with module installed with all other applicable requirements for the system such as Part 15 B.