

SMART SWITCH

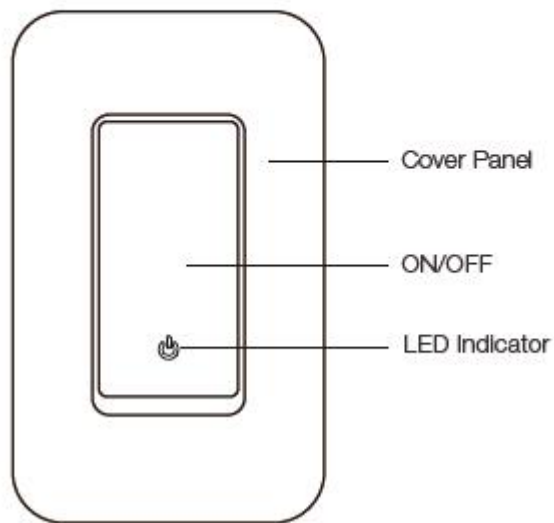
USER MANUAL



Single Pole / 3 Way

WiFi
zigbee
Bluetooth
V2.0 A

01 Product Outline



02 Indicator Light Status

Light Color	Light Status	Switch Status	Remarks
Green	ON	Power ON(Default)	Support Self-definition on APP
	OFF	Power OFF(Default)	
	Blink Quickly (0.5s)	Ready for default configuration mode	
	Blink Slowly (1s)	Ready for AP (Access Point) configuration mode	

03 Specification

Input Power:	100~120V AC 60Hz
Control:	Relay
Communication: Available for selected model	WiFi 802.11 b/g/n 2.4GHz BLE MESH 2.4GHz**
Max Current:	10A
Standby Power:	≤0.5W
Button Life:	500K times
Dimension:	105*45*42.5 mm

** BLE MESH model must use with BLE MESH 2.4GHz** Gateway to access internet

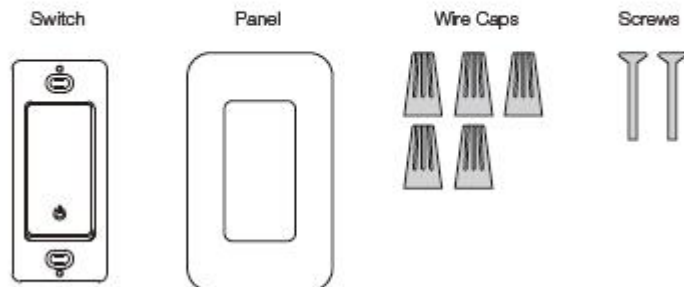
Recommended loads:


Incandescent/halogen
—up to 1200W


LED
—up to 350W


Motor
—up to 0.6 HP

04 Contents Supplied



05 Safety Information

⚠ WARNING: RISK OF ELECTRIC SHOCK

Electricity can cause personal injury and property damage if handled improperly. If you are not sure about any part of these instructions, please seek professional assistance from a qualified electrician. Ensure all work meets applicable local and national codes.

Tools you'll need

Phillips-head screwdriver



Flat-head screwdriver



Pliers



Voltage tester



06 Installation

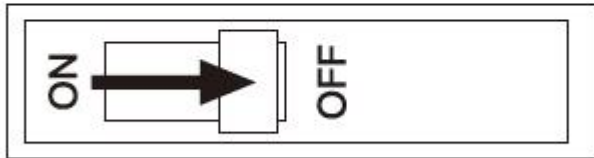


Approximately
30 minutes to install
and setup the switch

STEP 1

Turn Off Power

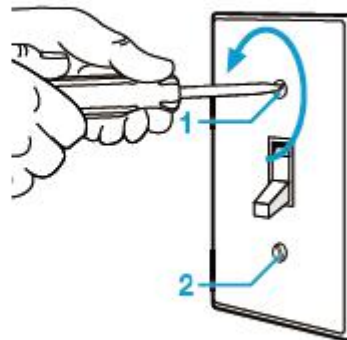
- Locate your circuit breaker panel and turn off the power to each switch you are replacing.



Circuit breaker panel

STEP 2

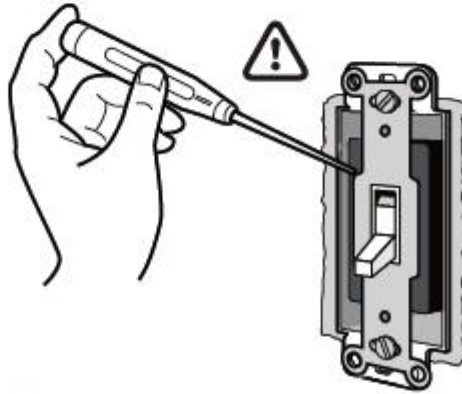
Remove the switch and pull it away from the wall.



STEP 3

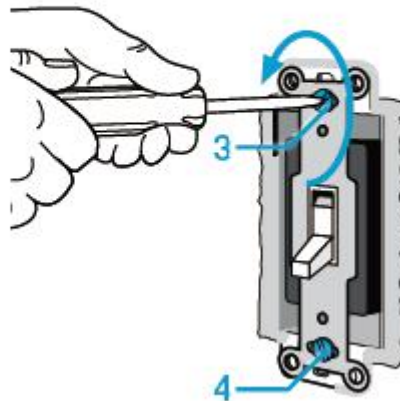
⚠ Verify Power is Off

- We recommend you to remove the faceplate from the old switch and use an electrical tester to test all wires connected to the switch to ensure there is no voltage in the circuit.
- You may need to turn off more than one circuit breaker.



STEP 4

Pull Out Old Switch



STEP 5

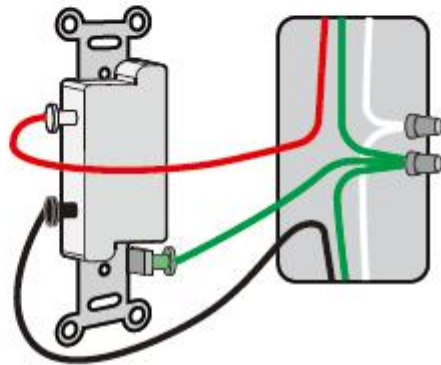
Identify The Old Switch

A Single Pole Switch

Only one switch control one light or a bundle of lights.

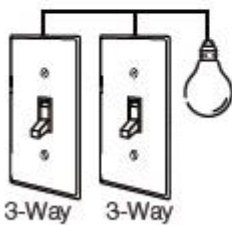


Single Pole

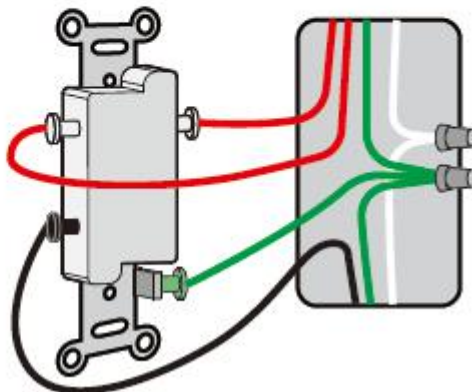


B 3-Way Switch

Two switches control the same light or the same bundle of lights.



3-Way 3-Way



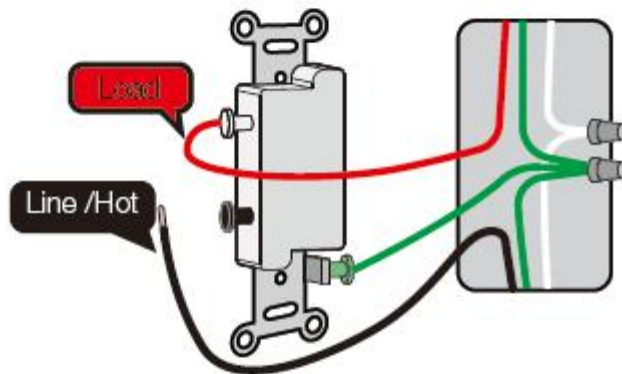
STEP 6

Identify Line/Load Wire

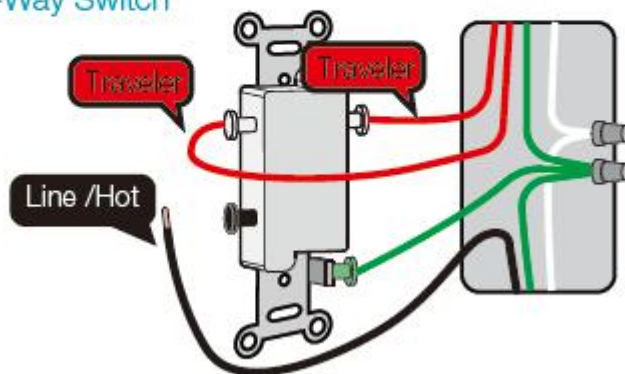
Note: The color of your wire may be different from the color shown on the manual.

LINE/LOAD wire (usually BLACK, attached with a black screw, and may be Remarked "common".)

A Single Pole Switch



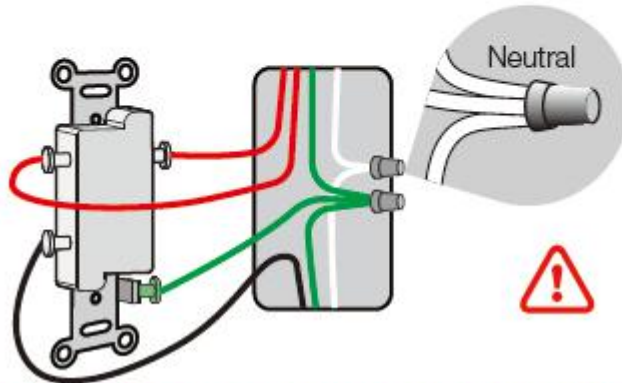
B 3-Way Switch



STEP 7

Find the NEUTRAL Wires

Neutral wire is required to install the smart light switch. Most likely a bundle of one or more white wires in the wall.



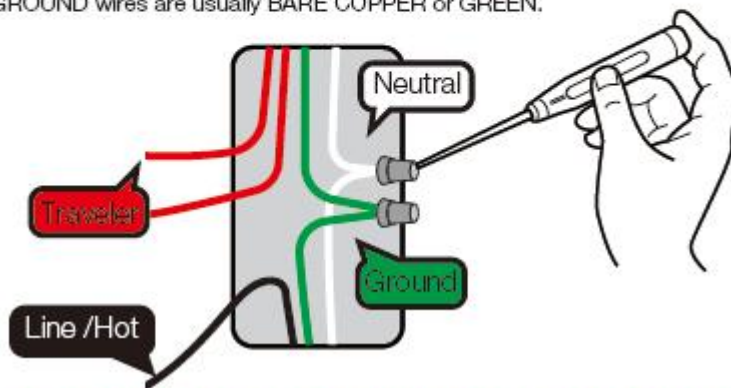
Note: If there is no neutral, please try another location or call an electrician for help.

STEP 8

Test NEUTRAL and GROUND Wires

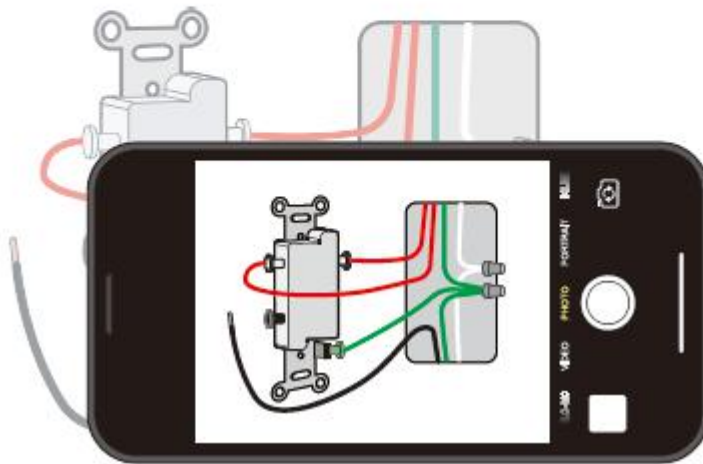
Make sure there is no power on the neutral wires from neighboring circuit. If necessary, shut off additional circuits until no voltage is found.

GROUND wires are usually BARE COPPER or GREEN.

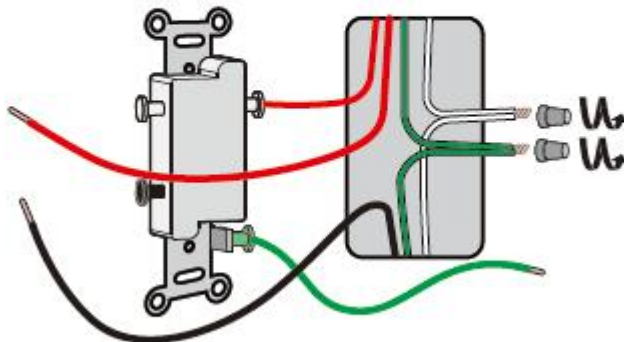


STEP 9

Take Pictures of the Wiring



Loosen the screw terminals and remove the old switch.

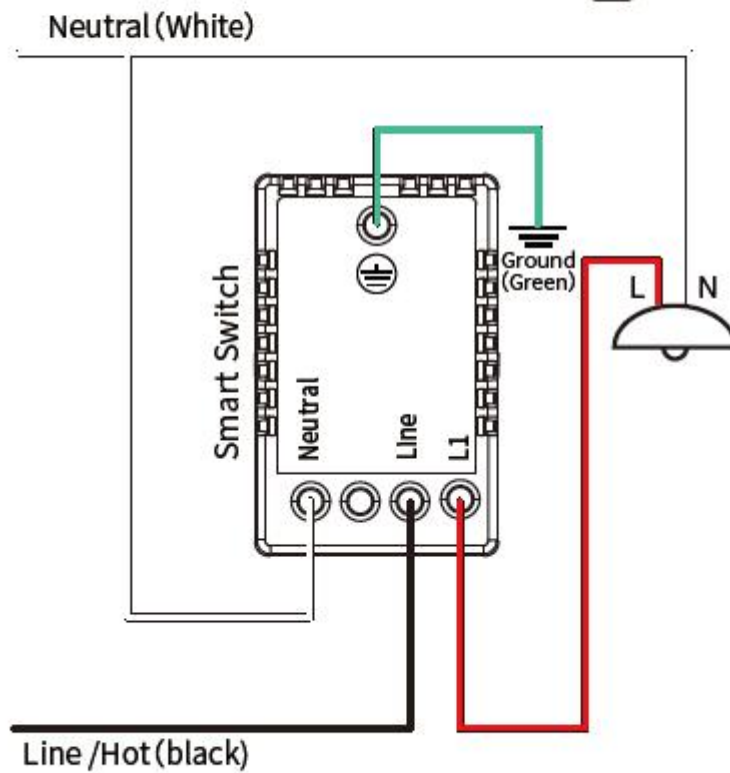
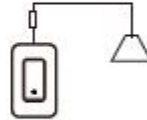


STEP 10

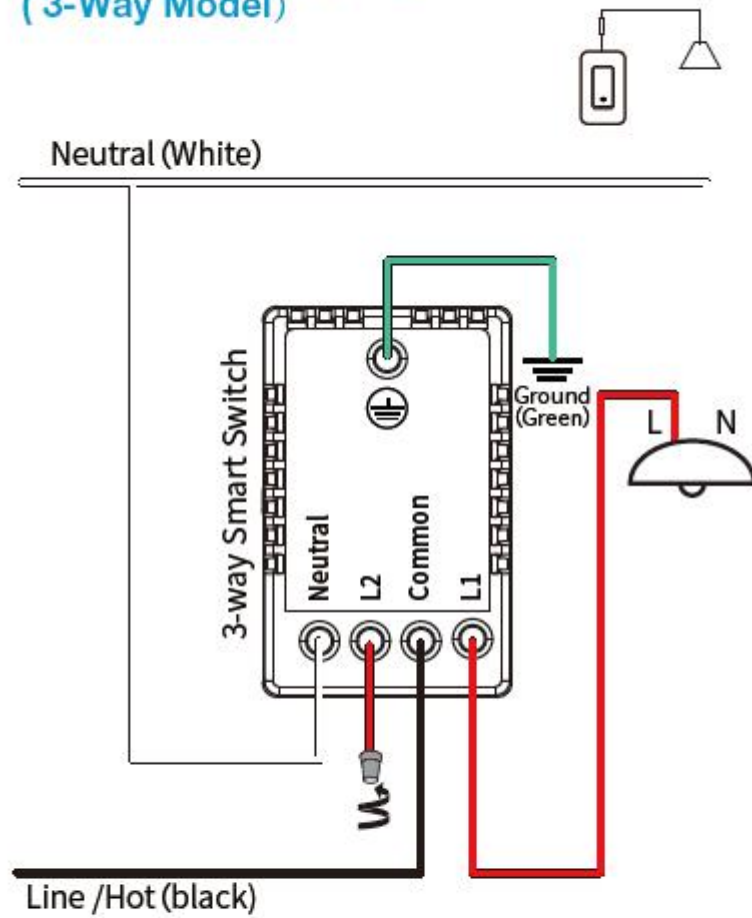
Wire the Smart Switch

Note: For more detailed content, please watch the wiring video on product page.

Single Pole Wiring Diagram



Single Pole Wiring Diagram (3-Way Model)

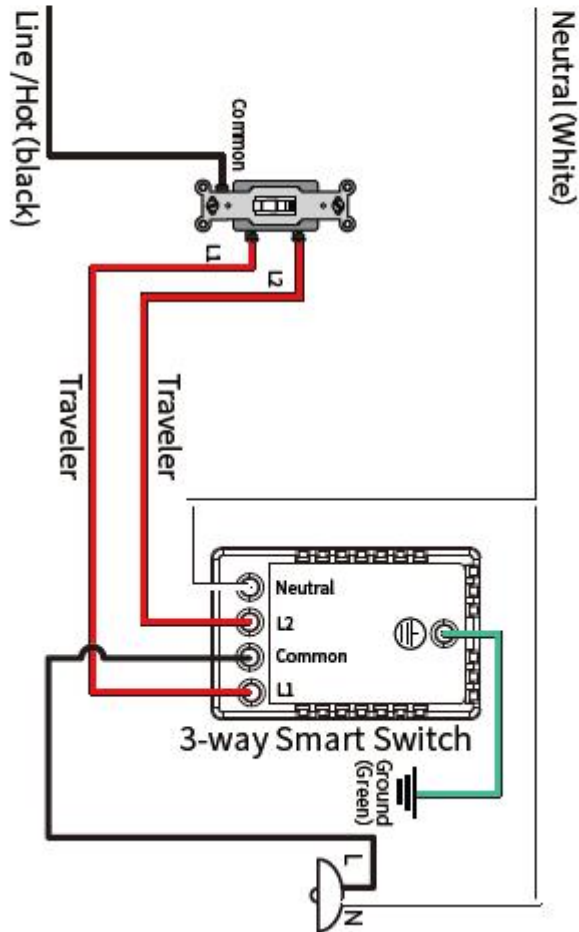
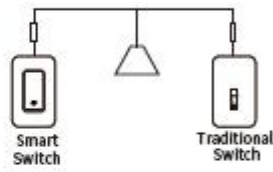


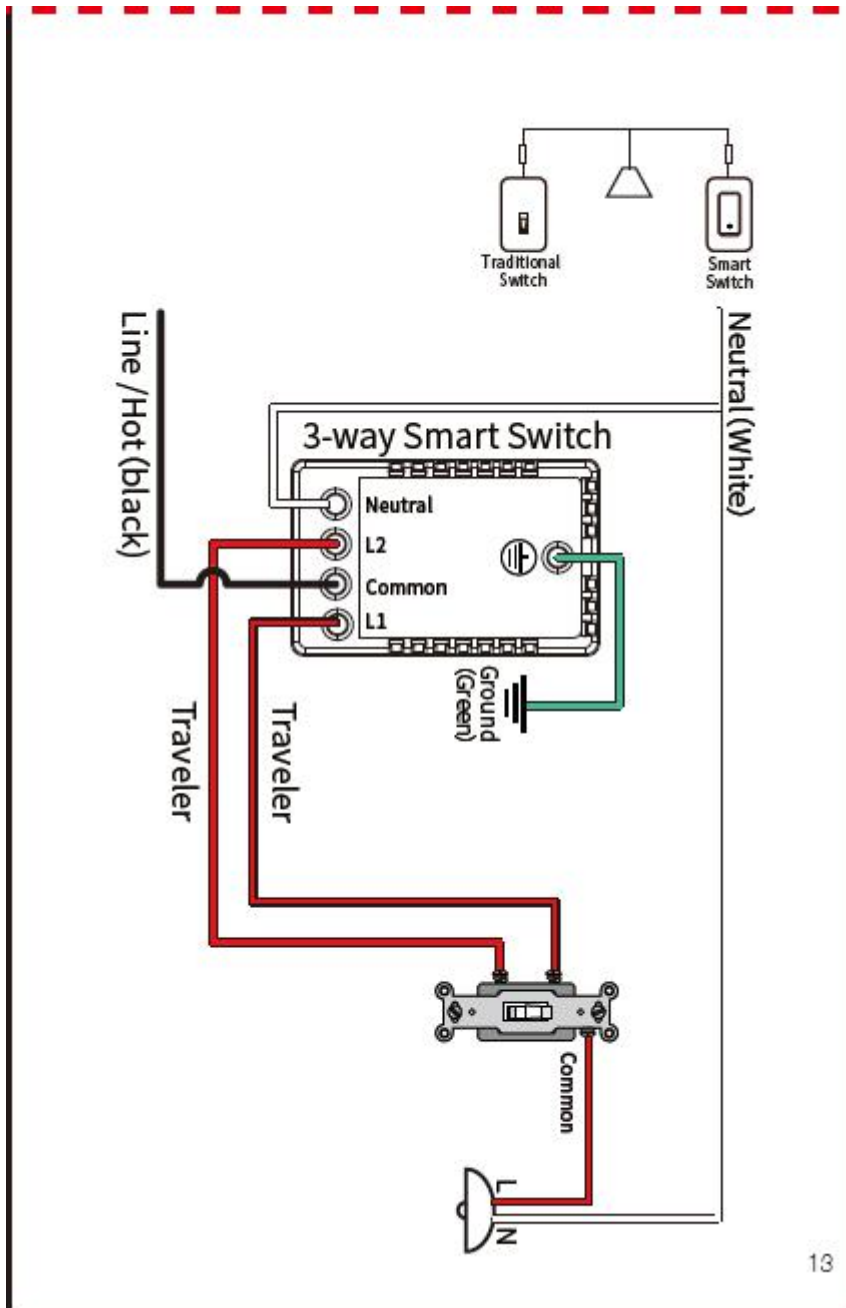
Line /Hot (black)

- Cap off the remaining L2 wire (RED) from the Switch with a wire nut.

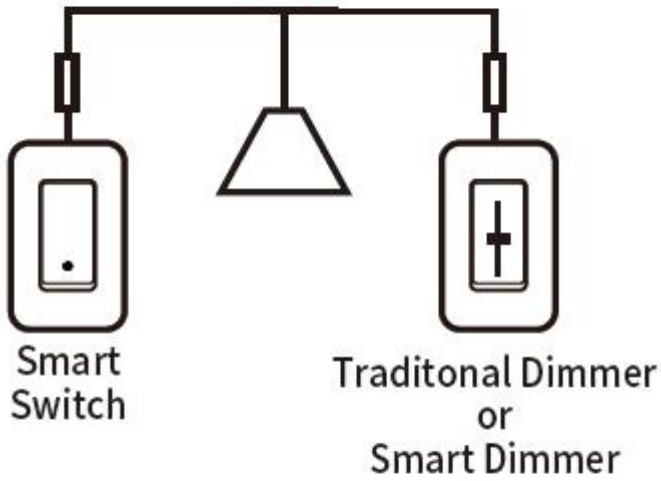
3-Way Wiring Diagram

Replace ONE of your REGULAR 3-WAY SWITCHES with SMART SWITCH



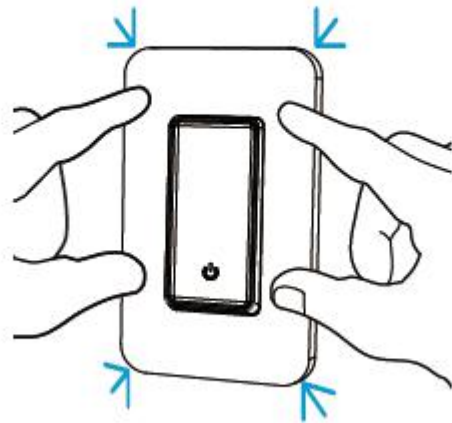
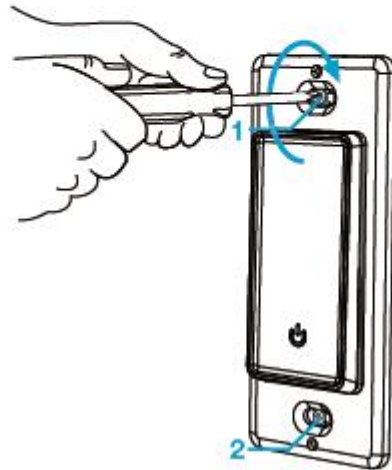


Not Working Situation



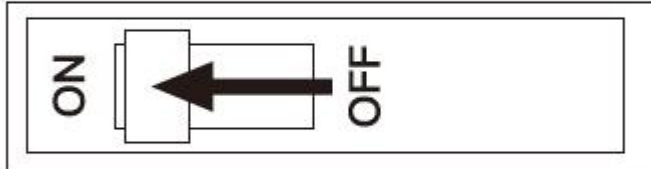
STEP 11

Mount the switch



STEP 12

Turn on the power



The light(s) may flash once during smart switch first time power up

07 Add Devices

STEP 1

Download Smart Life APP



Please scan QR code and download the Smart Life app
IOS or Android version

STEP 2

Register and login

Enter the Register/Login interface; tap "Register" to create an account by entering your phone number to get verification code and "Set password", Choose "Log In" if you already have a Smart Life account some third-party accounts log in directly.

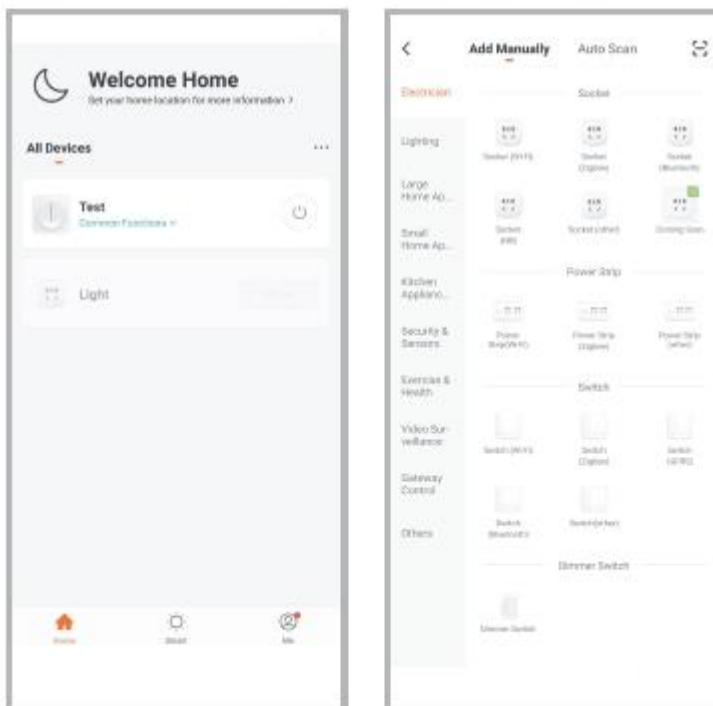
STEP 3

Add the Switch to APP

Preparation: Ensure the switch has connected with electricity; ensure your phone has connected to Wifi router and is able to connect to the internet.

Note: Zigbee and BLE MESH versions have slightly different to access the APP. Please make sure that the corresponding gateway is online, and then select the applicable gateway to add the switch(es).

- After the user login, Tap the "+" icon on the top right corner to add device; select the "switch" menu and choose the switch device icon.



STEP 3.1

Quick Configuration Mode

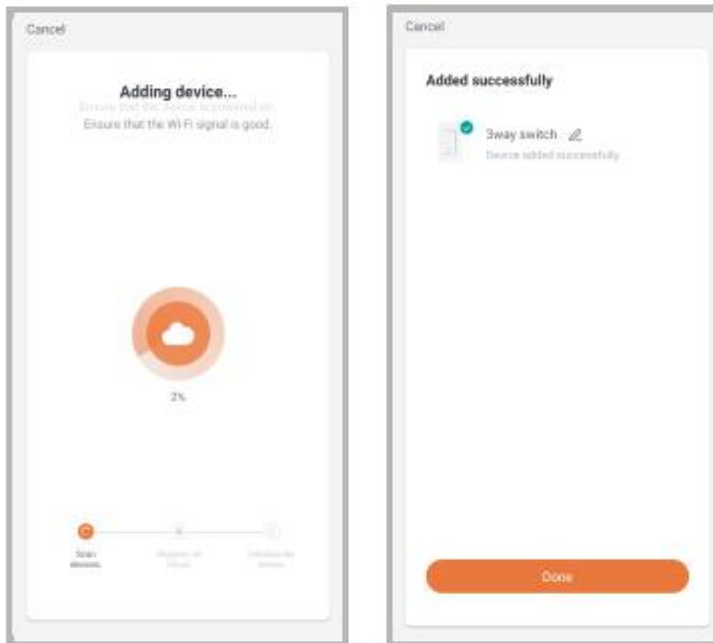
- Press and hold Switch button for 8s to reset the Switch and get into quick configure mode
- Select the WI-Fi and enter the password then click Next Wait for completing the connection.



Remark:

Smart phone and device must connect to same Wi-Fi during setup mode
The device must be added to the account before it can be controlled remotely
After the device is successfully accessed, other users can obtain control of the product through the sharing function.

- Wait system to search the device,connect and configure the device will takes up to 3min.
- Once the device configure successfully, please also input preferred name and select location.



Troubleshooting

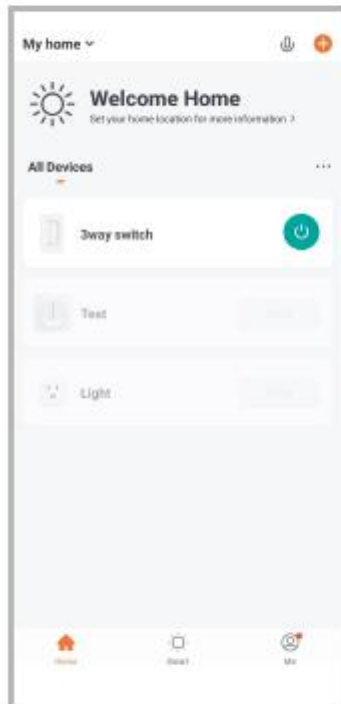
- Make sure you have good Wi-Fi signal strength at the location of the switch
- Metal box and MATEL Surface-wall board may block Wi-Fi signal
- Make sure input correct Wi-Fi password

STEP 4

All added devices can be viewed in the main menu of the APP

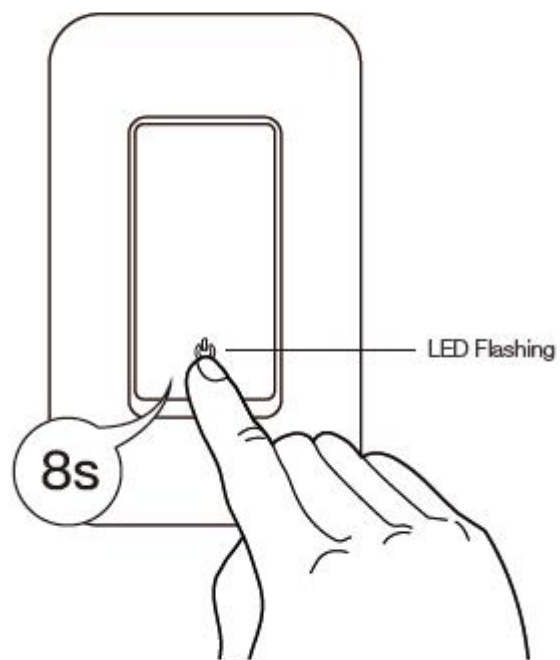
STEP 5

Control switch with APP



08 Reset

Press and hold Switch button for 8s until indicator flashing to reset the Switch and get into quick configure mode



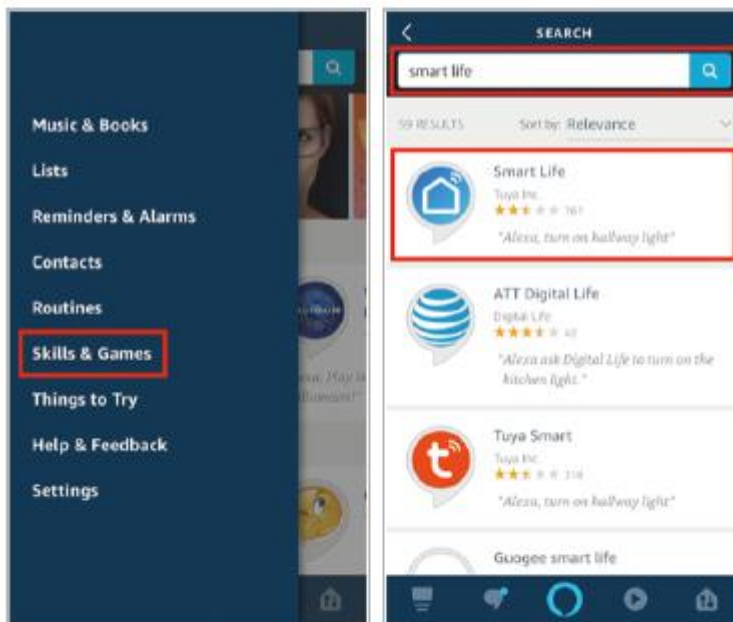
09 Smart Life Skills (Alexa)

STEP 1

Log in your Alexa account on a smart phone or a computer, then tap Home > Skills & Games

STEP 2

Search "Smart Life" and select the right one according the blue logo (same with App)

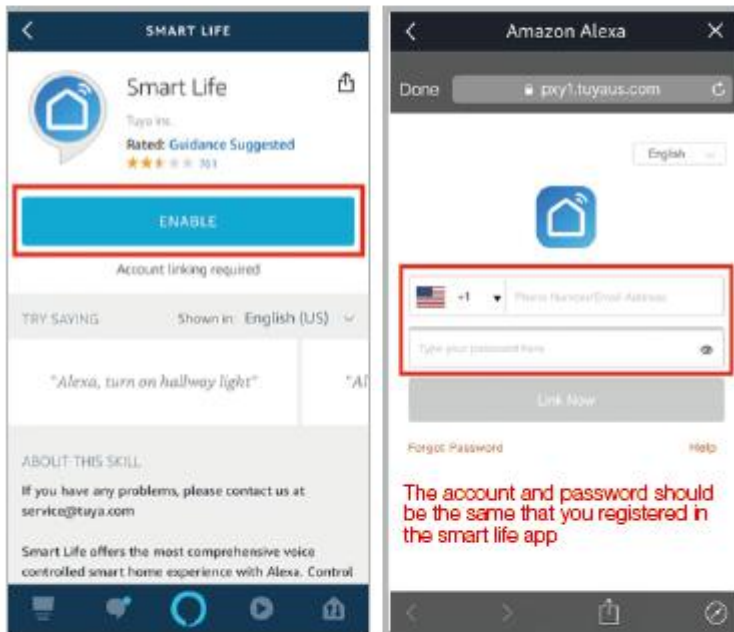


STEP 3

Enable the skill

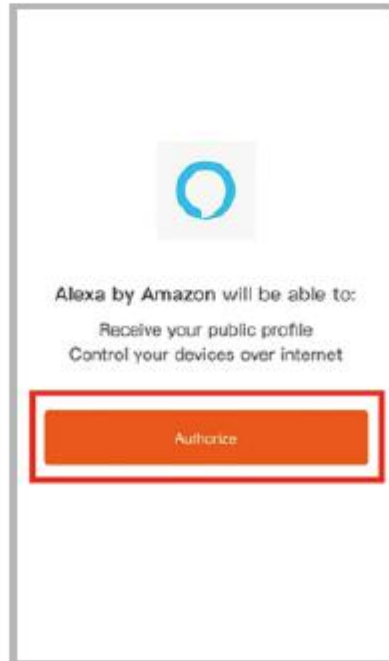
STEP 4

Login the account you registered on the App in Part 2, then click “Link Now”



STEP 5

The Account is linked successfully, and then tap Authorize to Complete.



STEP 6

Congratulations! Alexa Devices (Echo) can Control the Switch ON/OFF.

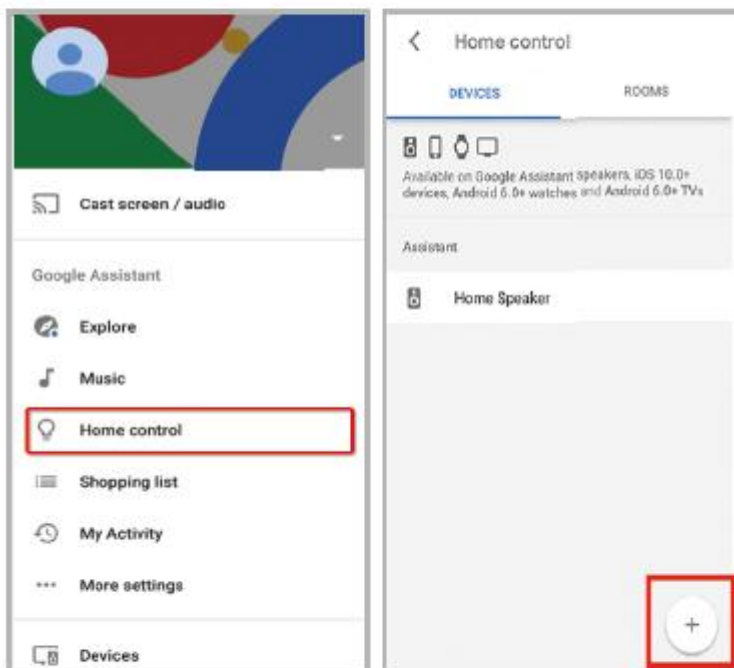
To add or delete switches, please delete or add them in the Smart Life App (See Part 2) and then the Alexa will synchronize automatically.

If you cannot see the name of switches in the Devices List in Alexa Page, You can click "Discover" in Alexa page it will synchronize from the Smart Life App.

10 Smart Life Skills (Google)

STEP 1

Find "Home Control" in the hamburger menu on the Google Home app's home page > Home Control > tap "+".

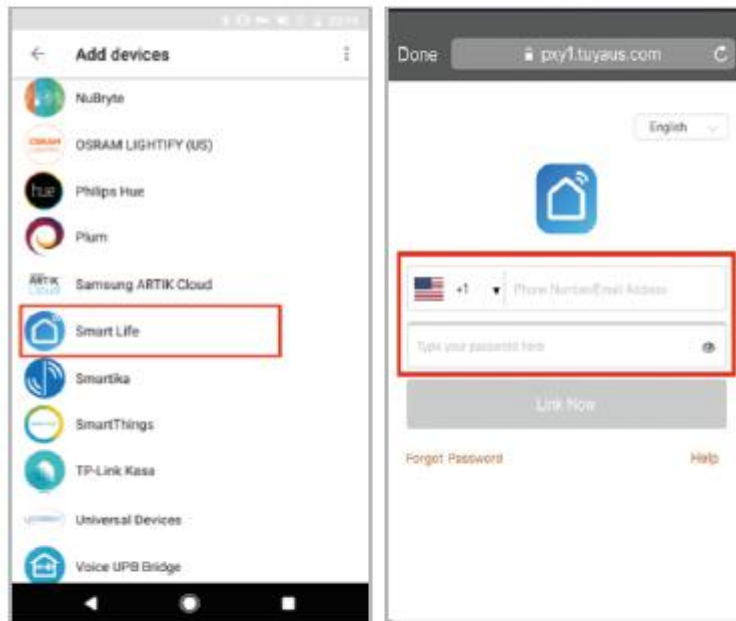


STEP 2

Find "Smart Life" in the list

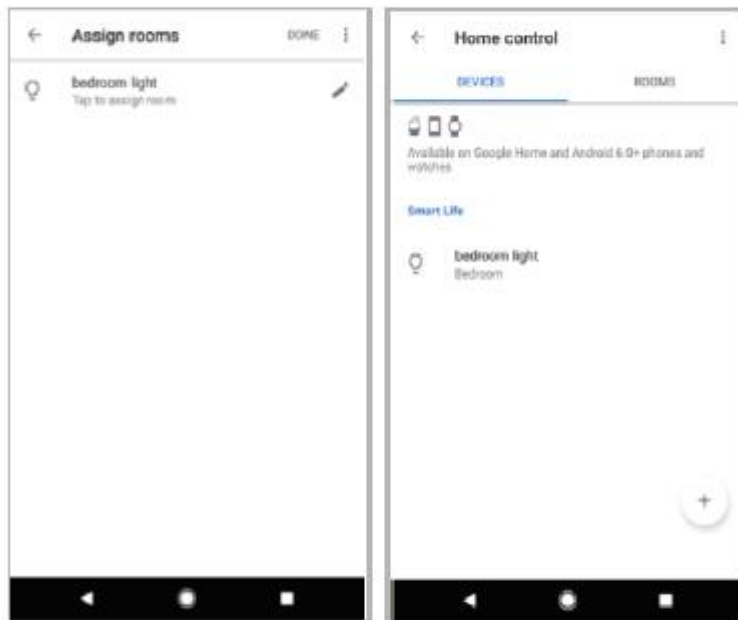
STEP 3

Input your Smart Life account and password you registered in Part 2, then tap "Link Now".



STEP 4

After you assign rooms for the Switch, your Switch will be listed in the Home Control page



STEP 5

Control your smart switch through Google Home
Now you can control your smart switch through Google Home.

If you set the name as "bedroom light", the supported voice commands are as below:

Ok Google, turn on bedroom light.

Ok Google, set bedroom light to 50%.

FCC Caution

- This device complies with part 15 of the FCC Rules. Operation is subject to the following two conditions:
 - (1) This device may not cause harmful interference, and
 - (2) this device must accept any interference received, including interference that may cause undesired operation.
- § 15.21 Information to user.

Any Changes or modifications not expressly approved by the party responsible for compliance could void the user's authority to operate the equipment.
- § 15.105 Information to the user.

Note: This equipment has been tested and found to comply with the limits for a Class B digital device, pursuant to part 15 of the FCC Rules. These limits are designed to provide reasonable protection against harmful interference in a residential installation. This equipment generates uses and can radiate radio frequency energy and, if not installed and used in accordance with the instructions, may cause harmful interference to radio communications. However, there is no guarantee that interference will not occur in a particular installation. If this equipment does cause harmful interference to radio or television reception, which can be determined by turning the equipment off and on, the user is encouraged to try to correct the interference by one or more of the following measures:

 - Reorient or relocate the receiving antenna.
 - Increase the separation between the equipment and receiver.
 - Connect the equipment into an outlet on a circuit different from that to which the receiver is connected.
 - Consult the dealer or an experienced radio/TV technician for help.
- This equipment complies with FCC radiation exposure limits set forth for an uncontrolled environment. This equipment should be installed and operated with minimum distance 20cm between the radiator & your body.

IC Caution

- This device complies with Industry Canada licence-exempt RSS standard(s).
Operation is subject to the following two conditions:
(1) This device may not cause interference, and
(2) This device must accept any interference, including interference that may cause undesired operation of the device.
- Le présent appareil est conforme aux CNR d'Industrie Canada applicables aux appareils radio exempts de licence.
L'exploitation est autorisée aux deux conditions suivantes:
(1) l'appareil ne doit pas produire de brouillage, et
(2) l'utilisateur de l'appareil doit accepter tout brouillage radioélectrique subi, même si le brouillage est susceptible d'en compromettre le fonctionnement.
- This equipment complies with IC radiation exposure limits set forth for an uncontrolled environment. This equipment should be installed and operated with minimum distance 20cm between the radiator & your body.