

packard bell



ALL-IN-ONE COMPUTER

A24450 Quick Start Guide

Safety precautions

- During charging, keep your laptop and adaptor near room temperature for efficient battery charging.
- New batteries are not fully charged.
- New batteries or batteries stored for a long time may take more time to charge.
- The included adaptor is intended for indoor use only.
- Service should only be provided by an authorized service provider.
- Never attempt to disassemble, repair or modify the laptop yourself.
- Do not use the laptop in rain or other wet locations.
- Avoid spilling any liquid on the laptop.
- In case the laptop gets wet, unplug all cables and turn off the laptop.
- Do not attempt to dry the laptop with an external heat source.
- Unplug all cables and turn off the laptop before cleaning.
- Use a soft, lint-free cloth to clean the laptop and display.
- Avoid getting moisture in open ports.
- Do not use household cleaners, solvents, alcohol, or abrasives to clean the laptop.
- Routinely check the laptop for proper and safe conditions. If there is any damage, or broken parts, remove the laptop from use.
- If for any reason the screen (display) is fractured or cracked, immediately remove this product from use and contact Customer Support.
- It is rare but possible for seizures to be triggered by light flashes or patterns such as those on laptop or TV screens. To reduce exposure to this potential hazard, play/watch in a well-lit room, sit an appropriate distance from the screen and take 10 to 15-minute breaks every hour.
- Cords could be a strangulation hazard.
- Keep out of reach of children under 3 years of age.
- Children pulling on the cord could cause the laptop or other equipment to which the device is connected to fall with possibility of property damage, serious injury, or death. Adult supervision required during use.
- Long-term exposure to loud sounds, at high volume, may result in permanent hearing loss.
- When using headphones or earbuds, it is recommended that the product is listened to at lower volumes for shorter periods of time. Set the volume while in a quiet environment; turn the volume down if you cannot hear the people speaking near you.
- Limit the listening time to 90 minutes, followed by a quiet period. The louder the volume, the less time required before your hearing may be affected.
- If you experience ringing in your ears or hear muffled speech, stop listening and have your hearing checked.

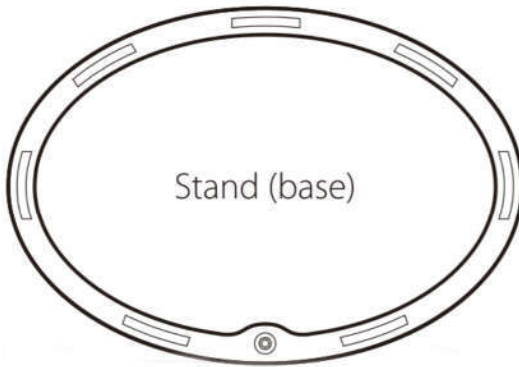
In the box



All-IN-ONE Computer (AIO)



Keyboard



Stand (base)



Quick start guide



Screwdriver



Stand (arm)



14mm 8mm

Screws (x2)



Back panel



4mm x2

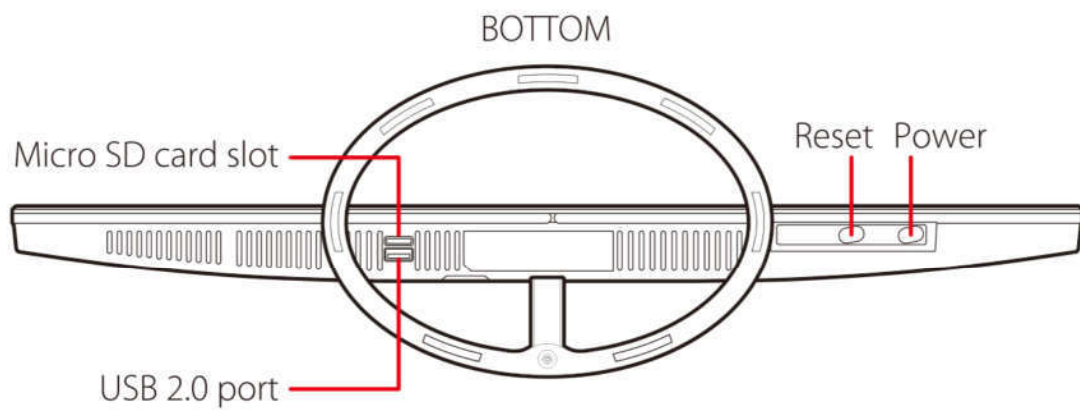
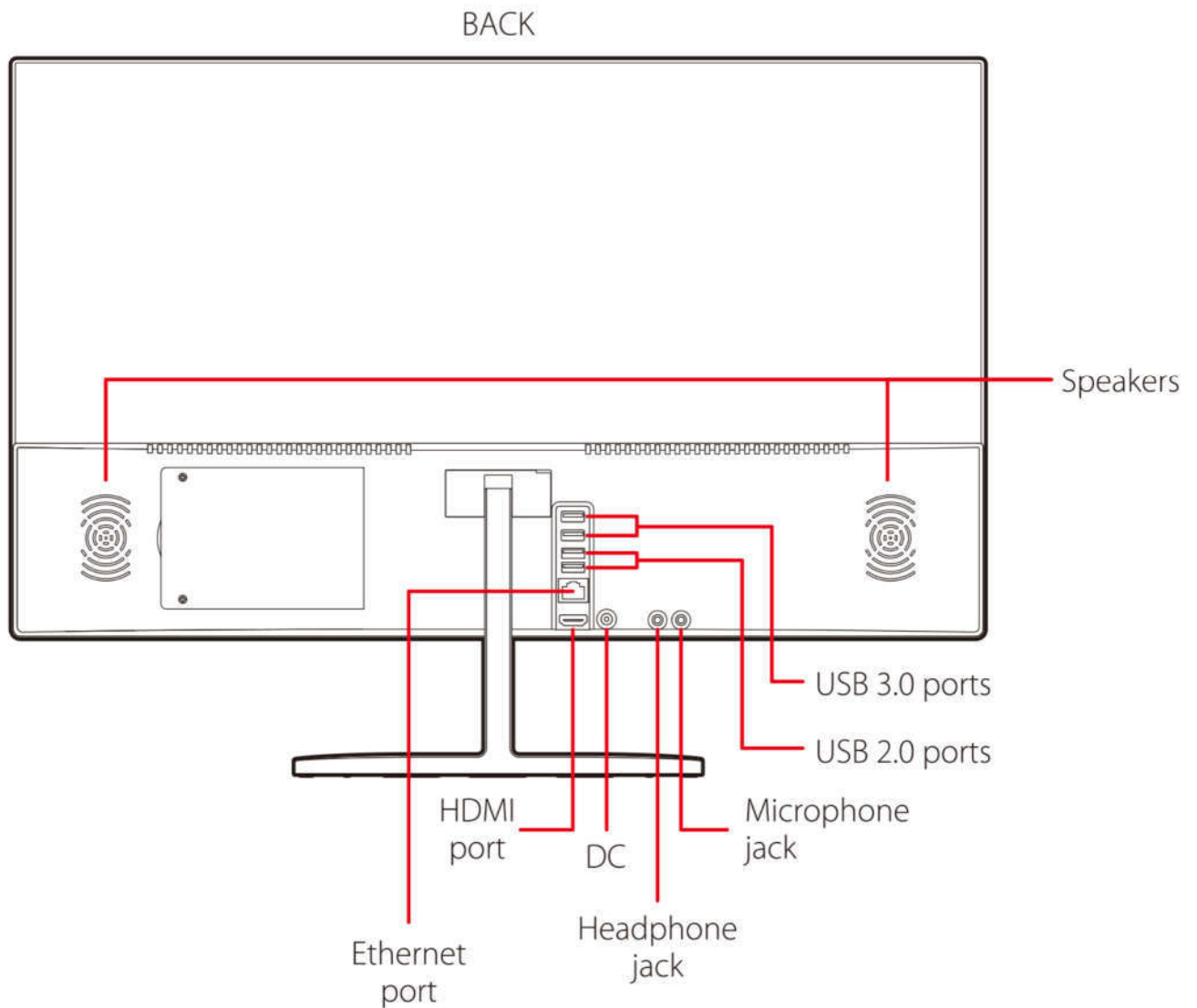


5mm x2



SATA drive bracket

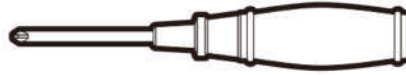
Ports and connections



Assembling the All-In-One computer (AIO)

1. Take out and identify the following items inside the box:

- Screwdriver
- 3 screws (1x 14mm, 2x 8mm)
An extra set of screws is provided for your convenience.
- Stand (arm)
- Stand (base)

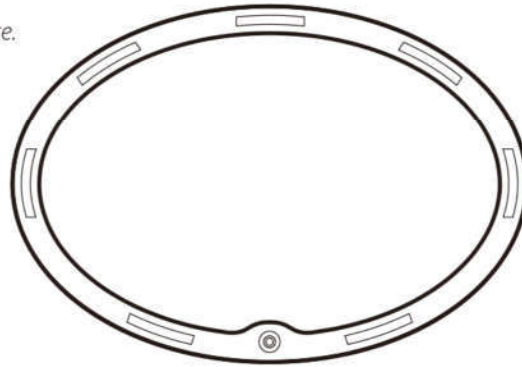


Screwdriver



14mm 8mm

Screws

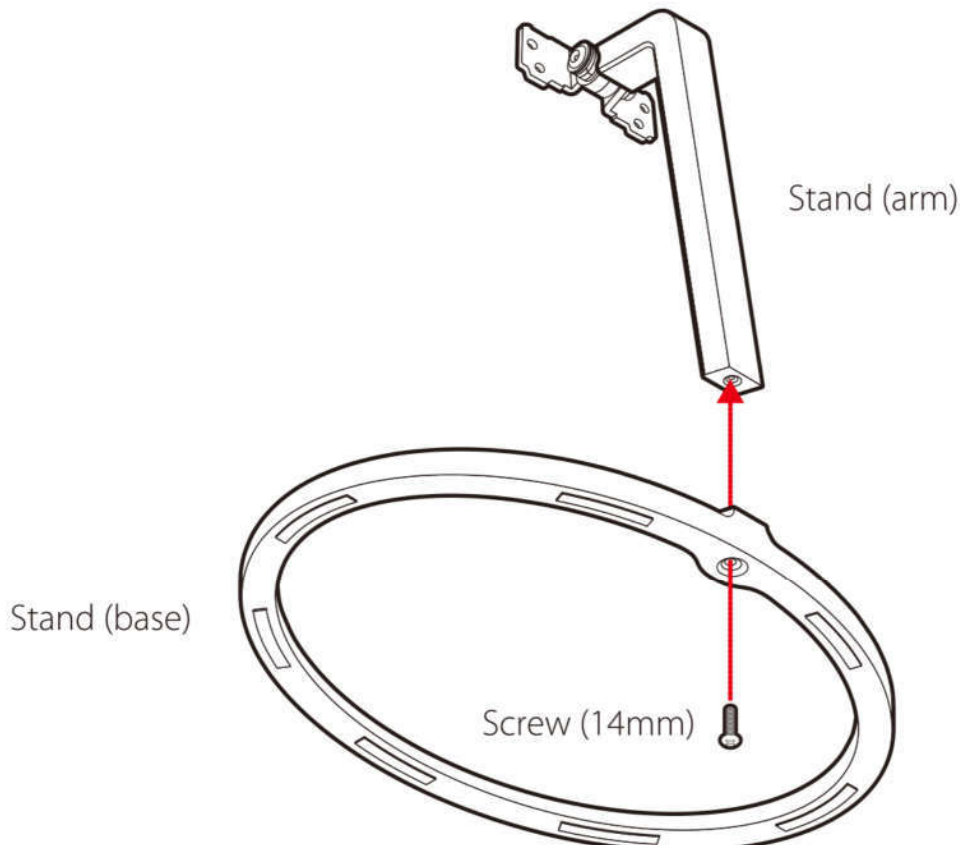


Stand (base)



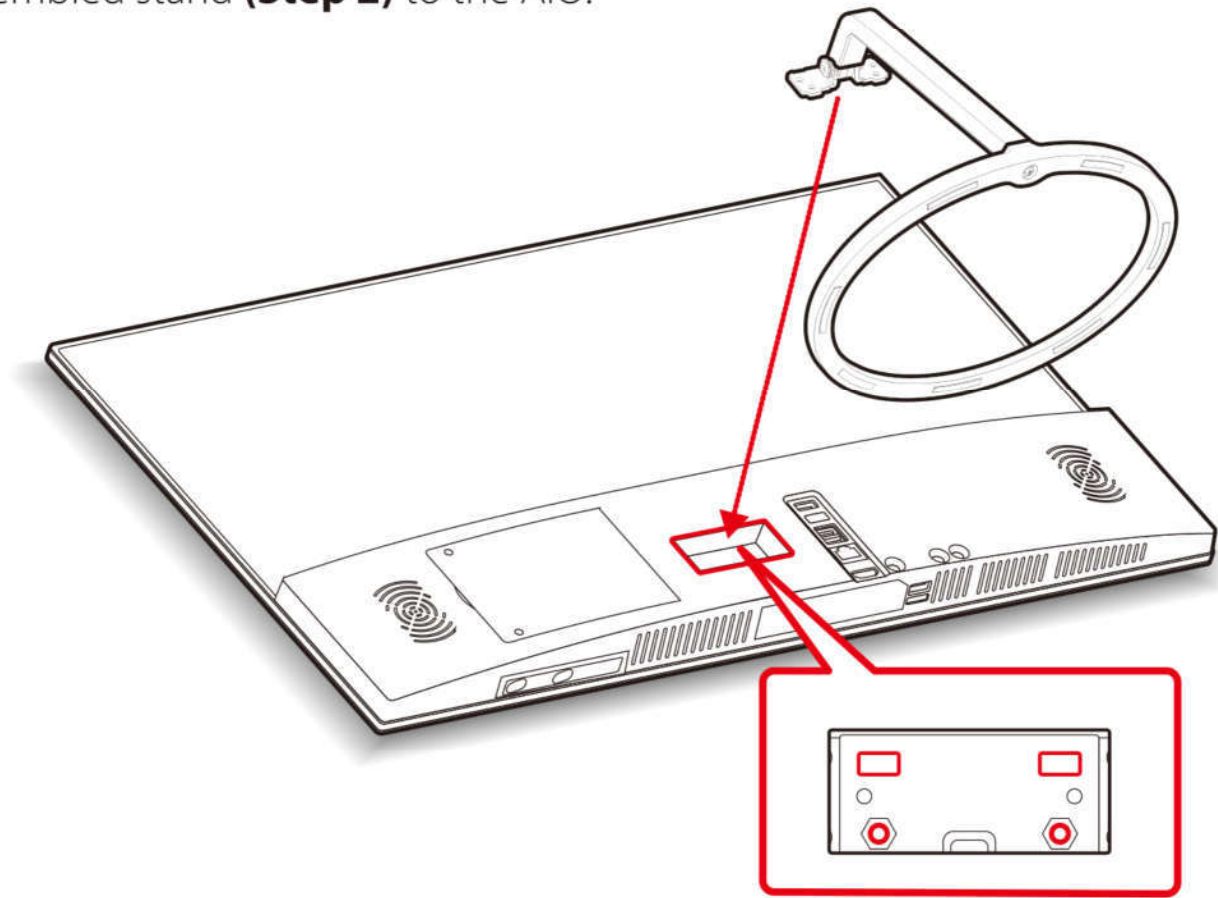
Stand (arm)

2. Using the provided screwdriver, secure the stand (base) to the stand (arm) with the 14mm screw.

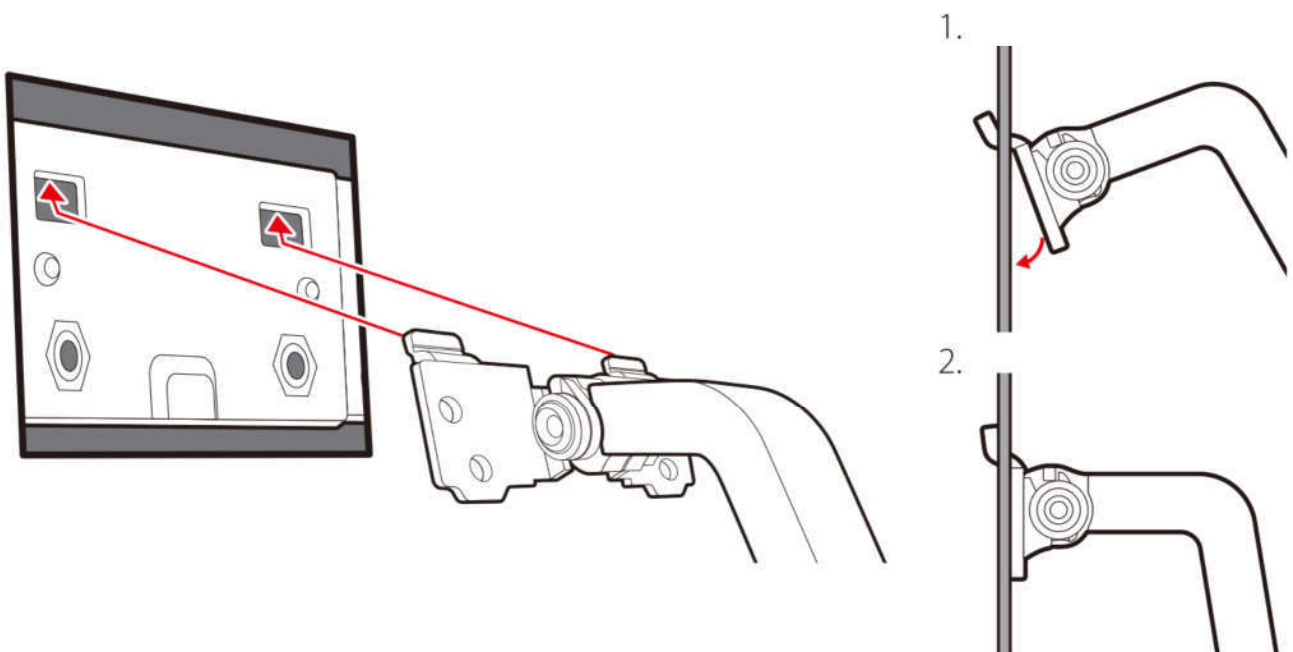


Assembling the All-In-One computer (AIO)

3. Carefully place the All-In-One computer (AIO) screen facedown, and attach the assembled stand (**Step 2**) to the AIO.

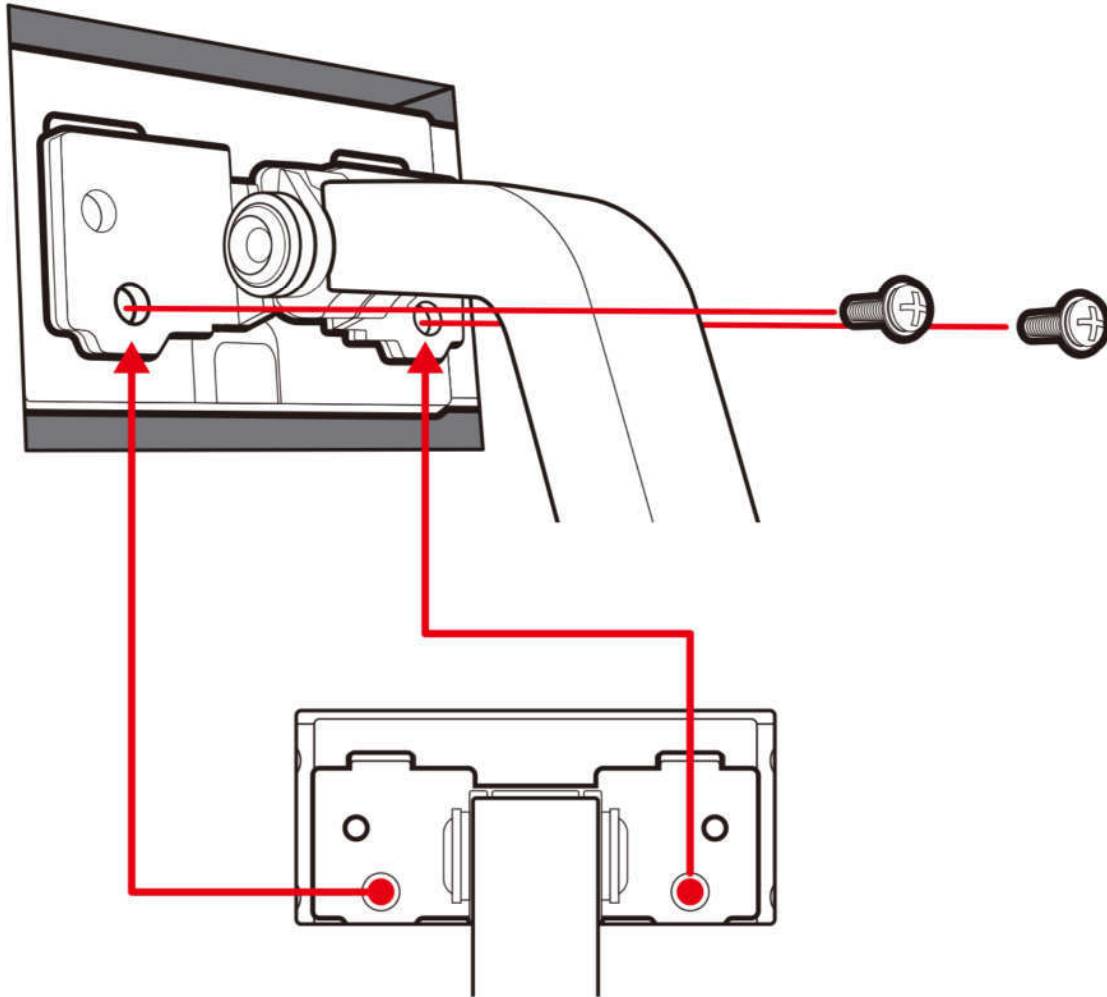


4. Tilt the top of the arm mount bracket to fit inside the rectangular holes on the top and slowly push down until flush.



Assembling the All-In-One computer (AIO)

5. Using the provided screwdriver, attach the arm mount with two 8mm screws until tight.



Mounting holes are located at the bottom of the bracket as shown above.

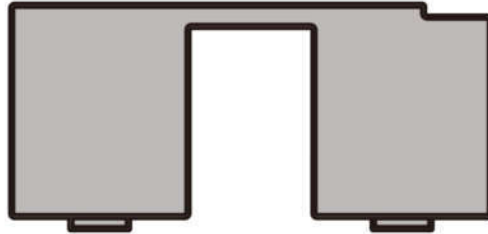
NOTE: The tip of the provided screwdriver is magnetic to ease assembly by holding the screws in place while attaching.



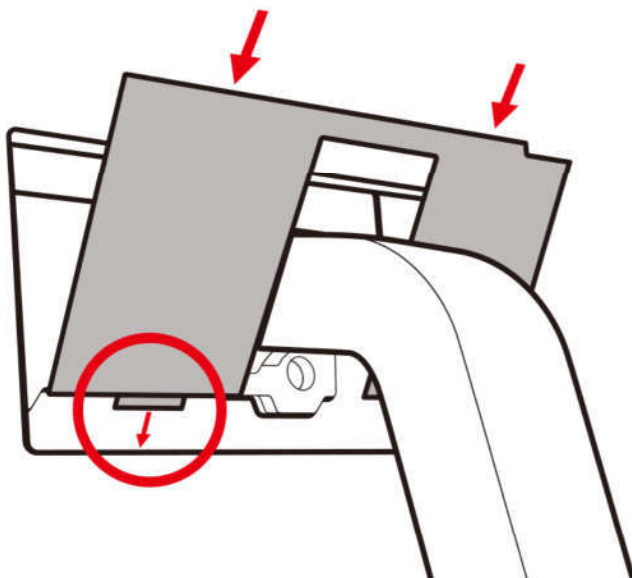
Assembling the All-In-One computer (AIO)

6. Attaching the back panel (included)

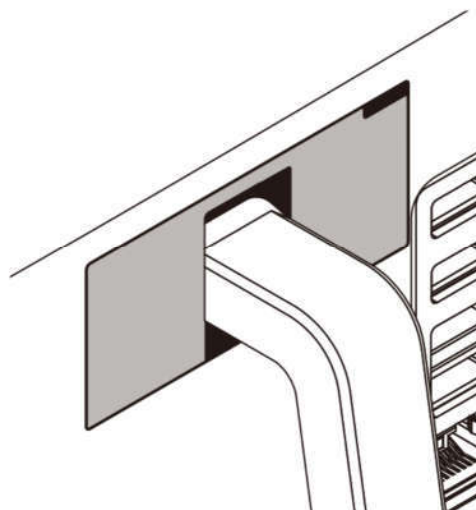
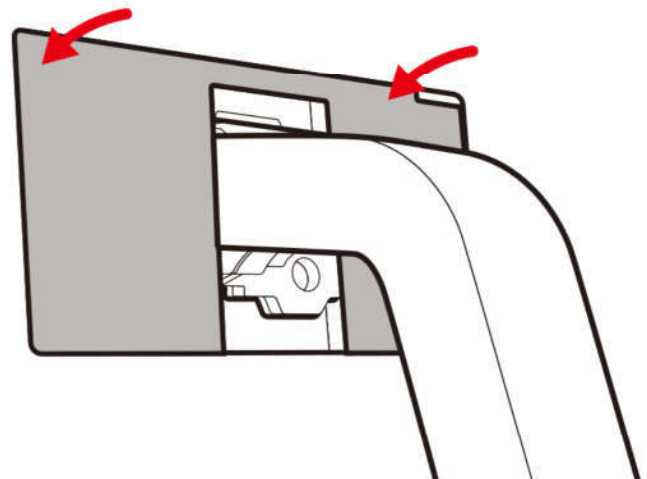
Back panel



① Insert the flanges at the bottom first.

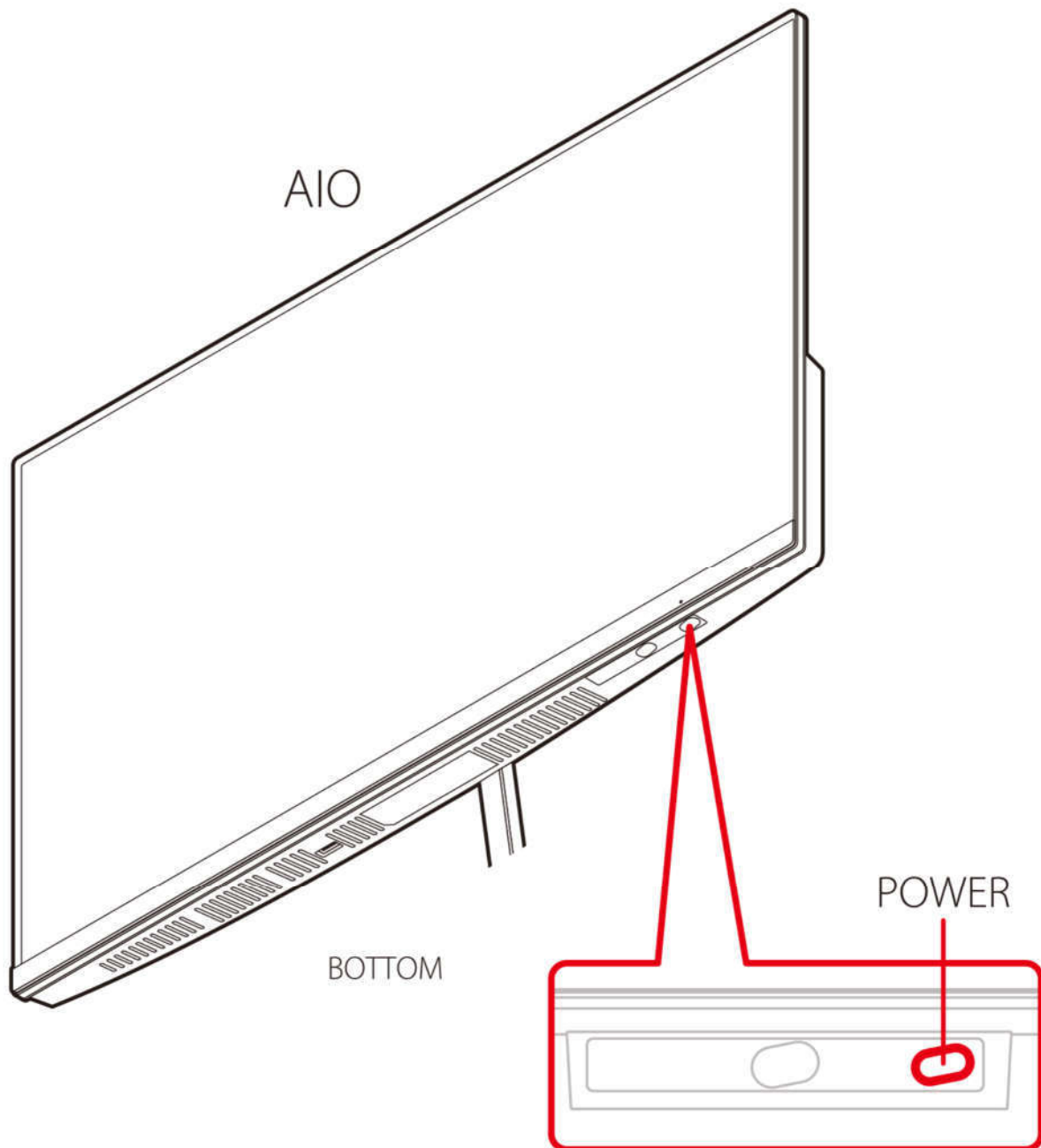


② Snap the top into place.



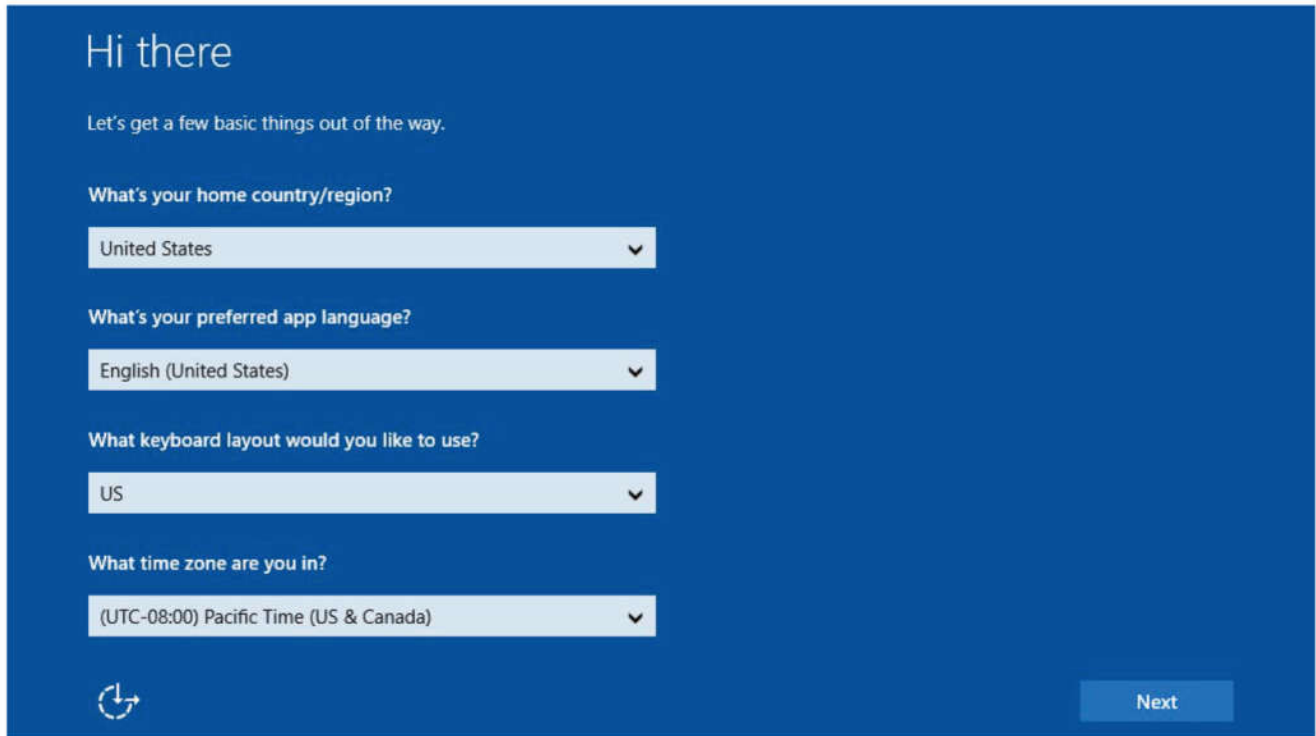
Powering on/off

Press and hold the POWER button on the bottom of the AIO as shown below until the display turns on or off.



Completing initial setup

1. Complete the initial Windows setup by choosing your country/region, language, keyboard layout, and time zone.



Hi there

Let's get a few basic things out of the way.

What's your home country/region?

United States

What's your preferred app language?

English (United States)

What keyboard layout would you like to use?

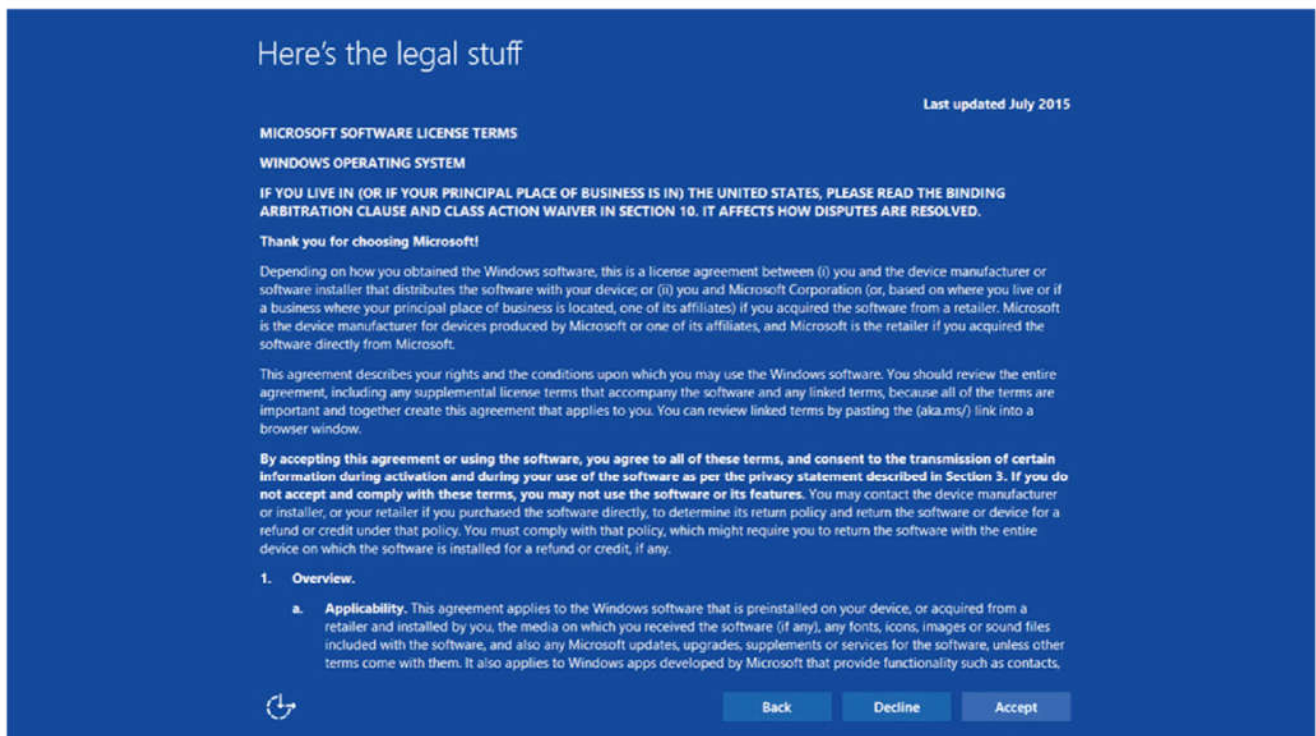
US

What time zone are you in?

(UTC-08:00) Pacific Time (US & Canada)

Next

2. Agree to Microsoft's legal terms.



Here's the legal stuff

Last updated July 2015

MICROSOFT SOFTWARE LICENSE TERMS

WINDOWS OPERATING SYSTEM

IF YOU LIVE IN (OR IF YOUR PRINCIPAL PLACE OF BUSINESS IS IN) THE UNITED STATES, PLEASE READ THE BINDING ARBITRATION CLAUSE AND CLASS ACTION WAIVER IN SECTION 10. IT AFFECTS HOW DISPUTES ARE RESOLVED.

Thank you for choosing Microsoft!

Depending on how you obtained the Windows software, this is a license agreement between (i) you and the device manufacturer or software installer that distributes the software with your device; or (ii) you and Microsoft Corporation (or, based on where you live or if a business where your principal place of business is located, one of its affiliates) if you acquired the software from a retailer. Microsoft is the device manufacturer for devices produced by Microsoft or one of its affiliates, and Microsoft is the retailer if you acquired the software directly from Microsoft.

This agreement describes your rights and the conditions upon which you may use the Windows software. You should review the entire agreement, including any supplemental license terms that accompany the software and any linked terms, because all of the terms are important and together create this agreement that applies to you. You can review linked terms by pasting the (aka.ms/) link into a browser window.

By accepting this agreement or using the software, you agree to all of these terms, and consent to the transmission of certain information during activation and during your use of the software as per the privacy statement described in Section 3. If you do not accept and comply with these terms, you may not use the software or its features. You may contact the device manufacturer or installer, or your retailer if you purchased the software directly, to determine its return policy and return the software or device for a refund or credit under that policy. You must comply with that policy, which might require you to return the software with the entire device on which the software is installed for a refund or credit, if any.

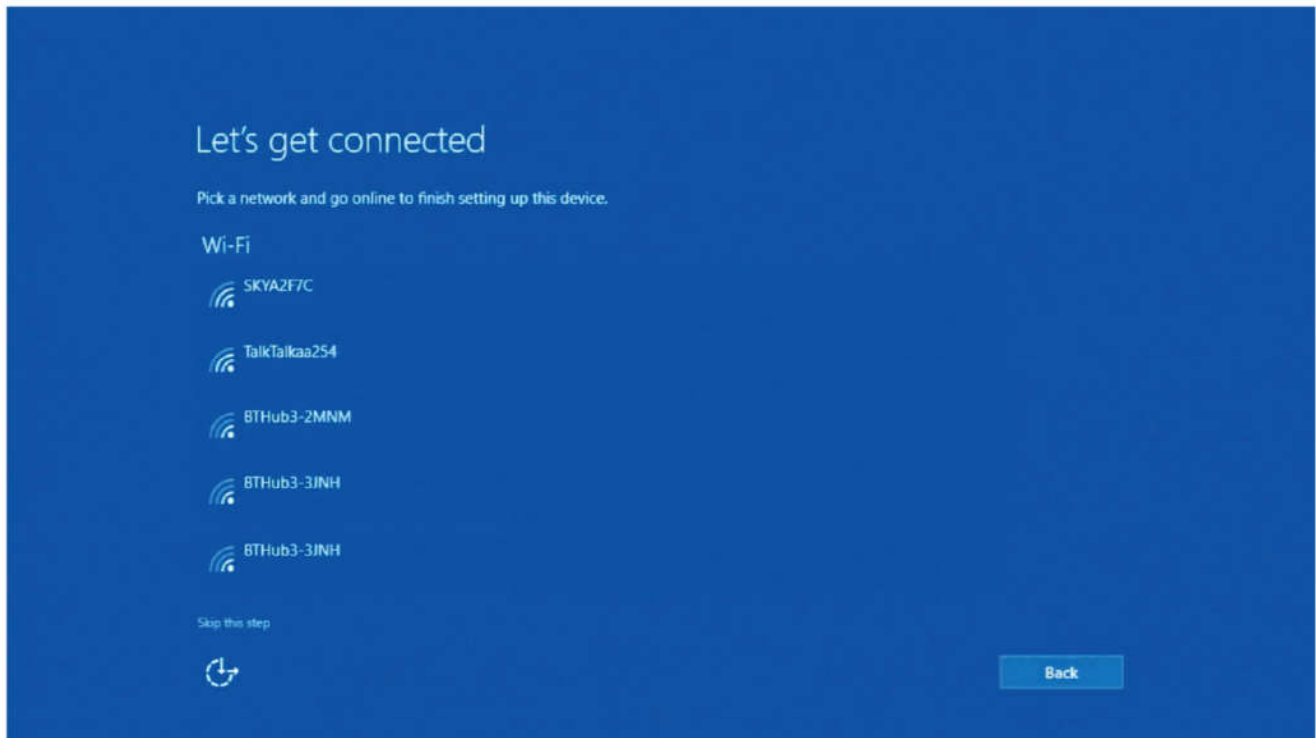
1. Overview.

a. **Applicability.** This agreement applies to the Windows software that is preinstalled on your device, or acquired from a retailer and installed by you, the media on which you received the software (if any), any fonts, icons, images or sound files included with the software, and also any Microsoft updates, upgrades, supplements or services for the software, unless other terms come with them. It also applies to Windows apps developed by Microsoft that provide functionality such as contacts.

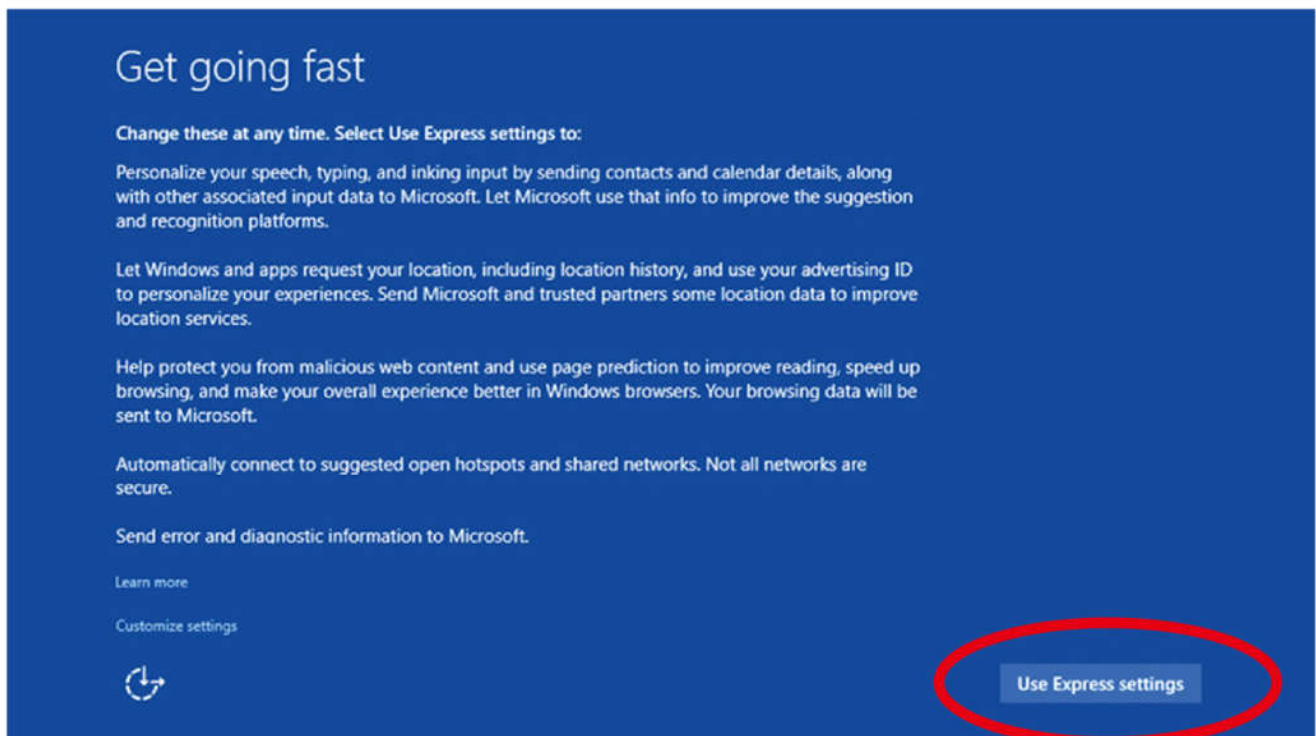
Back Decline Accept

Completing initial setup

3. Connect to your Wi-Fi network.



4. Select "Use Express settings" (recommended) found at the bottom right or select "Customize settings" (advanced users) found at the bottom left to finish your initial setup.

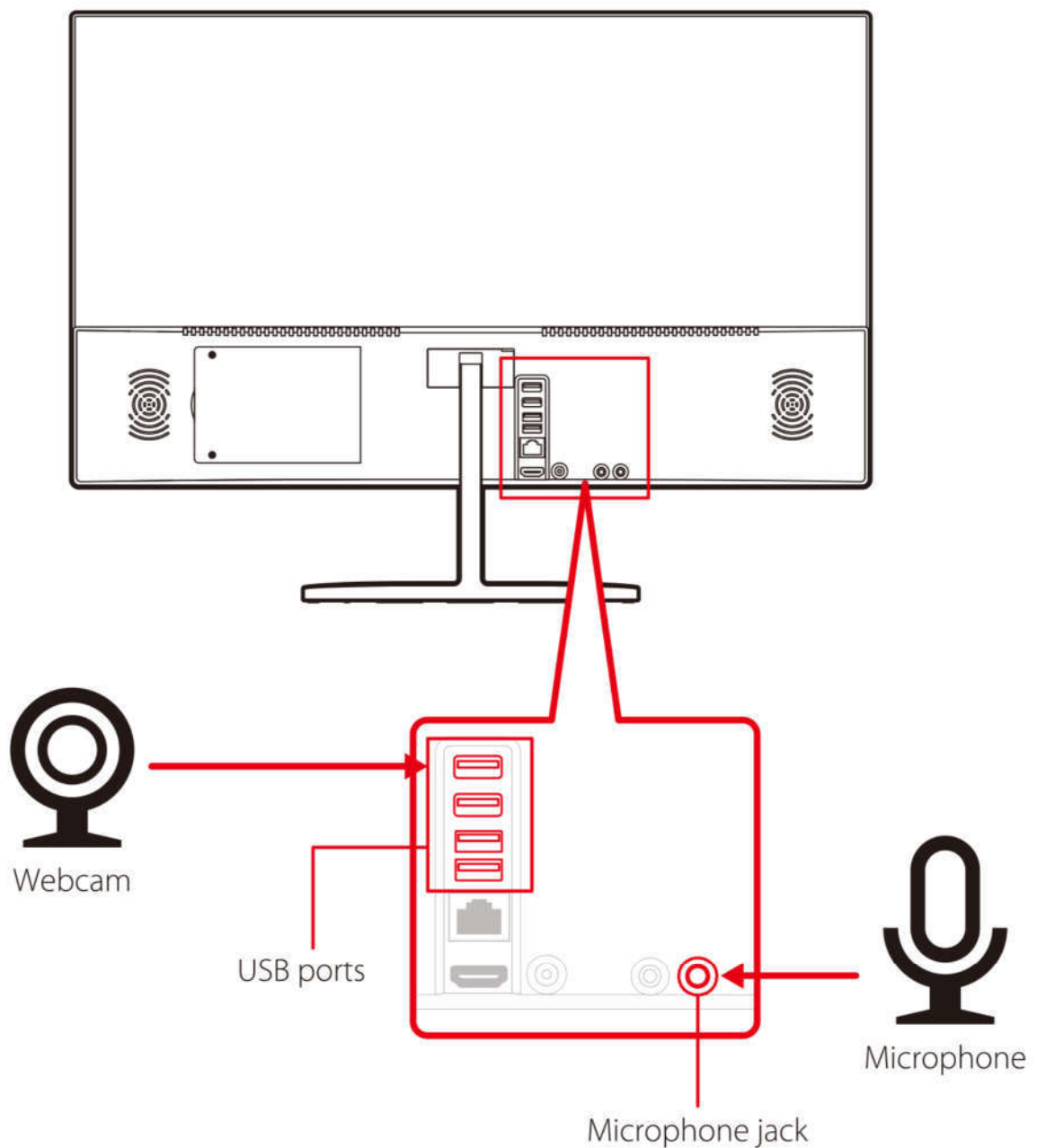


Video and microphone input

To use an app that requires a microphone or video input such as Cortana and Skype, you must connect a microphone or webcam.



BACK



Installing additional storage (optional)

The AIO has a total of 32GB of internal storage space, part of which is occupied with the Windows OS and preinstalled apps. To increase the system storage space, you can install a 2.5" SATA drive (not included) in the internal SATA drive bay accessible from the back of the AIO.



2.5" SATA drive

1. Take out and identify the following items inside the box:

- Screwdriver
- 1x SATA drive bracket
- 2x 5mm screws
- 2x 4mm screws



Screwdriver



SATA drive bracket

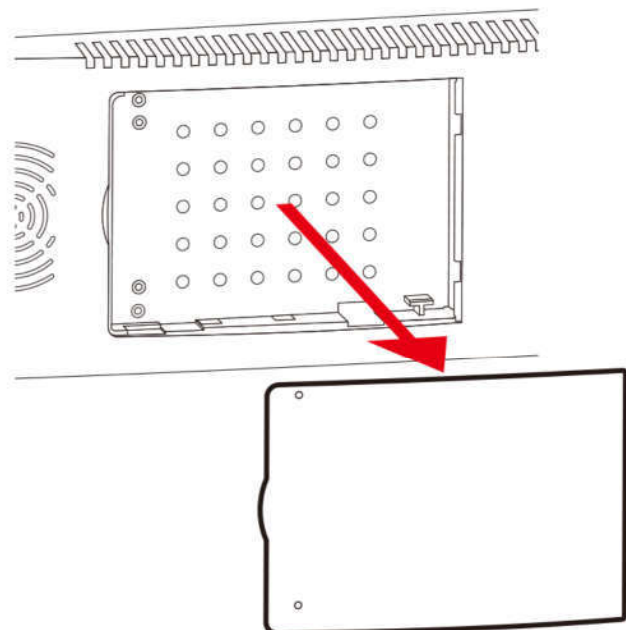
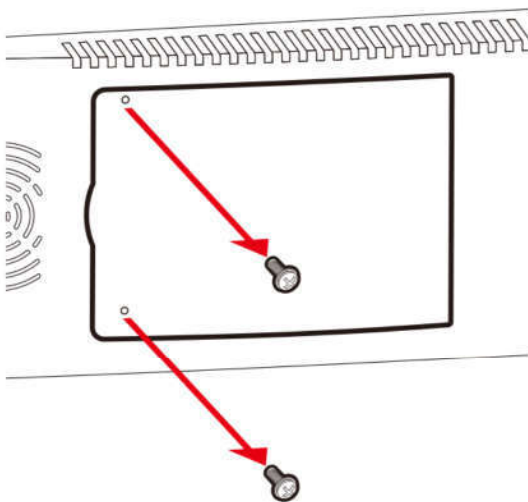


4mm x2



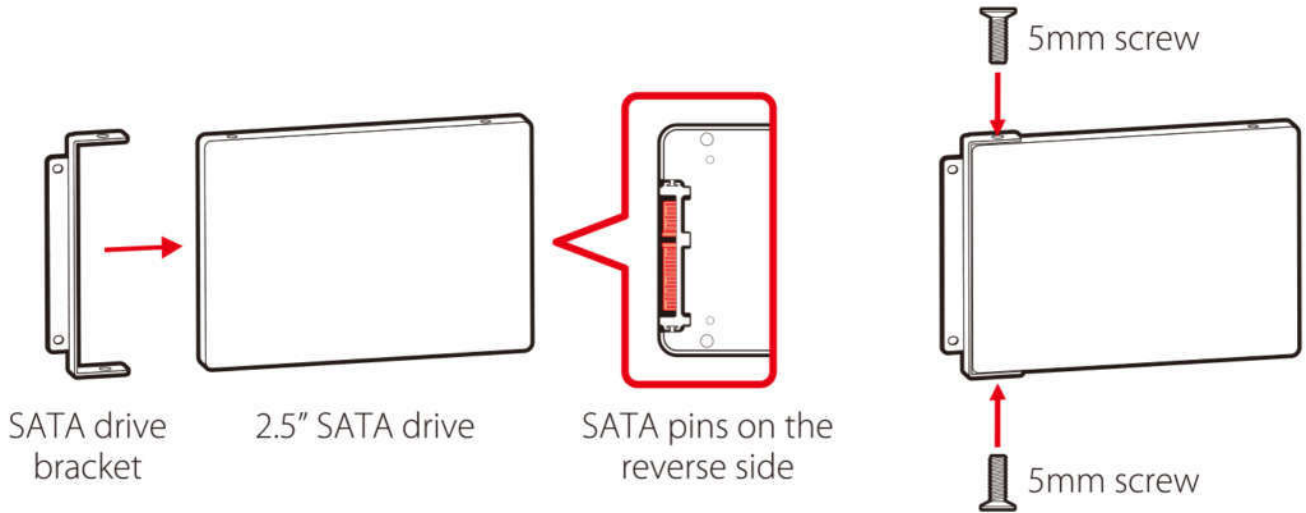
5mm x2

2. Use a screwdriver to remove the screws securing the panel located on the back of the AIO.

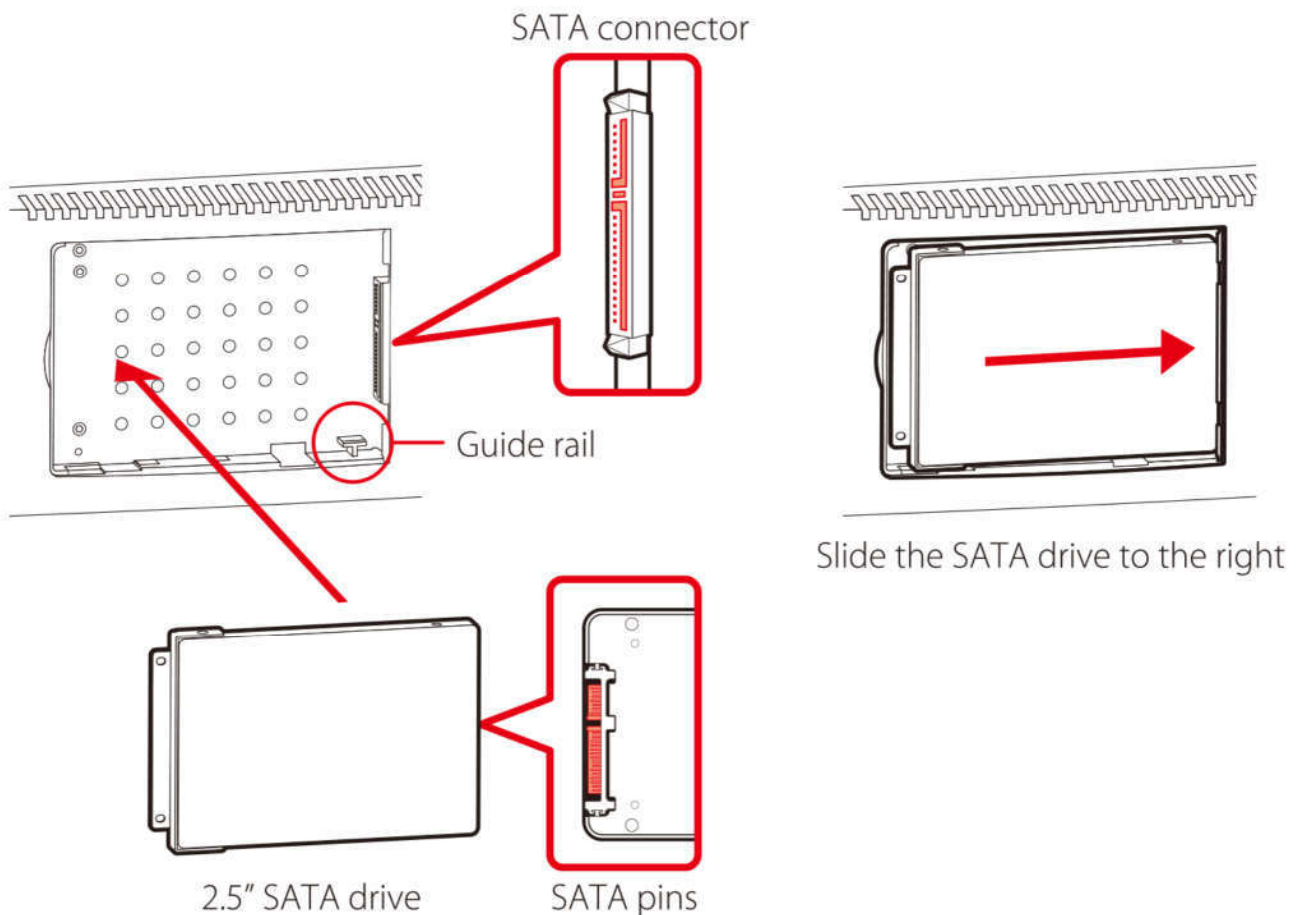


Installing additional storage (optional)

3. Using the provided 5mm screws, secure the SATA drive bracket to a 2.5" SATA drive, and tighten the screws on each side.

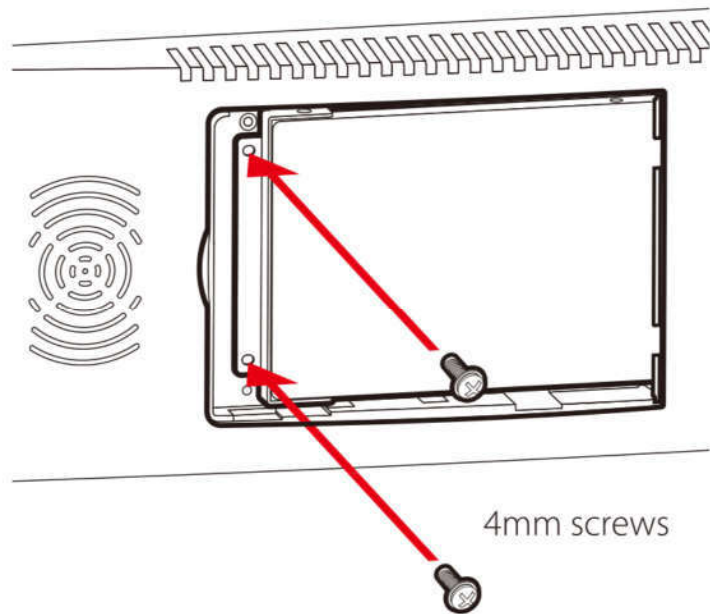


4. Align the SATA drive on the guide rail and slide the SATA pins into the AIO's SATA connector until it is secure.

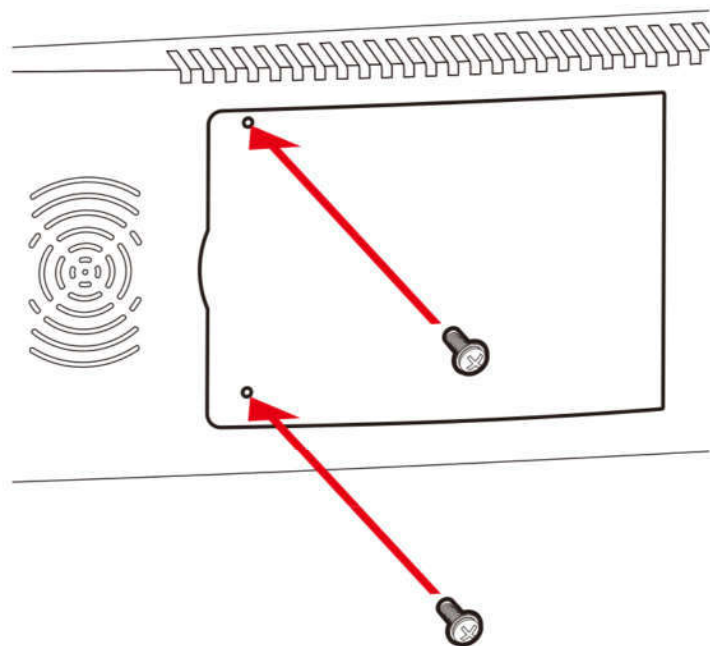


Installing additional storage (optional)

5. Use the provided 4mm screws to secure the SATA drive in place.

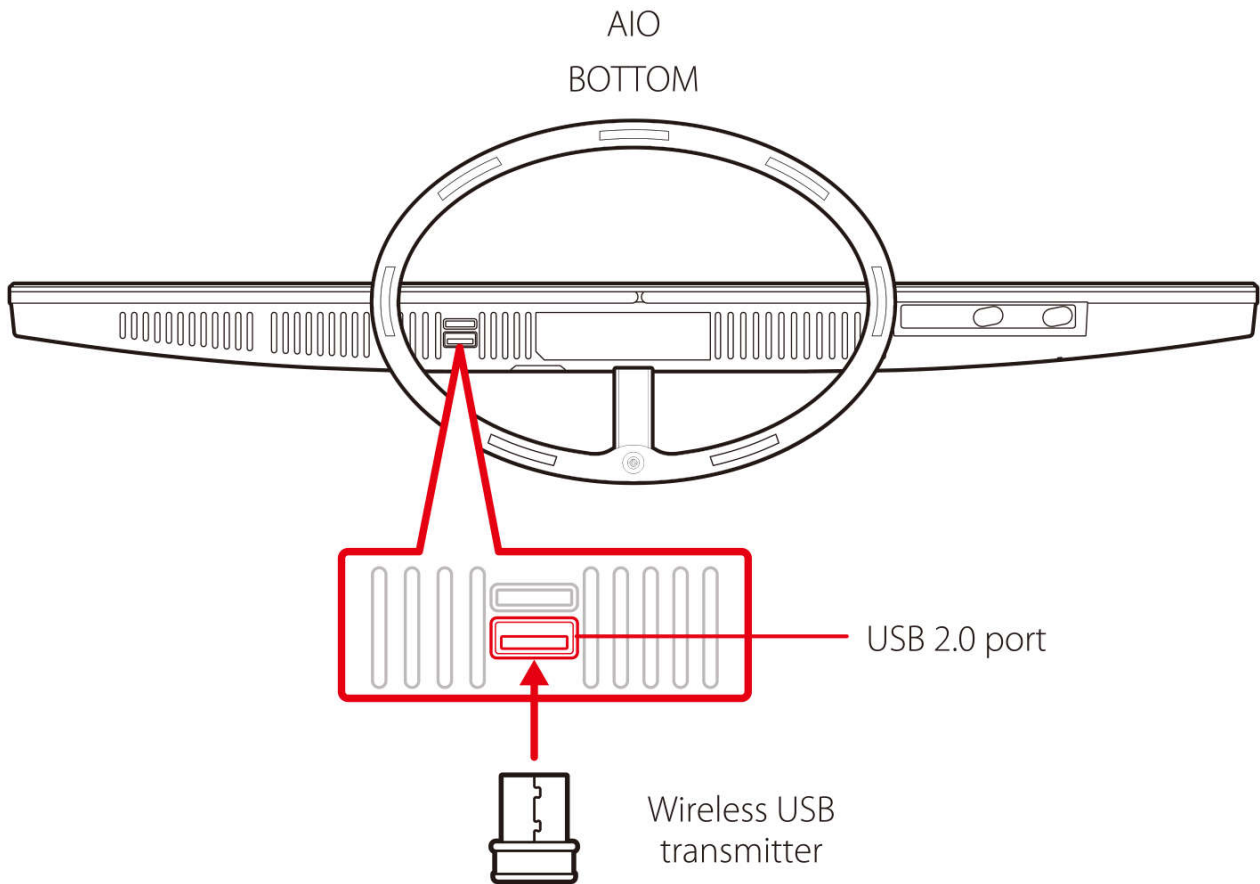


6. Put the panel back and tighten the screws.

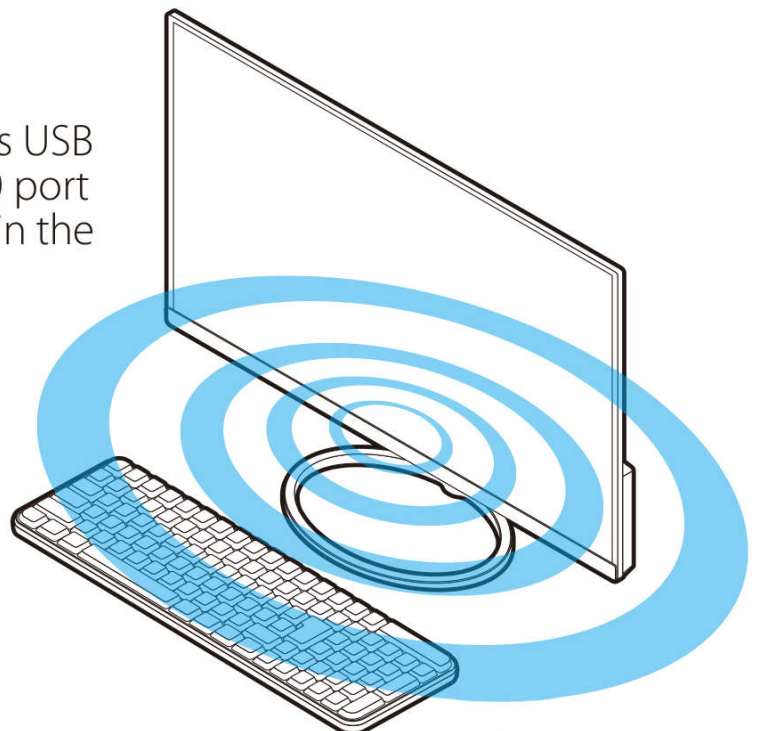


Setting up the wireless USB transmitter and keyboard

2. Insert the wireless transmitter into the USB 2.0 port located at the bottom of the AIO.



For best performance, install the wireless USB transmitter utilizing the bottom USB 2.0 port and place the mouse and keyboard within the recommended 30' range.



FCC Statement

This equipment has been tested and found to comply with the limits for a Class B digital device, pursuant to part 15 of the FCC Rules. These limits are designed to provide reasonable protection against harmful interference in a residential installation. This equipment generates, uses and can radiate radio frequency energy and, if not installed and used in accordance with the instructions, may cause harmful interference to radio communications. However, there is no guarantee that interference will not occur in a particular installation. If this equipment does cause harmful interference to radio or television reception, which can be determined by turning the equipment off and on, the user is encouraged to try to correct the interference by one or more of the following measures:

- Reorient or relocate the receiving antenna.
- Increase the separation between the equipment and receiver.
- Connect the equipment into an outlet on a circuit different from that to which the receiver is connected.
- Consult the dealer or an experienced radio/TV technician for help.

Caution: Any changes or modifications to this device not explicitly approved by manufacturer could void your authority to operate this equipment.

This device complies with part 15 of the FCC Rules. Operation is subject to the following two conditions: (1) This device may not cause harmful interference, and (2) this device must accept any interference received, including interference that may cause undesired operation.

For AOI:

This equipment complies with FCC radiation exposure limits set forth for an uncontrolled environment. This equipment should be installed and operated with minimum distance 20cm between the radiator and your body.

For Keyboard:

This equipment complies with FCC radiation exposure limits set forth for an uncontrolled environment. This equipment should be installed and operated with minimum distance 0mm between the radiator and your body.

ISED Statement

- English: This device complies with Industry Canada license - exempt RSS standard(s). Operation is subject to the following two conditions: (1) This device may not cause interference, and (2) This device must accept any interference, including interference that may cause undesired operation of the device

The digital apparatus complies with Canadian CAN ICES - 3 (B)/NMB - 3(B)..

- French: Le présent appareil est conforme aux CNR d'Industrie Canada applicables aux appareils radio exempts de licence. L'exploitation est autorisée aux deux conditions suivantes:

- (1) l'appareil ne doit pas produire de brouillage, et
 - (2) l'utilisateur de l'appareil doit accepter tout brouillage radioélectrique subi, même si le brouillage est susceptible d'en compromettre le fonctionnement.
- l'appareil numérique du ciem conforme canadien peut - 3 (b) / nmb - 3 (b).

This device meets the exemption from the routine evaluation limits in section 2.5 of RSS 102 and compliance with RSS 102 RF exposure, users can obtain Canadian information on RF exposure and compliance.

cet appareil est conforme à l'exemption des limites d'évaluation courante dans la section 2.5 du cnr - 102 et conformité avec rss 102 de l'exposition aux rf, les utilisateurs peuvent obtenir des données canadiennes sur l'exposition aux champs rf et la conformité.

For AOI:

This equipment should be installed and operated with minimum distance 20cm between the radiator & your body.

Cet équipement doit être installé et utilisé à une distance minimale de 20 cm entre le radiateur et votre corps.

For Keyboard:

This equipment complies with Canada radiation exposure limits set forth for an uncontrolled environment. This equipment should be installed and operated with minimum distance 0mm between the radiator & your body.

Cet équipement est conforme Canada limites d'exposition aux radiations dans un environnement non contrôlé. Cet équipement doit être installé et utilisé à distance minimum de 0mm entre le radiateur et votre corps.

packard bell