

Mini HiFi System with USB Encoding

TCD-880E



INSTRUCTION MANUAL



WARNING

TO PREVENT FIRE OR SHOCK HAZARD, DO NOT USE THIS PLUG WITH AN EXTENSION CORD, RECEPTACLE OR OTHER OUTLET UNLESS THE BLADES CAN BE FULLY INSERTED TO PREVENT BLADE EXPOSURE. TO PREVENT FIRE OR SHOCK HAZARD, DO NOT EXPOSE THIS APPLIANCE TO RAIN OR MOISTURE.



THE CAUTION MARKING AND RATING LABEL ARE LOCATED AT THE BOTTOM OF THE UNIT

IMPORTANT SAFETY INSTRUCTIONS

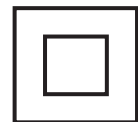
1. Read these instructions.
2. Keep these instructions.
3. Heed all warnings.
4. Follow all instructions.
5. Do not use this apparatus near water.
6. Clean only with dry cloth.
7. Do not block any ventilation openings. Install in accordance with the manufacturer's instructions.
8. Do not install near any heat sources such as radiators, heat registers, stoves, or other apparatus (including amplifiers) that product heat.
9. Do not defeat the safety purpose of the polarized or grounding-type plug. A polarized plug has two blades with one wider than the other. A grounding type plug has two blades and a third grounding prong. The wide blade or the third prong is provided for your safety. If the provided plug does not fit into your outlet, consult an electrician for replacement of the obsolete outlet.
10. Protect the power cord from being walked on or pinched particularly at plugs, convenience receptacles, and the point where they exit from the apparatus.
11. Only use attachments/accessories specified by the manufacturer.
12. Use only with a cart, stand, tripod, bracket, or table recommended by the manufacturer, or sold with the product. When a cart is used, use caution when moving the cart/apparatus combination to avoid injury from tip-over.
13. Unplug this apparatus during lightning storms or when unused for a long periods of time.
14. Refer all servicing to qualified service personnel. Servicing is required when the apparatus has been damaged in any way, such as power-supply cord or plug is damaged, liquid has been spilled or objects have fallen into the apparatus, the apparatus has been exposed to rain or moisture, does not operate normally, or has been dropped.
15. This appliance shall not be exposed to dripping or splashing water and that no object filled with liquids such as vases shall be placed on the apparatus.
16. Do not overload wall outlet. Use only power source as indicated.
17. Use replacement part as specified by the manufacturer.
18. Upon completion of any service or repairs to this product, ask the service technician to perform safety checks.
19. Power Sources - This product should be operated only from the type of power source indicated on the marking label. If you are not sure of the type of power supply to your home, consult your product dealer or local power company. For products intended to operate from battery power, or other sources, refer to the operating instruction.
20. Object and Liquid Entry - Never push objects of any kind into this product through openings as



they may touch dangerous voltage points or short-out parts that could result in a fire or electric shock. Never spill liquid of any kind on the product.

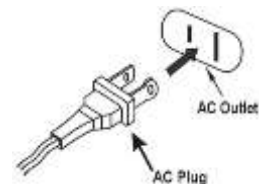
21. Damage Requiring Service - Unplug this product from the wall outlet and refer servicing to qualified service personnel under the following conditions:
 - a) When the power-supply cord or plug is damaged,
 - b) If liquid has been spilled, or objects have fallen into the product,
 - c) If the product has been exposed to rain or water,
 - d) If the product does not operate normally by following the operating instructions. Adjust only those controls that are covered by the operating instructions as an improper adjustment of other controls may result in damage and will often require extensive work by a qualified technician to restore the product to its normal operation.
 - e) If the product has been dropped or damaged in any way, and
 - f) When the product exhibits a distinct change in performance - this indicates a need for service.
22. Mains plug is used as disconnect device and it should remain readily operable during intended use. In order to disconnect the apparatus from the mains completely, the mains plug should be disconnected from the mains socket outlet completely.
23. Excessive sound pressure from earphones and headphone can cause hearing loss.
24. Minimum distances of 10 cm around the apparatus for sufficient ventilation
25. The ventilation should not be impeded by covering the ventilation openings with items, such as newspapers, table-cloths, curtains, etc.
26. No naked flame sources, such as lighted candles, should be placed on the apparatus.
27. The use of apparatus in moderate climates.

This symbol indicates that this product incorporates double insulation between hazardous mains voltage and user accessible parts.



CAUTION

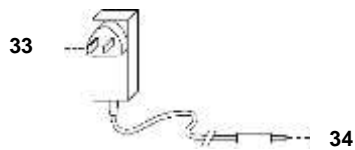
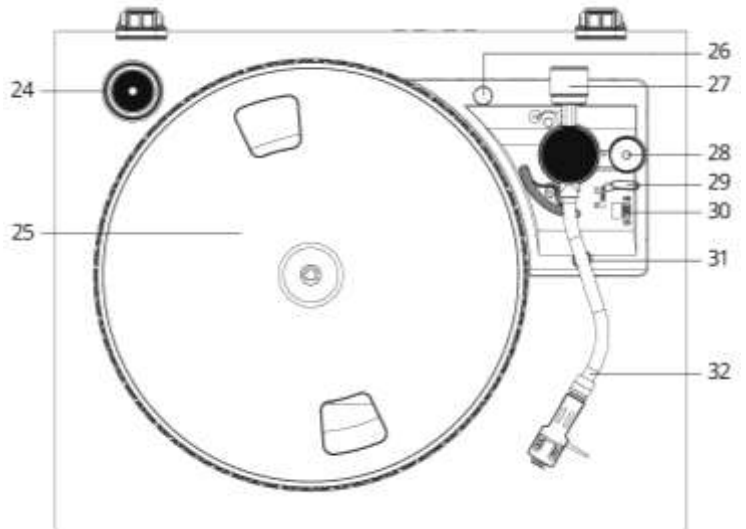
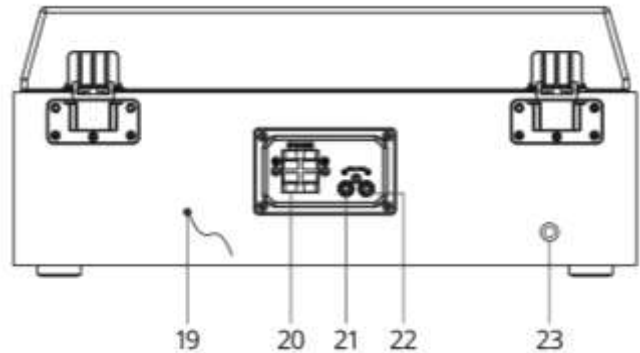
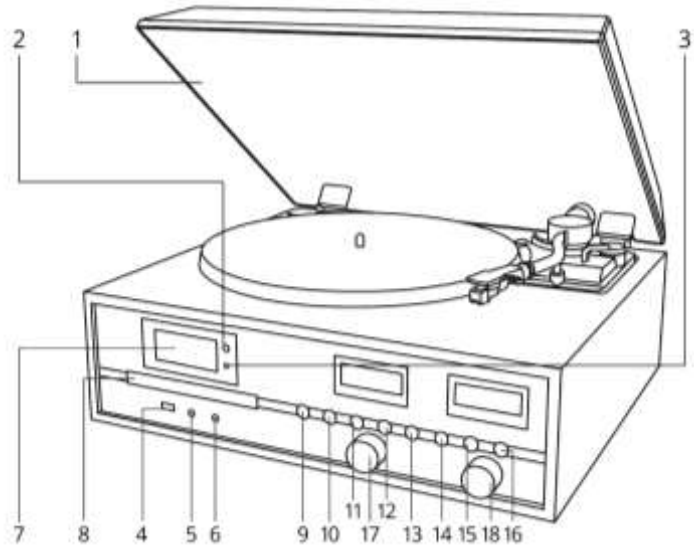
TO PREVENT ELECTRIC SHOCK, MATCH WIDE BLADE OF PLUG TO WIDE SLOT. FULLY INSERT THE PLUG TO MAIN POWER SOCKET.



SAVE THESE INSTRUCTIONS

LOCATION OF CONTROLS

- 1) DUST COVER
- 2) REMOTE SENSOR
- 3) BLUETOOTH RECEIVER (BT IN) & BLUETOOTH TRANSMIT (BT OUT) LED INDICATOR
- 4) USB SOCKET
- 5) 3.5MM HEADPHONE JACK
- 6) 3.5MM AUX IN JACK
- 7) LCD DISPLAY
- 8) CD TRAY
- 9) CD TRAY OPEN/CLOSE BUTTON
- 10) STANDBY/FUNCTION BUTTON
- 11) PLAY/PAUSE ►|| ►► button
- 12) STOP ■ button
- 13) FOLDER DOWN button
- 14) FOLDER UP button
- 15) PLAYMODE button
- 16) ● RECORD button
- 17) SKIP UP ►►►/DOWN ◀◀◀ KNOB / FM SCAN button
- 18) VOLUME UP/DOWN KNOB / BLUETOOTH TRANSMIT (BT OUT) button
- 19) FM ANTENNA
- 20) SPEAKER SCOKET (L/R)
- 21) LINE OUT SOCKET (L)
- 22) LINE OUT SOCKET (R)
- 23) DC JACK
- 24) SPINDLE ADAPTOR
- 25) PLATTER
- 26) ALIGNMENT SCREW WITH RUBBER COVER
- 27) COUNTER WEIGHT
- 28) PITCH ADJUSTMENT
- 29) CUEING LEVER
- 30) TURNTABLE SPEED SELECTOR
- 31) TONE-ARM LOCK
- 32) TONE ARM
- 33) AC/DC ADAPTOR
- 34) DC PLUG



CAUTION:

USAGE OF CONTROLS OR ADJUSTMENTS OR PERFORMANCE OF PROCEDURES OTHER THAN THOSE SPECIFIED HEREIN MAY RESULT IN HAZARDOUS RADIATION EXPOSURE. THIS UNIT SHOULD NOT BE ADJUSTED OR REPAIRED BY ANYONE EXCEPT QUALIFIED SERVICE PERSONNEL.

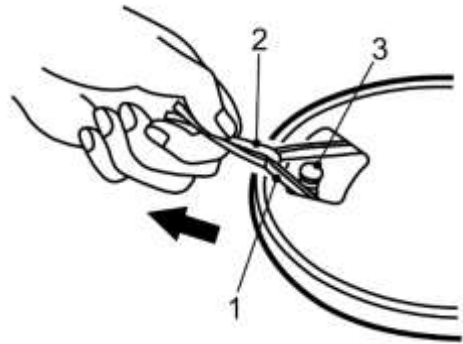
PRECAUTIONS FOR USE

INSTALLATION

- UNPACK ALL PARTS AND REMOVE PROTECTIVE MATERIAL.
- DO NOT CONNECT THE UNIT TO THE MAINS BEFORE CHECKING THE MAINS VOLTAGE AND BEFORE ALL OTHER CONNECTIONS HAVE BEEN MADE.
- DO NOT COVER ANY VENTS AND MAKE SURE THAT THERE IS A SPACE OF SEVERAL CENTIMETERS AROUND THE UNIT FOR VENTILATION.

Installation of the Metal Platter to the unit

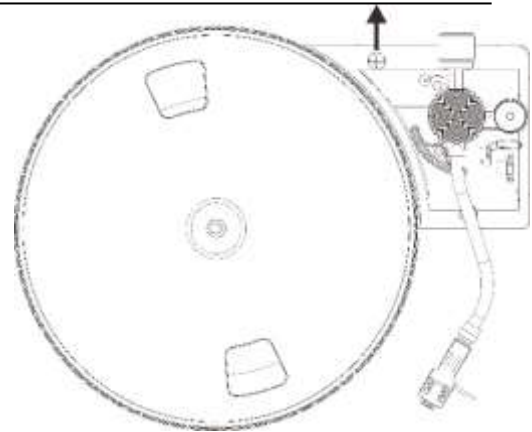
- 1. Turntable belt (pre-installed to the metal platter)
- 2. Ribbon (pre-installed to the turntable belt)
- 3. Pulley of the turntable
- Steps:
- A) To take the metal platter, which has pre-installed with the turntable belt and ribbon, out from the box.
- B) To follow the diagram to pull out the ribbon/turntable belt and fasten it to the pulley of the turntable unit.
- C) To remove the ribbon from the turntable belt before use. Keep it for use in the future.



RELEASE THE TURNTABLE

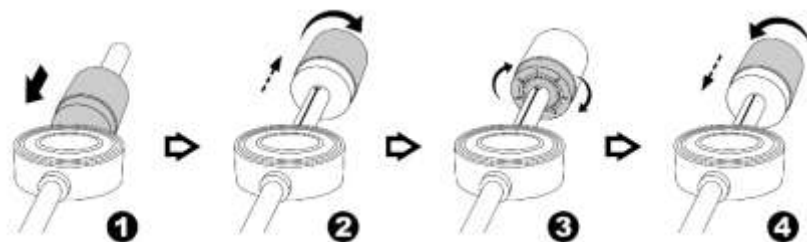
Raise the lid to expose the turntable. The turntable has been secured for shipment with a transit screw. Use a coin or screwdriver to turn the transit screw **clockwise**. This will allow the turntable to float and operate normally.

TRANSIT SCREW



INSTALLATION OF COUNTER WEIGHT

1. SLIDE IN THE COUNTER WEIGHT COMPLETELY INTO THE REAR OF THE TONE ARM UNTIL IT REACH THE END. TURN IT CLOCKWISE UNTIL IT CLICK WITH PIT INSIDE.
2. TWIST THE COUNTER WEIGHT CLOCKWISE & BACKWARD UNTIL IT REACH THE WHITE LINE AS FIGURE 2
3. TWIST THE COUNTER MARKING UNTIL IT REACH " 1 " POSITION
4. TWIST THE COUNTER WEIGHT ANTI-CLOCKWISE & INWARD UNTIL IT REACH THE APPROPRIATE WORKING PRESSURE.



REMARK : THE WORKING PRESSURE OF THE PROVIDED STYLUS IS FROM THE RANGE **4 – 6 GRAMS** ACCORDING TO THE CARTRIDGE MANUFACTURER. ALL STYLUS HAS IT OWN WORKING PRESSUE AND PLEASE REFER TO THE SPECIFICATION RESPECTIVELY.

CONNECTION

1. CAREFULLY REMOVE THE UNIT FROM THE CARTON AND REMOVE ALL PACKING MATERIAL FROM THE UNIT.
2. TAKE OUT THE AC/DC ADAPTOR (33) AND UNWIND THE CABLE AND EXTEND IT TO ITS FULL LENGTH.
3. CONNECT THE SPEAKER CABLES TO THE SPEAKER TERMINALS (34)
4. INSERT THE DC PLUG (34) TO THE DC JACK (23) OF THE MAIN UNIT, THEN CONNECT THE AC/DC ADAPTOR (33) TO AC OUTLET
5. PRESS THE POWER BUTTON AND THE LCD DISPLAY (7) WILL LIGHT UP. IT MEANS THE POWER SUPPLY IS NORMAL. NOW YOUR SYSTEM IS READY TO PLAY THE MUSIC.

SETTING THE CLOCK (BY REMOTE CONTROL)

1. SET UNIT IN STANDBY MODE.
 2. PRESS THE "MEM/CLK-ADJ" BUTTON ON THE REMOTE CONTROL, THE LCD DISPLAY WILL SHOW " SET CLOCK " AND THEN DISPLAY " 12HR OR 24 HR " PRESS SKIP|◀◀ OR SKIP▶▶| BUTTON TO SELECT THE APPROPRIATE AREA HOUR FORMAT(12HR/24HR). PRESS "MEM/CLK-ADJ" BUTTON AGAIN TO CONFIRM.
 3. THE LCD WILL DISPLAY THE FIRST & SECOND DIGIT OF "00" IS FLASHING. PRESS SKIP|◀◀ OR SKIP▶▶| BUTTON TO SET THE CORRECT HOUR. PRESS "MEM/CLK-ADJ" BUTTON TO STORE THE CORRECT HOUR.
 4. THE THIRD & FOURTH DIGIT OF "00" IS FLASHING, PRESS THE SKIP|◀◀ OR SKIP▶▶| BUTTON) TO SET THE CORRECT MINUTES. THEN PRESS "MEM/CLK-ADJ" TO STORE THE CORRECT MINUTE.
- **THE PRE-SET TIME WILL BE RE-SET COMPLETELY IF DIS-CONNECTING THE MAIN POWER SUPPLY. YOU ARE RECOMMENDED TO SWITCH THE SYSTEM INTO STANDBY MODE FOR CONVENIENCE USAGE.**

LISTENING TO RADIO

MANUAL TUNING

1. PRESS FUNCTION BUTTON TO SELECT " TUNER " MODE.
2. TUNE TO THE REQUIRED STATION BY TURNING THE " SKIP / SKIP UP ▶▶| OR DOWN |◀◀ KNOB.
3. ADJUST VOLUME CONTROL TO THE DESIRED VOLUME LEVEL.

AUTO TUNING


1. PRESS FUNCTION BUTTON TO SELECT " TUNER " MODE
2. PRESS THE FM SCAN KNOB AND THE UNIT WILL START SEEKING AUTOMATICALLY AND STORE ALL THE AVAILABLE STATIONS.
3. PRESS THE " FOLDER / PRE-UP ▲ OR DOWN ▼ " BUTTON AT REMOTE HANDSET TO SELECT FROM THE STORED FM STATIONS.
4. IF THE RADIO DATA SYSTEM (RDS) BROADCASTING SIGNAL RECEIVED, THE UNIT WILL SET THE ACTUAL TIME AUTOMATICALLY.
5. ADJUST VOLUME UP/DOWN CONTROLS TO THE DESIRED VOLUME LEVEL.

PRESET STATIONS (BY REMOTE CONTROL)

YOU CAN STORE UP TO TOTAL OF 30 RADIO STATIONS IN THE MEMORY.

1. SET TO " TUNER " MODE
 2. TURN TO THE DESIRED RADIO STATION BY " MANUAL " OR "AUTO" TUNING METHOD.
 3. PRESS " MEM / CLK-ADJ " BUTTON ON THE REMOTE CONTROL TO ENABLE PROGRAM STATE.
 4. PRESS " FOLDER / PRE-UP OR FOLDER / PRE-DOWN ▼ " BUTTON (ON REMOTE HANDSET) TO SELECT THE DESIRED STATION MEMORY POSITION FOR STORAGE.
 5. PRESS "MEM / CLK-ADJ " BUTTON AGAIN TO CONFIRM THE SETTING.
 6. REPEAT STEP 2 TO 5 TO STORE OTHER STATIONS.
 7. PRESS " FOLDER / PRE-UP ▲ OR DOWN ▼ " BUTTON AT REMOTE HANDSET TO SELECT THE PRESET STATIONS IN ORDER.
 8. TO RETURN NORMAL TUNER MODE, LEAVE KEYS FREE.
- **THE PRE-SET MEMORIES WILL BE CANCELLED COMPLETELY IF SWITCHING OFF THE MAIN POWER BUTTON ON SYSTEM. YOU ARE RECOMMENDED TO SWITCH THE SYSTEM INTO STANDBY MODE FOR CONVENIENCE USAGE.**
- YOU CAN OVERWRITE A PRESET STATION BY STORING ANOTHER FREQUENCY IN ITS PLACE.

FM & FM-STEREO RECEPTION (BY REMOTE CONTROL)

- PRESS THE " FM-ST/MONO " BUTTON ON THE REMOTE CONTROL REPEATEDLY, THE FM PROGRAMS ARE RECEIVING IN MONO AND STEREO MODE REPEATEDLY. IN PARTICULAR WHEN STEREO SIGNALS ARE WEAK. IT IS PREFERABLE TO RECEIVE THE PROGRAM IN MONO.
- IF STEREO SIGNAL IS BEING RECEIVED, THE "ST" INDICATOR "  " WILL APPEAR ON LCD DISPLAY TO SHOW FM STEREO PROGRAM IS NOW RECEIVING.

HINTS FOR BEST RECEPTION:-

- THE RECEIVER HAS A BUILD-IN FM WIRE ANTENNA HANGING AT THE REAR CABINET. THIS WIRE SHOULD BE TOTALLY UNRAVELED AND EXTENDED FOR THE BEST RECEPTION.

PLAYING COMPACT DISC

● GETTING START

1. PRESS FUNCTION BUTTON TO SELECT " CD " MODE.
2. PRESS "CD TRAY OPEN/CLOSE" BUTTON TO OPEN THE CD TRAY.
3. PLACE A CD WITH THE PRINTED SIDE FACING UP INSIDE THE TRAY & THEN CLOSE IT BY CD TRAY OPEN/CLOSE BUTTON.
4. FOCUS SEARCH IS PERFORMING, CD WILL BE PLAYBACK AUTOMATICALLY AND LCD DISPLAY WILL SHOW THE TRACK NO. AND PLAYBACK TIME.

● PLAY / PAUSE MODE ►||

1. CD WILL BE PLAYBACK AUTOMATICALLY AFTER FOCUS SEARCH.
2. TO INTERRUPT, PRESS THE "►||" BUTTON ONCE, AND THE PLAYING TIME WILL BE FREEZE & FLASHING ON THE LCD DISPLAY. PRESS AGAIN TO RESUME NORMAL PLAYBACK.

● STOP MODE ■

1. IF " STOP ■ " BUTTON IS PRESSED DURING PLAY OR PAUSE MODE, SYSTEM WILL GO TO STOP MODE.

● SKIP MODE (SKIP UP ►► / SKIP DOWN ◀◀)

1. DURING PLAY OR PAUSE MODE, IF TURNING THE "SKIP UP►►" KNOB, IT WILL GO TO NEXT TRACK AND DISPLAY THE TRACK NO. AND THEN REMAIN THE PLAY OR PAUSE MODE.
2. DURING PLAY OR PAUSE MODE, IF TURNING THE "SKIP DOWN◀◀" KNOB, IT WILL GO BACK TO THE PREVIOUS TRACK, TRACK NO. IS DISPLAY AND REMAIN THE PLAY OR PAUSE MODE.

● FOR MP3 DISC

1. AFTER FOCUS SEARCH IS PERFORMING, THE DISC WILL BE PLAYBACK AUTOMATICALLY AND LCD DISPLAY WILL SHOW THE TRACK NO. AND PLAYBACK TIME.
2. PRESS " FOLDER -UP " OR " FOLDER -DOWN " TO SELECT THE ALBUM NUMBER.
3. PRESS " SKIP UP►► " OR " SKIP DOWN ◀◀ " KNOB TO SELECT THE TRACK NUMBER.
4. WHEN THE DESIRED TRACK AND ALBUM IS BEING SELECTED, UNIT WILL THE START PLAYBACK AUTOMATICALLY.

ID3 (TRACK/ALBUM TITLE) FUNCTION (BY REMOTE HANDSET)

PRESS THE " INFO " BUTTON UNTIL THE LCD DISPLAY SHOW " FILE - ... " DURING PLAYBACK OF MP3 FILE, THE FILE NAME / SONG TITLE / ARTIST NAME / ALBUM NAME IS BEING DISPLAYED IN SEQUENCE . PRESS THE " INFO " BUTTON AGAIN TO DISABLE THE FUNCTION.

REMARK:-

- IN CASE OF NO NAME HAD BEEN ASSIGNED FOR THE TRACK, " NONE " IS BEING DISPLAYED" ON LCD DISPLAY.
- NO TITLE/ALBUM NAME CAN BE RECOGNIZED IF THE INPUT FORMAT ON THE DISC/MASS MEDIA IS NOT SUPPORTING BY THE SYSTEM.
- THE SYSTEM SUPPORT ONLY ENGLISH AND NUMERAL FOR ID3 FUNCTION

REMARK:-

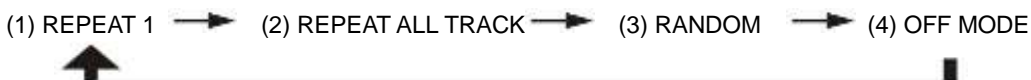
MP3 TRACK FORMAT REQUIREMENT:-

- MP3 BIT RATE : 32 Kbps~256 Kbps.
- THE PERFORMANCE OF PLAYING MP3 DISC IS VARIOUS FROM THE QUALITY OF RECORDING DISC AND THE METHOD OF RECORDING. FURTHERMORE, THE SEARCHING LEAD-TIME FOR MP3-CD IS LONGER THAN NORMAL CD DUE TO DIFFERENCE FORMAT.

● PLAY MODE

PRESS THE PLAY MODE BUTTON DURING PLAYBACK TO SELECT REPEAT AND RANDOM FUNCTION, A SINGLE TRACK, SINGLE FOLDER (MP3 ONLY) OR ALL THE TRACKS CAN BE PLAYED IN DIFFERENCE MODE AS FOLLOW:-

FOR CD



PLAY MODE	INDICATOR ON LCD DISPLAY
REPEAT TRACK	◻
REPEAT ALL	◻ ALL
RANDOM	RAN
OFF MODE	-----

FOR MP3 DISC/FILE



PLAY MODE	INDICATOR ON LCD DISPLAY
REPEAT SINGLE TRACK	
REPEAT SINGLE FOLDER	FOLDER
REPEAT ALL TRACKS	ALL
RANDOM MODE	RAN
OFF MODE	-----

● **REPEAT PLAY**

YOU CAN LISTEN THE DESIRED TRACKS OR FOLDER REPEATEDLY BY THIS FUNCTION.

● **RANDOM PLAY**

YOU CAN LISTEN ALL THE TRACKS IN A RANDOM ORDER BY THIS FUNCTION

CD / MP3 DISC PROGRAMMING (BY REMOTE CONTROL)

UP TO 40 TRACKS CAN BE PROGRAMMED FOR DISC PLAY IN ANY ORDER. BEFORE USE, BE SURE TO PRESS THE " STOP ■ " BUTTON

1. SET IN CD MODE & STOP THE PLAYBACK.
 2. PRESS THE "MEM/CLK-ADJ" BUTTON ON THE REMOTE CONTROL, " MEM " WILL APPEAR ON LCD DISPLAY. MOREOVER, IT WILL INDICATE PROGRAM NO. AND DIGITS FOR TRACK NO. TO BE PROGRAMMED – " 01 PR 01 ".
 3. SELECT A DESIRED TRACK BY PRESSING SKIP UP OR DOWN BUTTONS.
 4. PRESS THE " MEM/CLK-ADJ " BUTTON TO STORE THE TRACK INTO MEMORY.
 5. REPEAT STEPS 3 AND 4 TO ENTER ADDITIONAL TRACKS INTO THE MEMORY IF NECESSARY.
 6. WHEN ALL THE DESIRED TRACKS HAVE BEEN PROGRAMMED, PRESS " " BUTTON TO PLAY THE DISC IN ASSIGNED ORDER.
 6. PRESS " STOP ■ " BUTTON TO TERMINATE PROGRAM PLAY.
- PRESS " STOP ■ " BUTTON AT CD STOP MODE TO CANCEL ALL PROGRAMMED MEMORY.
 - FOR MP3 DISC / FILE, PRESS THE " FOLDER / PRE-UP " BUTTON TO SELECT THE 1ST TRACK OF NEXT FOLDER DIRECTLY AND HENCE TO SPEED UP THE SONG SELECTION.
 - THE PROGRAMMING MODEL WILL AUTOMATICALLY STOP IF NO BUTTON IS BEING PRESSED IN A PERIOD OF ABOUT 10 SECONDS AFTER PRESSING THE " MEM/CLK-ADJ " BUTTON.

PLAYBACK OF MP3 SONG VIA USB SOCKET

CONNECTING

THE SYSTEM IS ABLE TO DECODE AND PLAYBACK ALL MP3 FILE WHICH STORED IN THE MEMORY MEDIA WITH USB PEN DRIVE.

1. SET THE SYSTEM AT STANDBY MODE FIRST OR OTHER FUNCTION EXCEPT SD MODE.
2. INSERT THE USB PEN DRIVE TO THE USB SOCKET.
- **CONNECTING THE USB PEN DRIVE UPSIDE DOWN OR BACKWARDS COULD DAMAGE THE AUDIO SYSTEM OR THE. CHECK TO BE SURE THE DIRECTION IS CORRECT BEFORE CONNECTION.**
3. PRESS FUNCTIONS BUTTON TO SELECT " USB MODE.
4. THE SYSTEM WILL START READING THE STORAGE MEDIA AUTOMATICALLY AFTER CONNECTING, AND LCD DISPLAY WILL SHOW THE TOTAL NUMBER OF MP3 FILES BEING DETECTED.
5. REPEAT THE SAME PLAYBACK PROCEDURE AS PLAYING CD/MP3 DISC AS ABOVE.

REMARK

- THE SYSTEM CAN DETECT AND READ THE FILE UNDER MP3 FORMAT ONLY THROUGH USB SOCKET.
- **IF CONNECT THE SYSTEM TO MP3 PLAYER VIA THE USB SOCKET, DUE TO VARIANCES IN MP3 ENCODING FORMAT, SOME MP3 PLAYER MAY NOT BE ABLE TO PLAY VIA THE USB SOCKET. THIS IS NOT A MAUFUNCTION OF THE SYSTEM.**
- **USB PORT DOES NOT SUPPORT CONNECTION WITH USB EXTENSION CABLE AND IS NOT DESIGNED FOR COMMUNICATION WITH COMPUTER DIRECTLY**

ENCODING OF CD/PHONO INTO MP3 FILE TO USB MEMORY

THE SYSTEM IS ABLE TO ENCODE NORMAL CD OR TURNTABLE TO MP3 FORMAT AND RECORDING AT MEMORY MEDIA WITH USB CONNECTING PORT. BEFORE STARTING THE ENCODING, PLEASE INSERT THE USB PEN DRIVE TO THE SYSTEM & MAKE SURE IT HAD ADEQUATE FREE MEMORY SIZE FOR RECRODING:-

A) CD ENCODING

I) ECNODING 1 TRACK / 1 DISC

1. PERFORM NORMAL PLAYBACK OF THE CD TRACK YOU WANT TO ENCODE & RECORD.
2. PRESS " ● REC " BUTTON DURING THE PLAYBACK OF THE DESIRE TRACK.
3. THE SYSTEM WILL SHOW "REC ONE". PRESS THE " ● REC " BUTTON AGAIN AND " ↔ " & " REC " ARE FLASHING. ENCODING IS PERFORMING NOW.
4. AFTER COMPLETING OF RECRODING, UNIT WILL STOP PLAYBACK AUTOMATICALLY.

II) ECNODING 1 DISC

1. INSERT A CD AND PRESS STOP AFTER THE FOCUS SEARCH HAS BEEN PERFORMED.
2. PRESS " ● REC " BUTTON DURING THE STOP MODE.
3. THE SYSTEM WILL SHOW "REC ALL". PRESS THE " ● REC " BUTTON AGAIN AND " ↔ " & " REC " ARE FLASHING. ENCODING IS PERFORMING NOW.
4. THE SYSTEM WILL RECORD ALL THE TRACKS OF THE DISC
5. AFTER RECRODING HAS BEEN COMPLETED, UNIT WILL STOP PLAYBACK AUTOMATICALLY.

REMARK:-

- THE RECORDING SPEED IS 1:1 AND ACCORDING TO THE ACTUAL PLYING TIME OF THE CD TRACK
- THE SYSTEM WILL CREAT A "RIP " FOLDER AND THEN STORE THE ENCODING TRACK IN IT.
- THE RECORDING FORMAT IS PRESET AT – MP3 BIT RATE : 128 KBPS, SAMPLING RATE : 44.1KHZ
- NO SONG TITLE WILL BE RECORDED DURING ENCODING MODE
- TO INTERRUPT THE RECRODING, PRESS THE " STOP ■ " BUTTON DURING RECORDING MODE.
- **RECORDING WILL BE COMPLETED ONLY ENTIRE SONG BEING ENCODED, IF TERMINATE THE ENCODING PROCESS INTERMEDIATELY, THERE IS NO TRACK BEING RECORDED NOR STORED TO THE USB PEN DRIVE**

III) COPYING OF MP3 FILE

IF PUTTING A MP3 DISC INSTEAD OF A CD-DISC, THE SYSTEM WILL COPY THE FILES TO THE USB PEN DRIVE. THE " ● REC " BUTTON. THE OPERATION PROCEDURES IS SAME AS CD ENCODING AS STIPULATE ON ABOVE, AND THE SYSTEM WILL SWITCH TO COPYING MODE ONLY IF MP3 FILE BEING READ.

REMARK:

- THE SYSTEM WILL CREAT A "FROMCD " FOLDER AND THEN STORE ALL COPY FILE IN IT.

B) PHONO / AUX / BLUETOOTH ENCODING

- 1) SELECT THE CORRECT MODE EG. " PHON/AUX " OR "BT" MODE THAT YOU WANT TO RECORD FROM.
- 2) PLACE THE RECORD ON THE TURNTABLE OR CONNECT THE AUDIO DEVICE VIA AUX-IN JACK OR CONNECT THE BLUETOOTH DEVICE ACCORDING TO THE INSTRUCTION
- 3) PRESS THE " ● REC " BUTTON DIRECTLY.
- 4) THE LCD DISPLAY WILL SHOW "CHECK". THEN THE DISPLAY WILL CHANGE TO " ↔ " & " REC " AFTER FEW SECONDS AND FLASHING. NOW THE SYSTEM IS STARTING THE ENCODING MODE.
- 5) START PLAYBACK AT PHONO FOR THE TRACK WHICH YOU WANT TO RECORD TO USB POSITION.
- 6) AFTER FINISH OF RECRODING, PRESS THE " STOP ■ " BUTTON UNTIL THE TEXT ON LCD DISPLAY STOP FLASHING AND RETURN TO " PHON/AUX " MODE.

C) RADIO ENCODING

- 1) SELECT " TUNER " MODE AND THEN SELECT THE DESIRE RADIO STATION
- 2) PRESS THE " ● REC " BUTTON TO START THE ENCODING.
- 3) THE LCD DISPLAY WILL SHOW "CHECK". THEN THE DISPLAY WILL CHANGE TO " ↔ " & " REC " AFTER FEW SECONDS AND FLASHING. NOW THE SYSTEM IS STARTING THE RECORDING.
- 4) AFTER FINISH OF RECRODING, PRESS THE " STOP ■ " BUTTON UNTIL THE TEXT ON LCD DISPLAY STOP FLASHING AND RETURN TO " TUNER " MODE.

REMARK:-

- THE SYSTEM WILL CREAT A "REC " FOLDER AND THEN STORE THE ENCODING TRACK IN IT.
- IF THE RADIO RECEPTION SIGNAL IS NOT STRONG ENOUGH, THE SYSTEM CANNOT START THE ENCODING PROCESS AND THE TEXT " NO GOOD " WILL SHOW ON THE LCD DISPLAY.
- THE RECRODING QUALITY AND PERFORMANCE FOR RADIO ENCODING IS NOT STABLE DUE TO INTERFERENCE OF RADIO RECEPTION. THIS IS NOT A MAUFUNCTION OF THE SYSTEM.

TRACK SEPARATION (BY REMOTE HANDSET)

YOU CAN DIVIDE THE RECORDING MUSIC FROM PHONO, AUX, BT OR RADIO TO USB TRACK BY TRACK DURING ENCODING. EVERY TIME WHEN PRESS THE " **TS** " (TRACK SEPARATION) BUTTON ONCE AT REMOTE HANDSET DURING ENCODING FROM PHONO, AUX, BT OR RADIO, THE SYSTEM WILL GENERATE A NEW TRACK AND CONTINUOUS THE RECORDING. THE TEXT " TS " AT LCD DISPLAY WILL APPEAR, AND THEN RETURN BACK TO THE FUNCTION MODE (EG. PHONO/AUX, BT), IT MEANS THE UNIT HAS CREATED A NEW TRACK SUCCESSFULLY.

ENCODING BITRATE (BY REMOTE HANDSET)

YOU CAN SELECT THE DESIRED BITRATE DURING ENCODING FROM CD/PHONO/AUX/RADIO TO USB, THE SELECTABLE RANGE FROM 32 / 64 / 96 /128 / 192 /256 KBPS.

1. SET IN " PHONO/AUX " FUNCTION & REMAIN STOP MODE.
2. PRESS THE " INFO " FUNCTION AND THE LCD DISPLAY WILL SHOW THE DEFAULT BITRATE (128 KBPS)
3. PRESS SKIP **▶▶** OR **◀◀** BUTTONS TO SELECT THE DESIRED BITRATE FOR ENCODING.
4. PRESS AGAIN THE " INFO " BUTTON TO CONFIRM THE SETTING AND THE LCD DISPLAY RESUME TO " PHONO/AUX " MODE

FILE DELETE AT USB PEN DRIVE (BY REMOTE CONTROL)

THE SYSTEM IS ABLE TO ERASE THE FILE STORED INSIDE THE USB PEN DRIVE BY FOLLOWING:-

A) SINGLE FILE DELETE (BY REMOTE HANDSET)

- 1 · PRESET AT " USB " STOP MODE.
- 2 · PRESS THE " DELETE " BUTTON AND THE LCD DISPLAY WILL SHOW (DEL ---001)
- 3 · PRESS SKIP FORWARD **▶▶** OR SKIP BACKWARD **◀◀** BUTTON TO SELECT THE FILE GOING TO DELETE.
- 4 · PRESS THE " DELETE " BUTTON TO ENTER " YES / NO " MODE AND THEN PRESS SKIP FORWARD **▶▶** OR SKIP BACKWARD **◀◀** TO SELECT " YES " OR " NO " .
- 5 · PRESS THE " DELETE " BUTTON AGAIN TO CONFIRM THE SETTING.

REMARK :

- PRESS " STOP " BUTTON ONCE AT REMOTE HANDSET TO QUIT DELETE MODE

REMOVING OF USB

TO REMOVE THE USB PEN DRIVE, TURN OFF THE POWER OR SWITCH THE FUNCTION MODE TO EITHER CD, PHONO OR TUNER FIRST. THEN UN-PLUG IT BY PULLING OUT THE USB SOCKET DIRECTLY,

BLUETOOTH RECEIVER CONNECTION

PAIRING A BLUETOOTH-ENABLED DEVICE WITH THE SYSTEM

1. PRESS THE FUNCTION BUTTON TO SELECT THE BLUETOOTH FUNCTION.
2. THE TEXT "BT" ON THE DISPLAY AND THE BT LED INDICATOR WILL FLASH (TWICE PER SECOND) MEANING THE UNIT IS SEARCHING AND WAITING TO CONNECT TO BLUETOOTH.
3. SWITCH THE BLUETOOTH FUNCTION OF YOUR BLUETOOTH DEVICE ON (SUCH AS A MOBILE PHONE) AND SELECT THE BLUETOOTH EQUIPMENT CODE "OPERA" TO CONNECT.
4. WHEN THE BLUETOOTH DEVICE HAS CONNECTED SUCCESSFULLY, THE BT LED INDICATOR WILL LIGHT UP STATIC.
5. START PLAYBACK OF THE MUSIC ON YOUR BLUETOOTH DEVICE AND ENJOY THE MUSIC THROUGH THE SPEAKERS OF THIS UNIT.
6. ADJUST THE VOLUME KNOB TO THE DESIRED VOLUME LEVEL.
7. IF YOU WANT TO CONNECT THE UNIT TO ANOTHER BLUETOOTH ENABLED DEVICE AFTER YOU'VE ALREADY SUCCESSFULLY PAIRED, PRESS AND HOLD THE PLAY/PAUSE BUTTON FOR 2-3 SECONDS. OR TURN OFF THE BLUETOOTH ON THE DEVICE THAT WAS PREVIOUSLY PAIRED WITH THE UNIT. THE TEXT "BLUETOOTH" ON THE DISPLAY WILL BEGIN FLASHING, REPEAT STEP 2-6 ABOVE.

NOTES:


1. REFER TO THE MANUAL OF YOUR CELL PHONE, TABLET PC, COMPUTER OR OTHER BLUETOOTH ENABLED DEVICES FOR BLUETOOTH OPERATION SINCE IT MAY VARY FROM MODEL TO MODEL.
2. IF YOUR BLUETOOTH ENABLED DEVICE DOES NOT SUPPORT A2DP PROFILE, IT WILL NOT PLAY THE MUSIC THROUGH THE SPEAKER, EVEN IF PAIRED (LINKED).
3. REMEMBER TO TURN OFF THE UNIT WHEN YOU HAVE FINISHED LISTENING,
4. DON'T FORGET TO SWITCH OFF THE POWER OF YOUR BLUETOOTH DEVICE AS WELL.
5. THE MUSIC PLAYBACK WILL AUTOMATICALLY BE PAUSED WHEN YOU HAVE AN INCOMING CALL. WHEN THE CALL IS ENDED, THE UNIT WILL START PLAYING AGAIN.

BLUETOOTH TRANSMIT CONNECTION

PAIRING THE RECORD PLAYER WITH AN EXTERNAL BLUETOOTH SPEAKER SYSTEM

ALTHOUGH THIS UNIT IS SUPPLIED WITH TWO STEREO SPEAKERS, IT ALSO HAS A BUILT-IN BLUETOOTH TRANSMITTER (BT OUT), WHICH GIVES YOU THE OPTION TO PLAY YOUR RECORDS AND LISTEN TO THEM WIRELESSLY THROUGH AN EXTERNAL BLUETOOTH SPEAKER SYSTEM INSTEAD.

THIS CAN ONLY BE DONE IF THE EXTERNAL SPEAKER HAS A BUILT-IN BLUETOOTH RECEIVER. THE RANGE IS APPROXIMATELY 10 METRES.

1. SET THE UNIT IN ANY MODE THAT YOU WANT TO TRANSMIT THE MUSIC FROM, EXCEPT BLUETOOTH MODE. SUCH AS CD / USB / PHONO / TUNER.
2. PRESS AND HOLD THE VOLUME KNOB OF THE MAIN UNIT FOR 2-3 SECONDS, THE BT ICON  WILL SHOW ON THE DISPLAY AND THE BLUETOOTH TRANSMIT LED INDICATOR WILL START SLOWLY FLASHING (ONCE PER SECOND), INDICATING THE BLUETOOTH TRANSMITTER IS NOW IN SEARCHING/CONNECTING MODE.
3. TURN ON YOUR BLUETOOTH SPEAKER SYSTEM AND PLACE IT IN PAIRING/SEARCH MODE.
4. ONCE CONNECTED TO THE BLUETOOTH SPEAKER SYSTEM, THE BLUETOOTH TRANSMIT LED INDICATOR OF THE UNIT WILL LIGHT STEADILY AND THE UNIT INTERNAL SPEAKERS WILL SWITCH OFF AUTOMATICALLY.
5. YOU CAN NOW START WIRELESSLY STREAMING YOUR RECORDS FROM THE UNIT TO YOUR BLUETOOTH SPEAKER SYSTEM.
6. IF YOU WANT TO LISTEN THE MUSIC FROM THE UNIT, PRESS THE VOLUME KNOB ONCE AND THE SPEAKER OF OPERA WILL BE IN USE. THE BLUETOOTH SPEAKER SYSTEM WILL BE MUTED. PRESS THE VOLUME KNOB AGAIN TO RESUME THE STREAMING FROM THE BLUETOOTH SPEAKER SYSTEM AGAIN.
7. IF YOU WANT TO PAIR OR CONNECT THE UNIT TO ANOTHER BLUETOOTH SPEAKER SYSTEM, PRESS AND HOLD THE VOLUME KNOB ONCE, AND THE BLUETOOTH TRANSMIT LED INDICATOR WILL START FLASHING AGAIN.
8. TURN OFF THE PREVIOUS BLUETOOTH SPEAKER SYSTEM AND TURN ON ANOTHER BLUETOOTH SPEAKER SYSTEM YOU WANT TO CONNECT, AND SET IT TO PAIRING/SEARCH MODE IF IT IS A NEW DEVICE. WAIT FOR THE BLUETOOTH CONNECTION.
9. SLOWLY ADJUST THE VOLUME CONTROLS OF YOUR BLUETOOTH DEVICE UNTIL YOU REACH A COMFORTABLE LISTENING LEVEL.
10. TO TURN OFF THE BLUETOOTH TRANSMIT FUNCTION, PRESS AND HOLD THE VOLUME KNOB FOR 2-3 SECONDS AND THE BLUETOOTH TRANSMIT LED INDICATOR WILL BE TURN OFF.

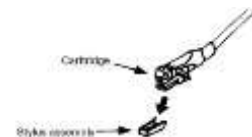
NOTES:

1. REFER TO THE OPERATION MANUAL OF BLUETOOTH SPEAKER SINCE IT MAY VARY FROM MODEL TO MODEL.
2. REMEMBER TO TURN OFF THE UNIT WHEN YOU HAVE FINISHED LISTENING.
3. DON'T FORGET TO SWITCH OFF THE POWER OF YOUR BLUETOOTH SPEAKER AS WELL.

PHONO

OPERATION

- REMOVE THE STYLUS PROTECTOR.
- BE SURE THAT THE TONE ARM IS BEING DETACHED FROM THE TONE ARM REST BEFORE OPERATING AND RE-SECURED AGAIN AFTERWARDS.



1. PRESS FUNCTION BUTTON TO SELECT " PHONO/AUX " MODE. THE LCD DISPLAY WILL SHOW " PHONO/AUX ".
2. RAISE THE TURNTABLE DUST COVER.
3. SET THE SPEED SELECTOR TO THE PROPER POSITION DEPENDING ON THE RECORD TO BE PLAYED.
4. PLACE THE RECORD ON THE PLATTER (USE THE SPINDLE ADAPTOR IF REQUIRED).
5. SET THE CUEING LEVER TO THE UP POSITION.
6. LIFT THE TONE ARM FROM THE REST AND SLOWLY MOVE IT TO THE RECORD SIDE. THE PLATTER WILL START TO ROTATE AND LOCATE THE TONE ARM OVER THE DESIRED POSITION OF THE RECORD.
7. PULL DOWN THE CUEING LEVER. THE TONE ARM WILL COME SLOWLY ON THE RECORDER AND START PLAYBACK.
8. AT THE END OF RECORD, THE TONE ARM WILL RETURN TO THE REST POSITION AUTOMATICALLY.
9. TO STOP MANUALLY, LIFT THE TONE ARM FROM THE RECORD AND RETURN IT TO THE REST.

REMARK : DUE TO THIS DEVICE DESIGNED PHONO AND AUX IN THE SAME CHANNEL. WHEN AUX JACK WAS PLUGGED BY 3.5MM PLUG, THE CHANNEL WILL SWITCH TO AUX FUNCTION AUTOMATICALLY. PLEASE REMOVE THE 3.5MM PLUG FROM THE AUX JACK DURING PLAY THE PHONO.

● PLAY SUSPENSION

SET THE CUEING LEVER TO THE UP POSITION WILL LIFE UP THE TONE ARM AND THEN STOP PLYABACK TEMPOARILY

● PLAY EJECTION

PRESS THE EJECT BUTTON ANYTIME DURING PLAYBACK WILL RETURN THE TONE ARM TO THE REST POSITION IMMEDIATELY.

Remark :

- DUE TO THE AUTO RETURN SYSTEM WAS MECHANICAL DESIGN AND RESET POINT WILL AFFECTED AFTER TRANSPORTAATION. THUS, THE TONE ARM WILL RETURN TO THE REST AUTOMATICALLY WHEN FIRST TIME PLACE IT TO THE PLATTER AND IT WAS NOT THE MALFUCTION
- DUE TO THE LENGTH OF THE RECORD IS VARIOUS, IF YOU FIND THE TONE ARM CANNOT RETURN AUTOMATICALLY AFTER PLAYBACK OF RECORD. PLEASE PRESS THE EJECT BUTTON AND RETURN THE TONE ARM BACK TO THE REST POSITION
- THIS TURNTABLE SYSTEM IS USING A MAGNETIC CARTRIDGE SYSTEM AND USER MUST REPLACE THE SAME TYPE OF CARTRIDGE TO AVOID MALFUNCTION OF THE UNIT.

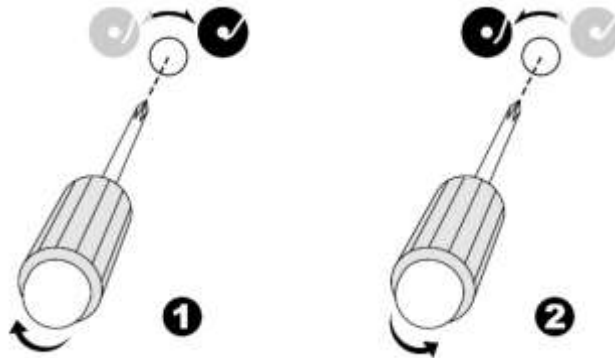
ADJUSTMENTS

PLATTER SPEED ALIGNMENT

- DURING PLAYBACK OF RECORD, TURN THE PITCH ADJUSTMENT TO FINE ADJUST THE PLATTER ROTATION SPEED.
- TURNING CLOCKWISE (+) WILL INCREASE THE TURNING SPEED AND ANTI-CLOCKWISE (-) WILL SLOW DOWN THE SPEED.
- TURN THE PITCH ADJUSTMENT UNTIL THE OUTPUT SOUND PERFORMANCE IS UP TO YOUR SATISFACTION

TONE ARM STOPPING POSITION ALIGNMENT

- THE POSITION OF THE TONE ARM COMPLETE PLAYBACK AND RETURN TO THE REST STATION CAN BE ADJUSTED AT THE ALIGNMENT SCREW AS FOLLOW:-
- BEFORE STARTING THE ALIGNMENT, PLEASE TAKE OUT THE HOLE COVERING RUBBER:-



A) IF THE SYSTEM CANNOT COMPLETE THE PLAYBACK OF RECORD AND RETURN EARLIER

1) USE A CROSS HEAD SCREW DRIVER AND TURNING THE ALIGNMENT SCREW INSIDE THE HOLE CLOCKWISE, THE STOPPING AND EJECT POSITION OF THE TONE ARM WILL MOVE MORE INWARD TO THE CENTER OF THE RECORD BEFORE PLAYBACK COMPLETION.

B) IF THE SYSTEM CANNOT RETURN TO REST POSITION AUTOMATICALLY AFTER PLAYBACK OF RECORD

2) USE A CROSS HEAD SCREW DRIVER AND TURNING THE ALIGNMENT SCREW INSIDE THE HOLE ANTI-CLOCKWISE, THE STOPPING AND EJECT POSITION OF THE TONE ARM WILL MOVE MORE AWAY FROM THE CENTER OF THE RECORD BEFORE PLAYBACK COMPLETION.

REMARK:-

- THE STOPPING POSITION IS VERY SUBJECTIVE AMONG DIFFERENCE CUSTOMERS, PLEASE SELECT THE MOST SUITABLE POSITION BASED ON YOUR OWN RECORD COLLECTION. THE EX-FACTORY SETTING IS BASED ON THE MOST COMMON TEMPLATE.
- PLEASE CHECK THE STOPPING POSITION TIME BY TIME DURING ADJUSTMENT AND AVOID OVER TURNING OF THE SCREW INSIDE.

LINE OUT CONNECTION

YOU CAN CONNECT THE SYSTEM TO YOUR WHOLE HI-FI SYSTEM BY CONNECTING THE LINE OUT SOCKET TO THE AUXILIARY INPUT SOCKET WITH A RCA CABLE (NOT PROVIDED).

MORE FEATURES

A. SLEEP SETTING (BY REMOTE CONTROL)

1. PRESS "SLEEP" BUTTON AND SLEEP INDICATOR " zzz " WILL SHOWN ON THE LCD DISPLAY.
2. KEEP PRESSING THE BUTTON TO ADJUST THE SLEEP TIMER IN THE ORDER OF 90 > 75 >60....15 MINUTES.
3. SYSTEM WILL STOP AND GOTO STANDBY MODE AUTOMATICALLY AFTER THE SELECTED TIMING.
4. TO CANCEL THE SLEEP MODE, PRESS " SLEEP " BUTTON UNIT IT REACHS "OFF" MODE.

REMARK:-

IF PRESS THE SLEEP BUTTON ONCE AND THE SLEEP INDICATOR " zzz " APPEAR ON THE LCD DISPLAY, THE SYSTEM WILL GOTO STANDBY MODE AUTOMATICALLY AFTER THE SELECTED MINUTES.

B. ALARM CLOCK SETTING (BY REMOTE CONTROL)

THIS FUNCTION ALLOWS THE SYSTEM TO TURN ON AUTOMATICALLY AND WAKE YOU UP BY CD, TUNER, OR USB RESPECTIVELY.

FIRST, SET THE UNIT AT STANDBY MODE AND THEN PRESS & HOLD THE " TIMER " BUTTON TO ENTER THE SETTING MODE, THE LCD DISPLAY WILL SHOW SET TIME – SELECT SOURCE :-

- 1) WAKE UP SOURCE : PRESS THE " FUNCTION " BUTTON TO SELECT THE SOURCE FROM " TUNER " " USB " " CD " REPEATLY. PRESS " TIMER " BUTTON AGAIN AFTER SELECTED THE SOURCE.
- 2) WAKE UP TIME : PRESS SKIP UP ►►/ DOWN ◀◀ " BUTTON TO SET THE HOUR & MINUTES AND PRESS " TIME " BUTTON " TO STORE THE MEMORY.

REMARK

- THE UNIT WILL SWITCH OFF AUTOMATICALLY AFTER SETTING THE ALARM. THE WAKE UP VOLUME IS PRESET AT LEVEL 20.
- IF THERE IS NO MUSIC SOURCE BEING DETECTED (SUCH AS USB/CD) WHEN THE PRESET TIME IS REACHED, SYSTEM WILL DEFAULT TO TUNER MODE AUTOMATICALLY.
- FOR TUNER WAKE UP, THE SYSTEM WILL PRESET AT THE LATEST RADIO FRQUENCY BEING LISTENED BEFORE SWITCHING OFF.
- PLEASE SWITCH OFF THE SYSTEM MANUALLY DURING ALARM WAKE UP MODE AS THE SYSTEM WILL NOT TURN OFF AUTOMATICALLY AFTER ALARM ON MODE.

● ACTIVE/DE-ACTIVE TIMER FUNCTION

1. TO ACTIVE THE ALARM, PRESS ONCE THE " TIMER " BUTTON ON REMOTE HANDSET AT STANDBY MODE UNTIL THE TIMER INDICATOR " ⌚ " IS SHOWN ON LCD DISPLAY.
2. TO CANCEL ALARM FUNCTION BY PRESS ONCE AGAIN " TIMER " BUTTON AT STANDBY MODE UNTIL THE TIMER INDICATOR " ⌚ " DISAPPEAR.

C. PRE-SET EQ FUNCTION (BY REMOTE CONTROL)

THIS UNIT PROVIDES 4 DIFFERENCES SOUND MODE TO ENHANCE YOUR LISTENING EXPERIENCE. YOU CAN SELECT THE DESIRED EFFECT BY PRESSING THE " PRESET EQ" BUTTON REPEATEDLY AT FOLLOWING SEQUENCE:-



D. DISPLAY FUNCTION (BY REMOTE HANDSET)

PRESS TO INDICATE THE CURRENT TIME WHEN THE SYSTEMS IS OPERATING BY ANY MODE OF ALL FUNCTIONS.

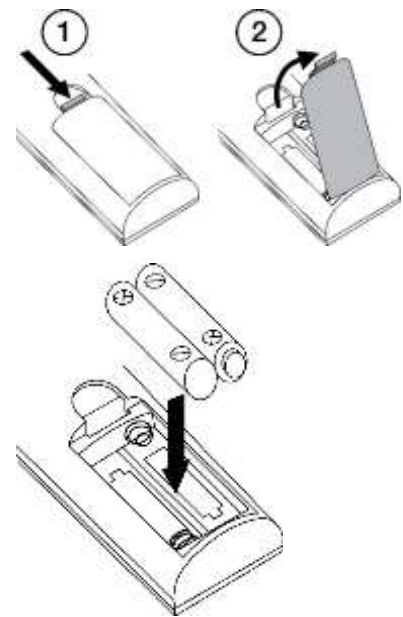
REMOTE CONTROL TRANSMITTER

BUTTON DESCRIPTION

ON/STANDBY	PRESS TO SWITCH ON/STANDBY THE SYSTEM	
FUNCTION	PRESS TO SELECT THE FUNCTIONS (TUNER-CD-SD-PHON/AUX)	
FOLDER/PRE-DN ▼	IN MP3/USB MODE : PRESS TO SKIP DOWN THE ALBUM IN TUNER MODE : PRESS TO CALL DOWN THE PRESET MEMORY IN ORDER	
FOLDER/PRE-UP ▲	IN MP3/USB MODE : PRESS TO SKIP UP THE ALBUM IN TUNER MODE : PRESS TO CALL UP THE PRESET MEMORY IN ORDER	
MEMORY/CLK-ADJ	IN CD/USB MODE : PRESS TO ACTIVE CD PROGRAM FUNCTION IN TUNER MODE : PRESS TO ACTIVE PRESET STATION MODE IN STANDBY MODE : PRESS TO ADJUST CLOCK	
TUNING SKIP UP ►►►/DOWN ◄◄◄	IN CD/USB MODE : TO SELECT PREVIOUS / NEXT TRACK IN TUNER MODE : PRESS TO STEP UP/DOWN OF FREQUENCY	
PLAY/PAUSE ►	IN CD/USB MODE : PRESS ONCE TO START PLAYBACK. PRESS ONCE AGAIN TO STOP PLAYBACK TEMPORARILY	
STOP ■	PRESS TO STOP CD/MP3/USB PLAYBACK OR CANCEL PROGRAMMED MEMORY	
VOLUME -/+	PRESS TO ADJUST VOLUME LEVEL UP/ DOWN	
FM-ST/MOMO / PLAY MODE	IN TUNER MODE : PRESS TO SELECT FM STEREO OR FM MONO MODE IN CD/USB MODE : PRESS TO ACTIVE REPEAT/RANDOM FUNCTION	
EQ	PRESS TO SELECT DIFFERENCE EQ MODE FOR ENJOYMENT	
FM SCAN	IN TUNER MODE: PRESS TO SCAN ALL THE AVAILABLE FM STATIONS	
SLEEP/TIMER	IN POWER ON MODE : PRESS TO ACTIVE SLEEP FUNCTION IN STANDBY MODE : PRESS AND HOLD TO ENTER ALARM SET UP MODE AND PRESS ONCE TO ACTIVE/DE-ACTIVE ALARM FUNCTION	
DEL/ INFO	IN USB MODE : PRESS TO DELETE THE FILE IN THE USB PEN DRIVE IN MP3 PLAYBACK MODE : PRESS TO ACTIVE ID3 FUNCTION	
PAIRING	IN BLUETOOTH TRANSMIT (BT OUT) MODE, PRESS AND HOLD TO ACTIVE THE BLUETOOTH TRANSMIT FUNCTION. PRESS ONCE TO DISCONNECT THE BLUETOOTH TRANSMIT CONNECTION. PRESS AGAIN FOR RE-CONNECTION PRESS AND HOLD AGAIN TO TURN OFF THE BLUETOOTH TRANSMIT FUNCTION	
DISPLAY	AT POWER ON : PRESS TO DISPLAY CURRENT TIME	
REC	PRESS TO ACTIVE ENCODING/MP3 FUNCTION	
TS	IN ENCODING MODE : PRESS TO ACTIVE TRACK SEPARATION FUNCTION	
CD DOOR OPEN/CLOSE	IN CD MODE: PRESS TO OPEN OR CLOSE THE CD DOOR	

BATTERY INSTALLATION


- 1.) Open the battery compartment cover.
- 2.) Insert two "AAA" (UM-4) batteries (included) and observe the polarity as indicated inside the battery compartment when installing.
- 3.) Replace the cover.



Battery Precautions

- Replacement of batteries must be done by an adult.
- Do not mix old and new batteries.
- Do not mix alkaline, standard (carbon-zinc) or rechargeable (nickel-cadmium) batteries.
- If the batteries in the device have expired or the device is not to be used for a long period of time, remove the battery to prevent damage or injury from possible battery leakage.
- The supply terminals are not to be short-circuited.
- Non-rechargeable batteries are not to be recharged.
- Exhausted batteries are to be removed.
- Only batteries of the equivalent type are to be used.
- Batteries are to be inserted with the correct polarity.
- Dispose of batteries properly. Do not dispose of batteries in fire or leave in direct sunlight. The batteries may explode or leak.
- Clean the contacts of the batteries and the contacts in the device prior to battery installation.

SPECIFICATIONS

DC: 17V  3.5A

Bluetooth

Maximum communication range: Line of sight approx. 10m (30 feet)

CARE AND MAINTENANCE

1. Avoid operating your unit under direct sunlight or in hot, humid or dusty places.
2. Keep your unit away from heating appliances and sources of electrical noise such as fluorescent lamps or motors.
3. Unplug the unit from the electrical power outlet immediately in case of malfunction.

CLEANING THE UNIT

- To prevent fire or shock hazard, disconnect your unit from the AC power source when cleaning.
- The finish on the unit may be cleaned with a dust cloth and cared for as other furniture. Use caution when cleaning and wiping the plastic parts.
- If the cabinet becomes dusty wipe it with a soft dry dust cloth. Do not use any wax or polish sprays on the cabinet.
- If the front panel becomes dirty or smudged with fingerprints it may be cleaned with a soft cloth slightly dampened with a mild soap and water solution. Never use abrasive cloths or polishes as these will damage the finish of your unit.

CAUTION: Never allow any water or other liquids to get inside the unit while cleaning.

Disclaimer

Updates to Firmware and/or hardware components are made regularly. Therefore some of the instruction, specifications and pictures in this documentation may differ slightly from your particular situation. All items described in this guide for illustration purposes only and may not apply to particular situation. No legal right or entitlements may be obtained from the description made in this manual.

Warning Statement

This device complies with part 15 of the FCC Rules. Operation is subject to the following two conditions: (1) This device may not cause harmful interference, and (2) this device must accept any interference received, including interference that may cause undesired operation.

Any Changes or modifications not expressly approved by the party responsible for compliance could void the user's authority to operate the equipment.

Note: This equipment has been tested and found to comply with the limits for a Class B digital device, pursuant to part 15 of the FCC Rules. These limits are designed to provide reasonable protection against harmful interference in a residential installation. This equipment generates uses and can radiate radio frequency energy and, if not installed and used in accordance with the instructions, may cause harmful interference to radio communications. However, there is no guarantee that interference will not occur in a particular installation. If this equipment does cause harmful interference to radio or television reception, which can be determined by turning the equipment off and on, the user is encouraged to try to correct the interference by one or more of the following measures:

- Reorient or relocate the receiving antenna.
- Increase the separation between the equipment and receiver.
- Connect the equipment into an outlet on a circuit different from that to which the receiver is connected.
- Consult the dealer or an experienced radio/TV technician for help.

This equipment complies with FCC radiation exposure limits set forth for an uncontrolled environment. This equipment should be installed and operated with minimum distance 20cm between the radiator & your body.