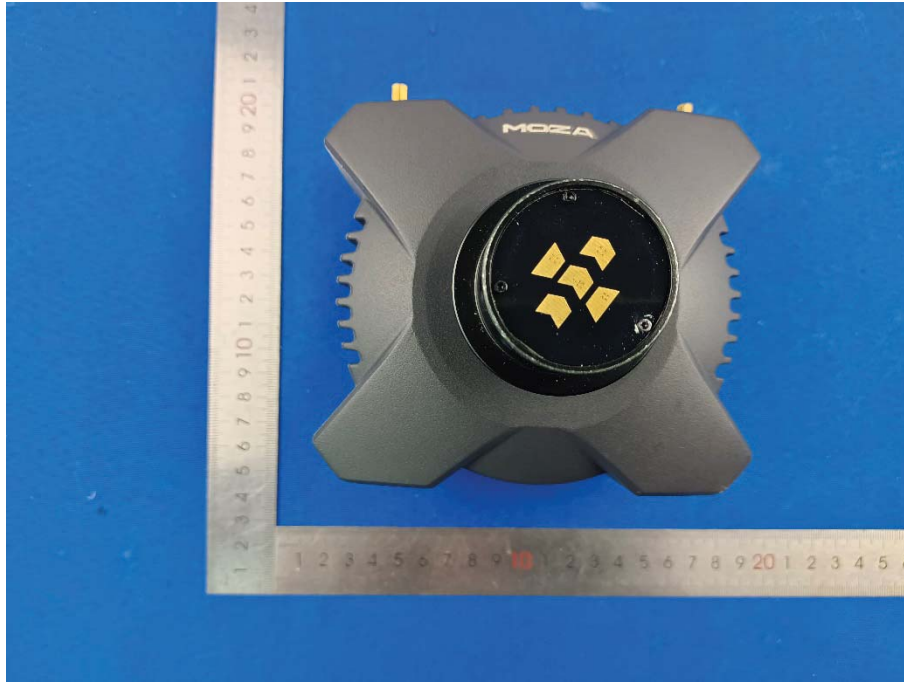
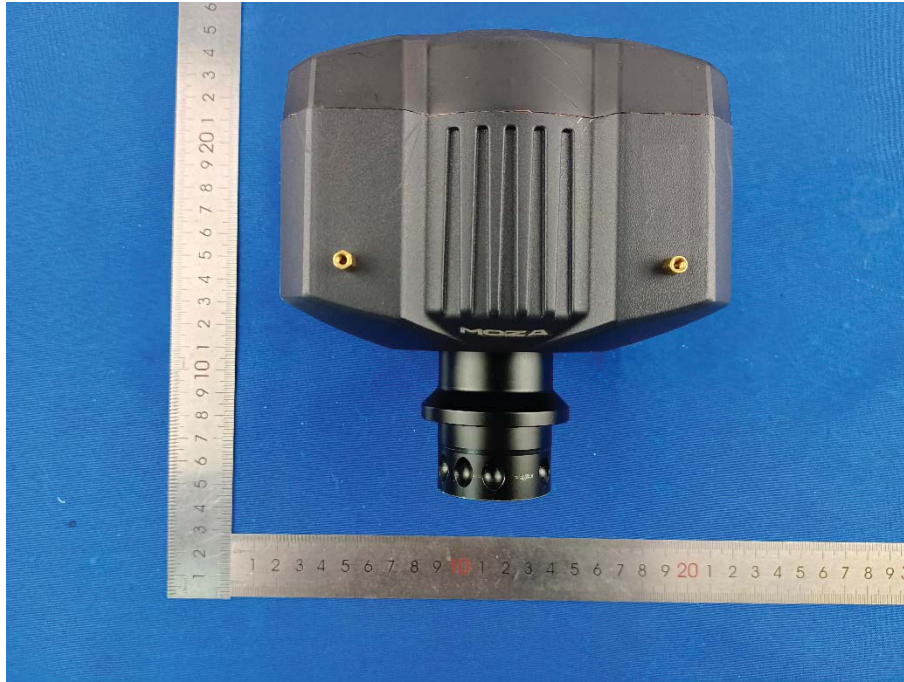


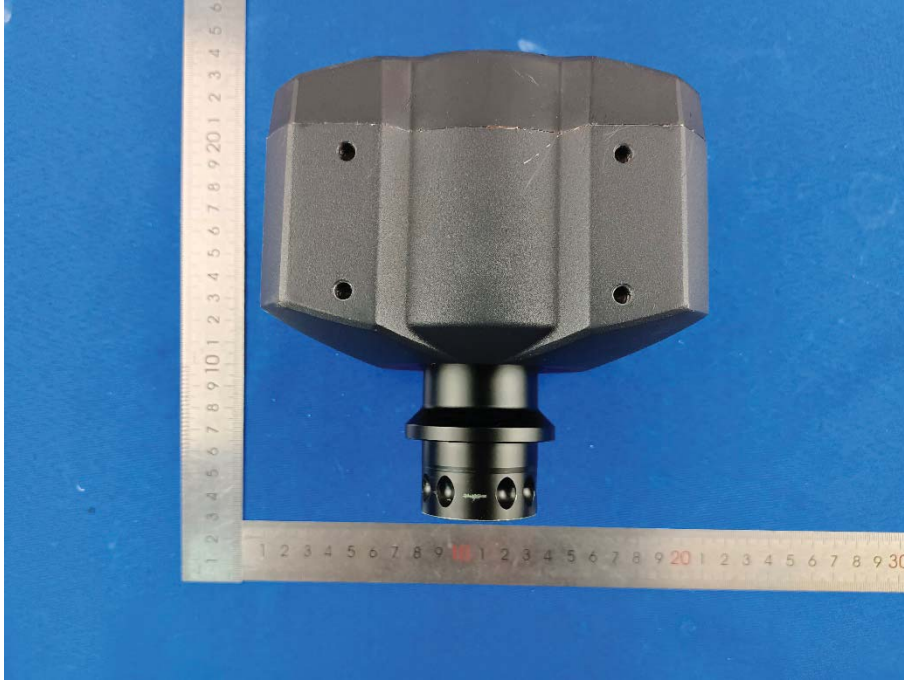
Appendix - EUT Photos

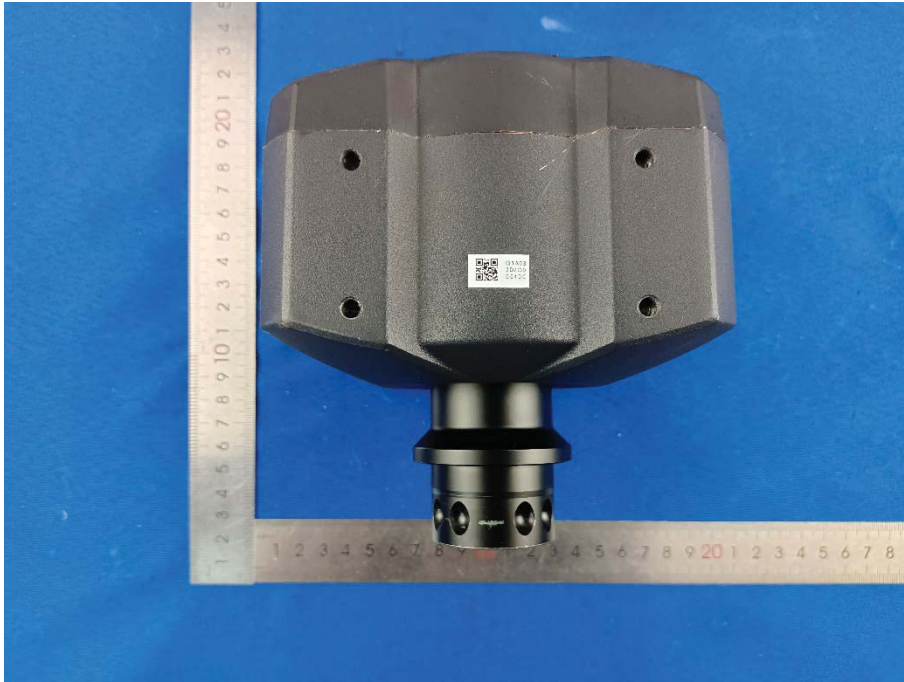
Model: R3











----End of Report----