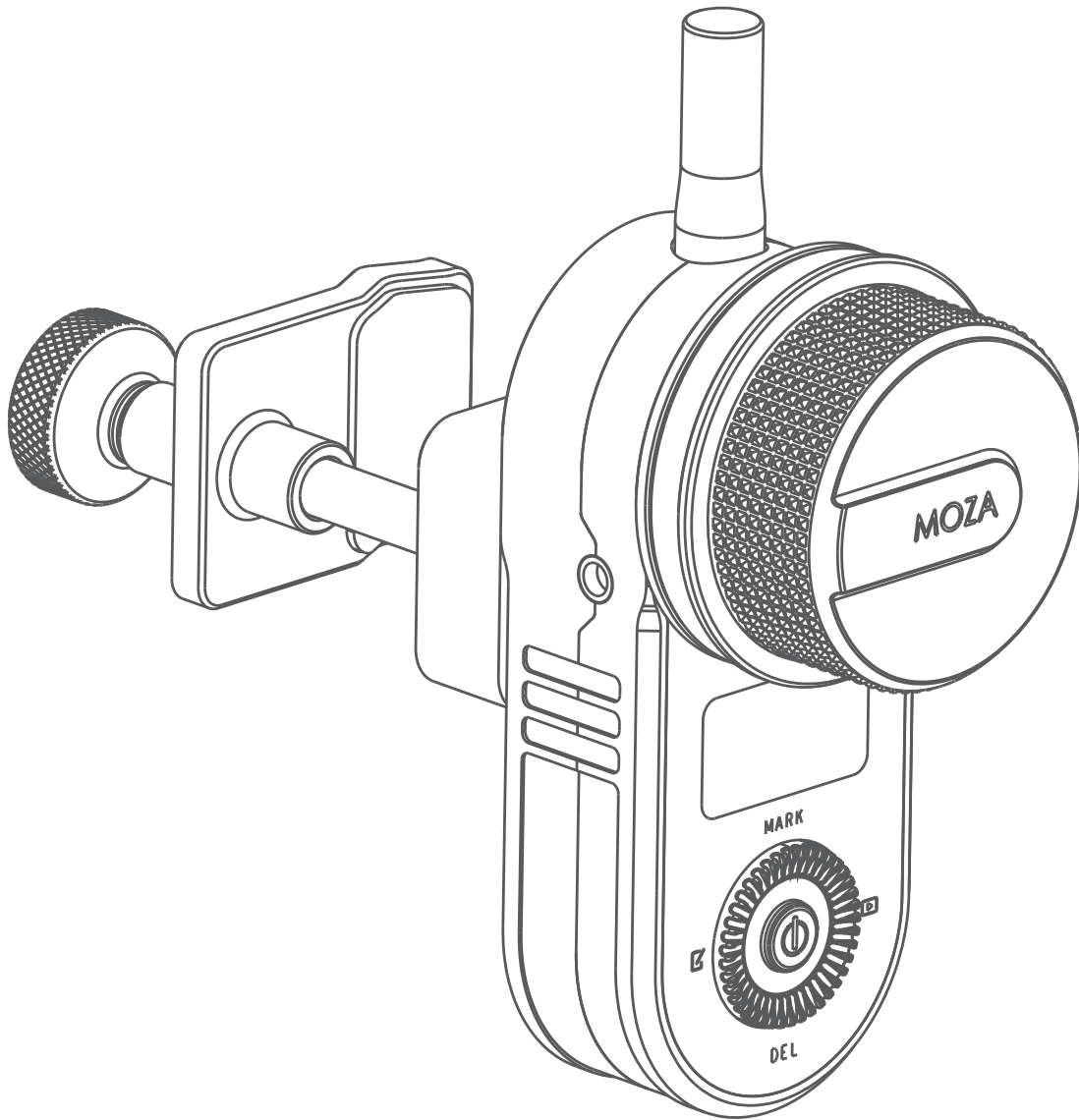


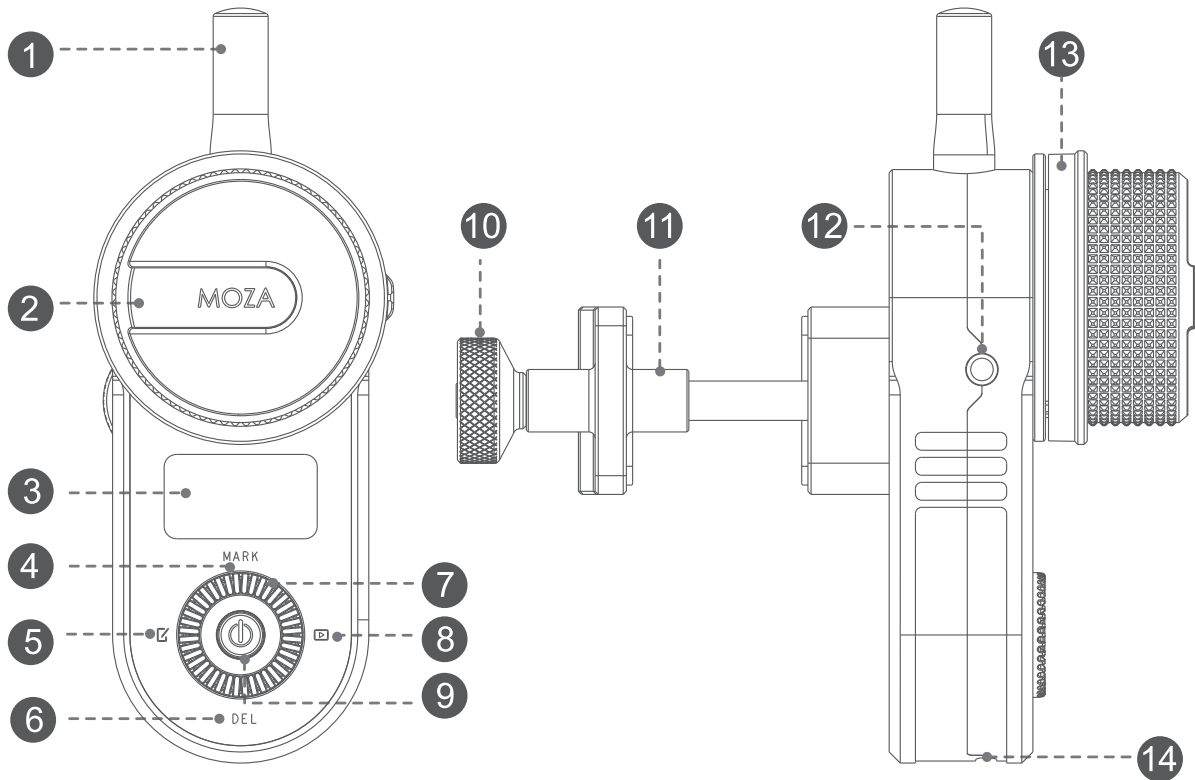
FCC ID: 2AMJR-IFOCUSHANDLE



MOZA iFocus Handunit

User Manual
用户手册

Handunit



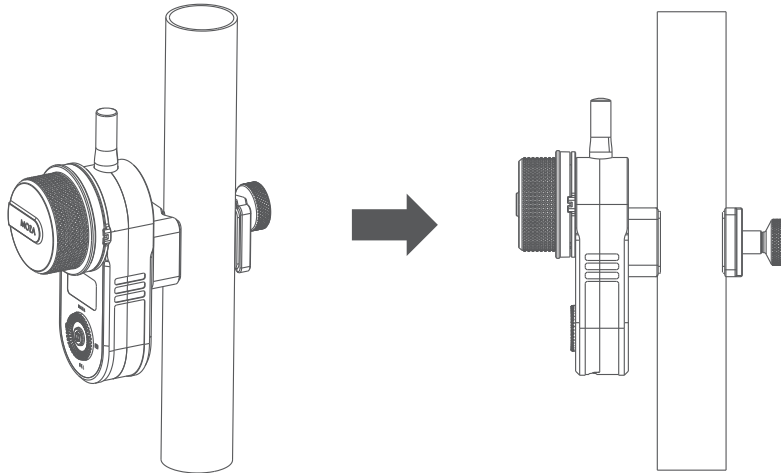
- | | | |
|-----------------------|----------------|-------------------|
| 1 Antenna | 6 DEL Button | 11 Rod Clip |
| 2 Wheel | 7 Dial | 12 Multi-CAN Port |
| 3 OLED Display Screen | 8 Play Button | 13 Mark Ring |
| 4 Mark Button | 9 Power Button | 14 USB-C Port |
| 5 REC Button | 10 Knob Screw | |

Getting Started

Installation

- Loosen the knob screw on the rod clip.
- Revolve the rod bar into the clip.
- Tighten the knob screw.

⚠ Note: the rod clip of the handunit can clamp a rod bar with a diameter ranging from 15mm to 32mm.



Charging

Connect the iFocus handunit to the charger via a USB-C cable, then the charging and battery level icon will be displayed on the screen. After the battery is fully charged, the charging icon will disappear.

Button Functions

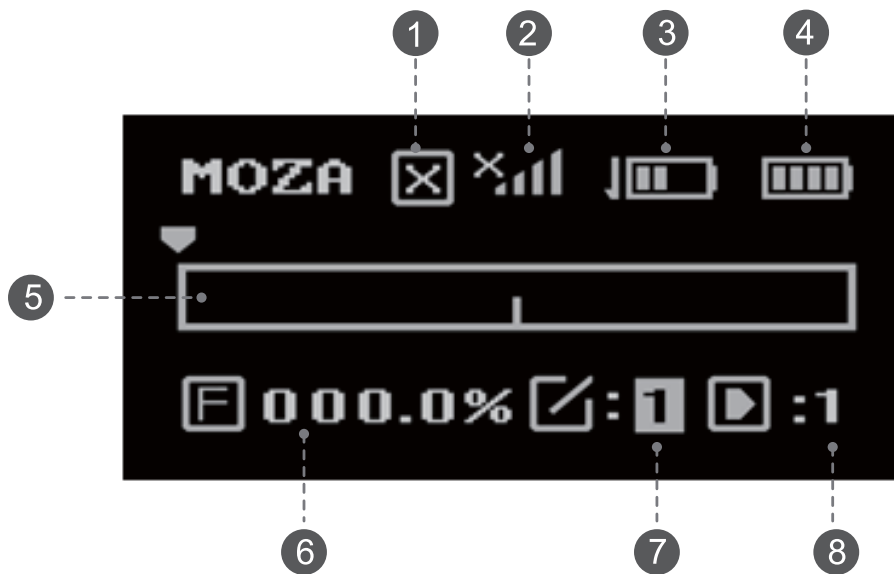
Interface	Press	UP (MARK)	Down (DEL)	Left (REC)	Right (PLAY)	Power
Main interface	1x	—	—	—	—	Enter menu
	2x	—	—	Start/stop recording	Start/stop Playing	—
	Press for 3s	—	Clear AB points	Select recording No.	Select playing No.	Power off
	Hold	Mark AB points	—	—	—	Power off
Menu	1x	Item-up	Item-down	Return	Confirm	Return to the main interface
Remote control route calibration	Hold	Follow focus turns clockwise	Follow focus turns anticlockwise	—	—	Power off

On/Off

Turn On: Press and hold the power button for 3 seconds until the MOZA icon appears on the screen.

Turn Off: Press and hold the power button for 3 seconds in power-on status.

Status Display



- | | |
|--|--------------------------------------|
| ① Route Calibration Status | ⑤ Route Bar |
| ② Wireless Connection Status | ⑥ Route Percentage |
| ③ Battery Indicator of iFocus motor | ⑦ Intelligent Guidance Record Number |
| ④ Battery Indicator of iFocus handunit | ⑧ Intelligent Guidance Play Number |

Connecting the iFocus Motor

Pair

- Turn off the iFocus motor.
- Turn on the handunit, enter the menu interface, and select wireless > pair > pairing.
- Turn on the iFocus motor and wait for 2 seconds until the handunit screen displays "Pair OK!".

! Note: After the pairing is complete, please calibrate the route of the follow focus first to ensure it can be controlled. Please refer to page 4 for details.

Set A-B Endpoints

- Use the hand wheel to control the iFocus motor to move to the endpoint A.
- Press and hold MARK button until "A" appears on the route bar, then turn the hand wheel to move the iFocus motor to the end point B.
- Release the MARK button to complete the A-B endpoints setting.

Cancel the A-B Endpoints

With the white A-B endpoints bar displayed on the screen, long press the DEL button to cancel the A-B endpoints setting and restore the end point of route calibration.

Intelligent Guidance - Record

Long press the record button, then turn the dial to select the record number (1,2 and 3 are available).

- a. Double press the record button, the record number flashes and camera starts to record.
- b. Turn the wheel, and the movement data of follow focus motor will be recorded.
- c. Double-click the record button to ends recording.

 Note: the longest recording time is 1 minute.

Intelligent Guidance – Play

- a. Long press the play button, then turn the dial to select the record number (1,2 and 3 are available).
- b. Double press the play button, the play number flashes and video starts to play.
- c. The follow focus moves according to the recorded data, and will stop automatically when playing ends.

Menu Introducing

Wireless> :

Pair> : pairing, please refer to page 3 for pairing operation

Motor> :

Dir> : set the rotation direction of the follow focus motor
Rotate the dial to select CM (clockwise) or CCM (counterclockwise), and press the right button. When the screen displays [OK!], setting is completed.

Function> :

Motor Calibrate> : follow focus motor route calibration

Mark the total distance of the lens focus ring by route calibration before using the iFocus and the lens position can be precisely controlled by the handunit. The follow focus remembers the last calibration and needs not to be re-calibrated every time it is turned on unless the relative position of gear and focus ring is changed (The focus ring is turned manually or the follow focus is re-installed).

Manual-Hand

Click the right button to start the operation

- a. Manually rotate the lens focus ring to the starting point.
- b. Press the right button to confirm the starting point.
- c. Manually rotate the lens focus ring to the end point.
- d. Press the right button to confirm the end point.
- e. Click the left button to exit from calibration, or click the power button to return to the main interface.

Manual-Remote

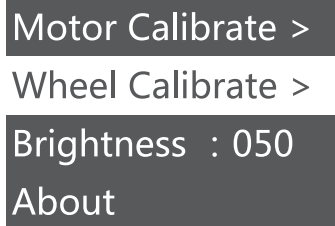
Click the right button to start the operation.

- a. Press the up button to rotate the lens focus ring to the starting point.
- b. Press the right button to confirm the starting point.
- c. Press the down button to turn the lens focus ring to the end point.

- d. Press the right button to confirm the end point position.
- e. Press the left button to exit from calibration, or click the power button to return to the home interface.

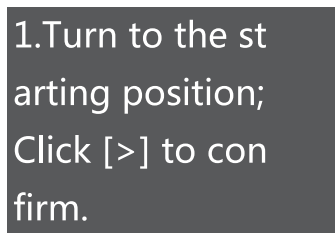
Wheel Calibrate>:

The wheel is for controlling the movement of the follow focus. In general, the number is the smallest when it's rotated counterclockwise to the end, and when it's rotated clockwise to the end, the number is the largest. The wheel needs to be calibrated if it doesn't work well.

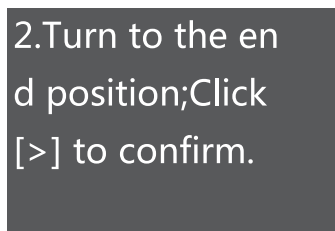


Click the right button first to start

- a. Turn the wheel to the start position (as shown), click the right button to confirm.



- b. Turn the wheel to the end position (as shown), click the right button to confirm.



- c. Click the left button to exit from calibration, or click the power button to return to the home interface.

Brightness>:

Select the "Brightness" item, turn the dial to adjust the number. The larger the number, the brighter the screen display.

About>:

Display the firmware version of iFocus handunit.

Firmware Upgrading

The handunit can be upgraded separately or together with the follow focus motor.

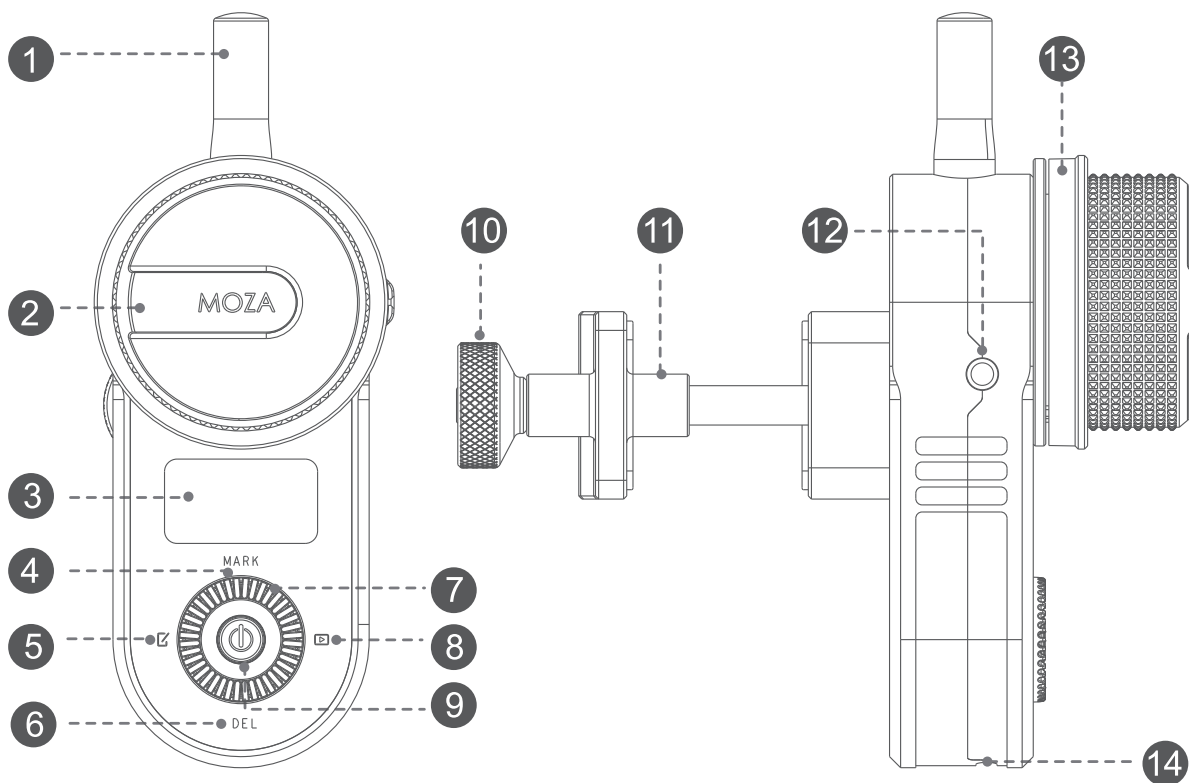
- a. Turn off the handunit and follow focus first.
- b. Connect the handunit and follow focus via Multi-CAN, then connect the handunit to the computer with a USB-C cable.
- c. Long press the power button on the follow focus for 3s until the indicator light is on.
- d. Hold the down button and don't release, click the power button, "Boot Mode" pops up on the screen, the handunit enters the upgrade mode.
- e. Launch the MOZA Assistant software. After the firmware download is complete (which will take about 30s), click "upgrade" to start.
- f. After the upgrade is done, restart the handunit and follow focus motor.

Specifications

Weight (battery excluded)	165g
Dimensions	38*92*48mm
Operation Voltage	3.7V
Battery Capacity	750mAh
Upgrade/Charging Port	USB-C
Temperature	0--50℃

认识MOZA iFocus

遥控器



① 天线

② 手轮

③ OLED显示屏

④ MARK键

⑤ 录制键

⑥ DEL键

⑦ 拨盘

⑧ 播放键

⑨ 开关键

⑩ 管夹锁紧螺丝

⑪ 管夹

⑫ Multi-CAN接口

⑬ 标记环

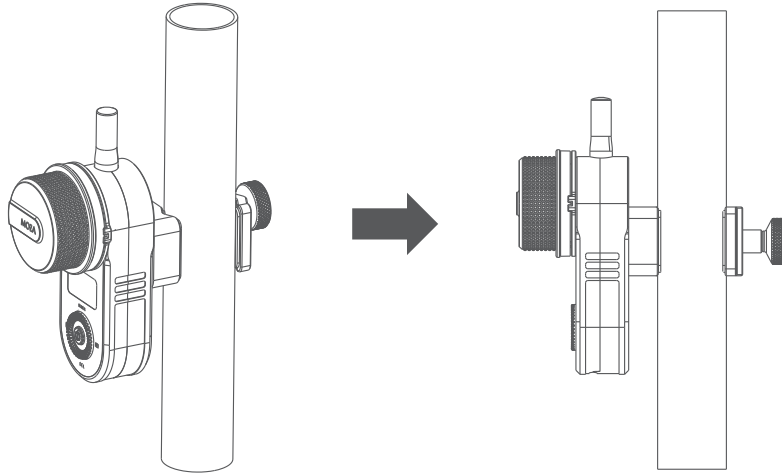
⑭ USB-C接口

入门

安装

- 将管夹锁紧螺丝拧松；
- 将管夹套入安装遥控器的圆管上；
- 拧紧管夹锁紧螺丝。

⚠ 注意： 遥控器的管夹能夹持在直径为15mm到32mm的圆管上。



充电

使用USB-C线将遥控器连接到充电器，遥控器的显示屏会显示充电图标和电量，电池充满后，充电图标消失。

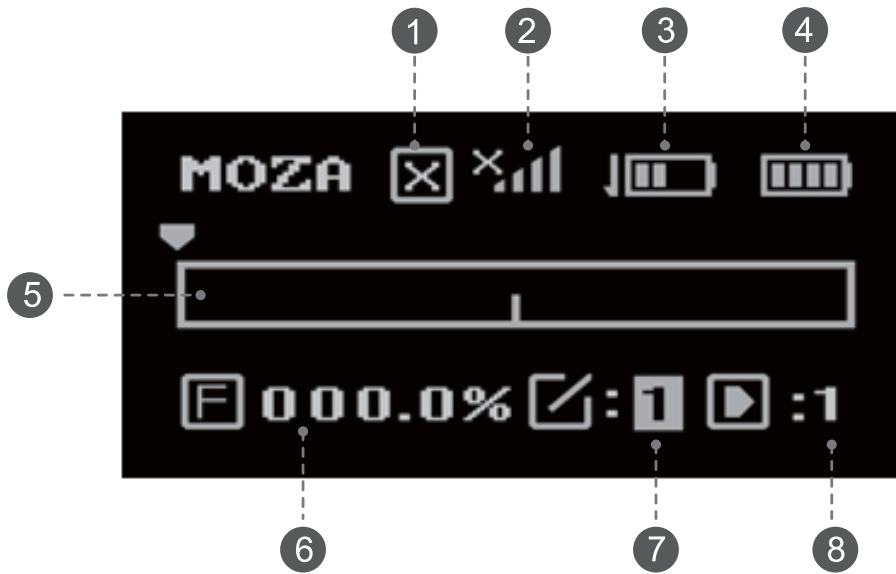
按键功能定义

界面	操作	上 (MARK)	下 (DEL)	左 (REC)	右 (PLAY)	电源
主界面	单击	——	——	——	——	进入菜单
	双击	——	——	开始/结束录制	开始/结束播放	——
	长按3s	——	清除 AB 点	选择录制编号	选择播放编号	关机
	保持	标记AB点	——	——	——	关机
菜单	单击	选择条上移	选择条下移	返回	确认	返回主界面
遥控行程校准	保持	跟焦器正转	跟焦器反转	——	——	关机

开机、关机

长按电源键3秒，屏幕上显示MOZA图标则开机成功。开机状态下，长按电源键3秒即关机。

状态显示



- | | |
|----------|------------|
| ① 行程校准状态 | ⑤ 行程显示条 |
| ② 无线连接状态 | ⑥ 智能示教播放序号 |
| ③ 跟焦器电量 | ⑦ 智能示教录制序号 |
| ④ 遥控器电量 | ⑧ 行程百分比 |

连接跟焦器

配对

- 关闭跟焦器；
- 打开遥控器，进入菜单，选择Wireless>Pair>Pairing；
- 跟焦器开机，等待2秒，遥控器屏幕会显示“Pair OK！”，配对完成。

⚠ 注意：配对成功后，需要先进行跟焦器的行程校准，才能正常控制跟焦器。参考第10页

设置A-B限位

- 用手轮控制跟焦器运动到限位A；
- 按住MARK键，当行程显示条出现A字样时，转动手轮控制跟焦器运动到限位B；
- 松开MARK键，A-B限位设置完成。

取消A-B限位

在屏幕上显示有白色A-B限位条的状态下，长按DEL键，可取消设置的A-B限位，恢复行程校准的限位。

智能示教功能-录制

- a. 长按录制按键，录制序号被选中，转动拨盘选择录制序号(可选1,2,3)；
- b. 双击录制按键，录制序号闪烁，开始录制；
- c. 操作手轮，跟焦器运动的数据将会被记录；
- d. 录制完成后，双击录制按键，结束录制。

 注：录制最长时间为1分钟。

智能示教功能-播放

- a. 长按播放按键，播放序号被选中，转动拨盘选择播放序号(可选1,2,3)；
- b. 双击播放按键，播放序号闪烁，开始播放；
- c. 跟焦器按照录制的数据运动，播放完成后，自动停止。

菜单介绍

Wireless> : 无线

Pair> : 配对，请参考第9页进行配对操作

Motor> : 跟焦器电机设置

Dir> : 设置跟焦器电机转动的方向

转动拨盘，选择Dir的值为CM（顺时针）或者CCM（逆时针），然后单击拨盘右键，屏幕显示[OK!]，设置完成。

Function> : 功能

Motor Calibrate> : 跟焦器行程校准

使用跟焦器前请通过行程校准来标记镜头的总行程，使遥控器能精确控制镜头的位置。

跟焦器将记录上一次的校准数据，关机后如果没有使齿轮与对焦环的相对位置发生变化(手动转动对焦环或者重新安装跟焦器)，就不需要再次进行校准。

Manual-Hand手动校准

点击拨盘右键开始操作。

- a. 手动将镜头跟焦环旋转到起始点；
- b. 点击遥控器拨盘右键，确认起始点位置；
- c. 手动将镜头跟焦环旋转到结束点；
- d. 点击遥控器拨盘右键，确认结束点位置；
- e. 点击拨盘左键退出校准，或者点击菜单键回到主界面。

Manual-Remote遥控校准

点击拨盘右键开始操作。

- a. 按住拨盘上键将镜头跟焦环旋转到起始点；
- b. 点击遥控器拨盘右键，确认起始点位置；
- c. 按住拨盘下键将镜头跟焦环旋转到结束点；
- d. 点击遥控器拨盘右键，确认结束点位置；
- e. 点击拨盘左键退出校准，或者点击菜单键回到主界面。

Wheel Calibrate> : 手轮校准

遥控器使用手轮控制跟焦器运动。正常情况下，手轮逆时针旋转到限位时数值最小，手轮顺时针旋转到限位时数值最大。如手轮异常，则需要进行手轮校准。

点击右键开始操作

Motor Calibrate >

Wheel Calibrate >

Brightness : 050

About

a. 将手轮转动到起始位置（如图），点击拨盘右键确认；

1.Turn to the starting position;
Click [>] to confirm.

b. 将手轮转动到结束位置（如图），点击拨盘右键确认；

2.Turn to the end position;
Click [>] to confirm.

c. 点击拨盘左键退出校准，或者点击菜单键回到主界面。

Brightness> : 屏幕显示亮度调节

选中Brightness后，转动拨盘，可以从0到100调节其数值，数值越大，屏幕亮度越高。

About> : 关于

查看遥控器固件版本信息。

固件升级

iFocus遥控器可以自己单独升级，也可以连接上iFocus跟焦器一起升级。升级操作如下：

- 将跟焦器和遥控器关机；
- 用Multi-CAN连接跟焦器和遥控器，使用USB-C连接遥控器和电脑；
- 长按跟焦器电源键3s，直至白灯点亮；
- 按下方向键下键，不要松开，然后单击电源键，屏幕上会显示 'Boot Mode' ，即进入固件升级状态；

- e. 启动MOZA Assistant软件，软件会自动进入升级界面，等待固件下载完成后，点击 ‘升级’ 按钮，等待约30秒；
- f. 升级过程中，遥控器屏幕会显示 ‘Upgrading’ ，升级完成后，屏幕会显示 ‘Upgrade success’ ；
- g. 重启跟焦器和遥控器即可。

规格参数

重量 (不带电池)	165g
尺寸	38*92*48mm
工作电压	3.7V
电池容量	750mAh
升级/充电接口	USB-C
工作温度	0-50°C

产品保修卡

用户资料

产品型号	MOZA iFocus Handunit
购买日期	
姓名	
电话	
地址	

产品保修条例

保修期

自购机日起，遥控器主体保修12个月；电机、电池保修3个月。设备外壳、说明书、线材、包装等不在"一年免费保修服务"范围内，您可以选择有偿服务。

七日内免费退货

自购机日起7日内，根据国家最新三包规定，您可以选择退货（按票面金额一次性退清货款）、换货（更换同型号同规格的产品）或修理。

八至十五日免费换货或修理

自购机日起第8日至第15日内，主机出现性能故障，并经特约维修中心检测，确认非人为损坏的本身质量问题，您可以选择换货(更换同型号、同规格产品)或修理；但是更换的范围，只限于产品主机，其他配件无质量问题，不能更换；购买者在以下条件下不享受免费保修服务，您可以选择有偿服务。

1. 超过三包有效期的
2. 无三包凭证及有效发货票的，但能够证明该产品在三包有效期内的除外
3. 包修凭证上的型号与修理产品型号不符或者涂改的
4. 非本公司特约维修人员拆动造成损坏的
5. 因不可抗力造成损坏的
6. 未按产品使用说明书要求使用、维护、保养而造成损坏的

合格证

检验员：_____

GUDSEN

INVENTED FOR VIDEO

Gudsen Technology Co., Ltd

Web: www.gudsen.com

This device complies with part 15 of the FCC rules. Operation is subject to the following two conditions: (1) this device may not cause harmful interference, and (2) this device must accept any interference received, including interference that may cause undesired operation.

NOTE: The manufacturer is not responsible for any radio or TV interference caused by unauthorized modifications or changes to this equipment. Such modifications or changes could void the user's authority to operate the equipment.

NOTE: This equipment has been tested and found to comply with the limits for a Class B digital device, pursuant to part 15 of the FCC Rules. These limits are designed to provide reasonable protection against harmful interference in a residential installation. This equipment generates uses and can radiate radio frequency energy and, if not installed and used in accordance with the instructions, may cause harmful interference to radio communications. However, there is no guarantee that interference will not occur in a particular installation. If this equipment does cause harmful interference to radio or television reception, which can be determined by turning the equipment off and on, the user is encouraged to try to correct the interference by one or more of the following measures:

- Reorient or relocate the receiving antenna.
- Increase the separation between the equipment and receiver.
- Connect the equipment into an outlet on a circuit different from that to which the receiver is connected.
- Consult the dealer or an experienced radio/TV technician for help.