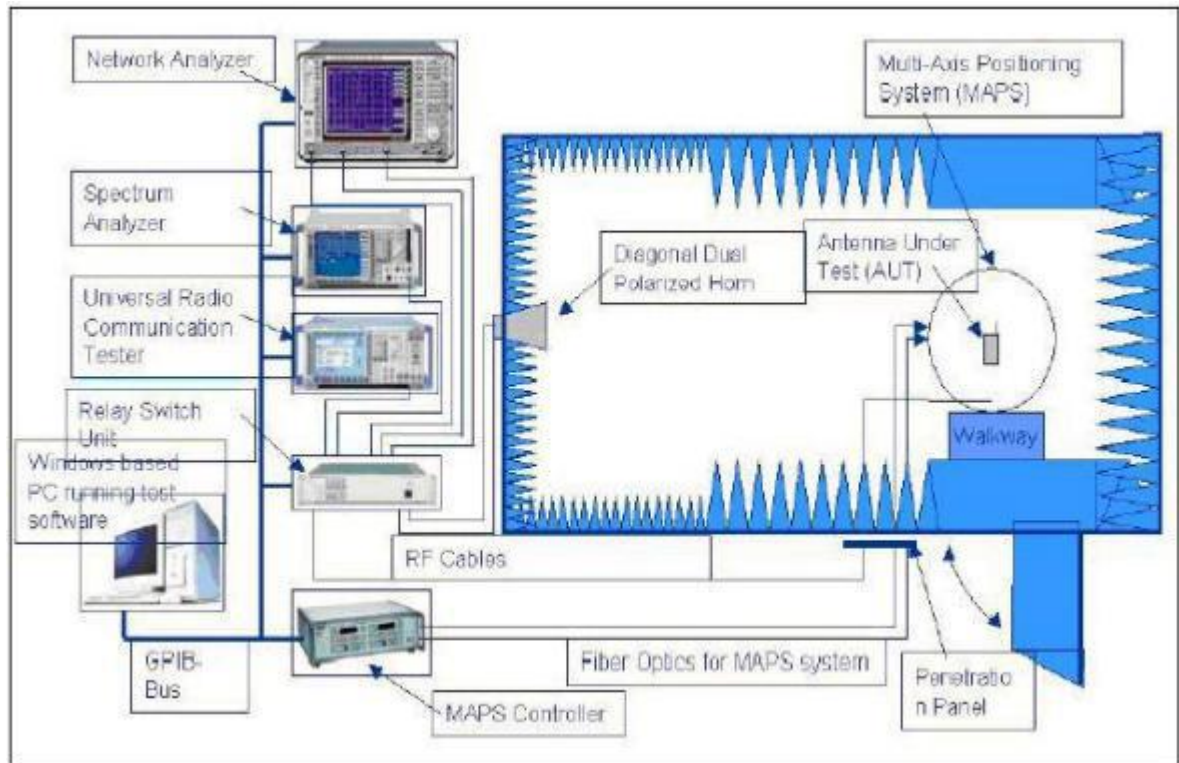




The NF-03 antenna test report

No.	Item	Specifications
1	Impedance	50 Ω
2	Band Width	2400~2525MHZ
3	MAX. Gain	2.16dbi
4	Chip model	Si24R1
5	Version	V1.0
6	Manufacture	SHENZHEN B&T TECHNOLOGY Co.,Ltd
7	Address	7th Floor, Block B, Huafeng Second Industrial Park, Hangkong Road, Xixiang Street, Bao 'an District, Shenzhen

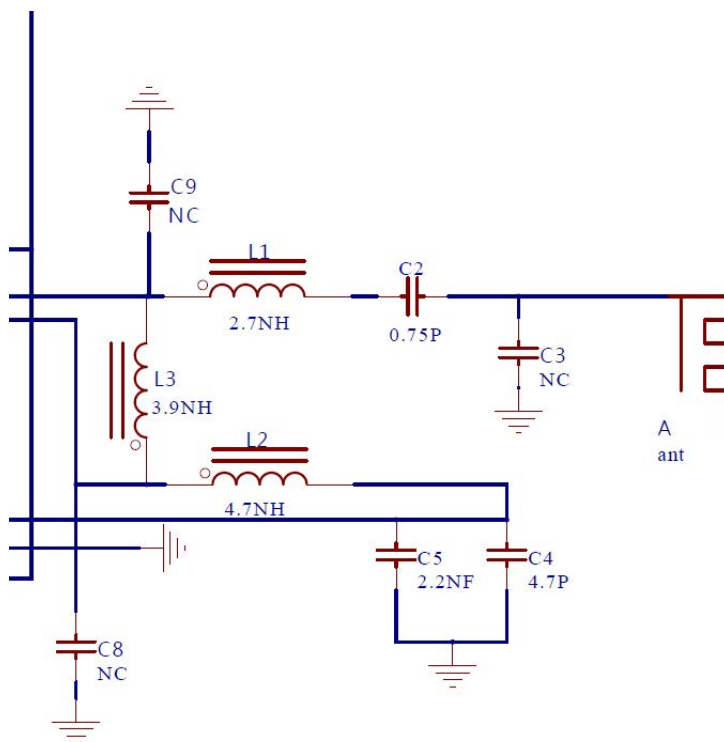
1. Test schematic of the microwave darkchamber



2. instruction

This report presents the electrical performance results of NF-03

3. Matching circuit

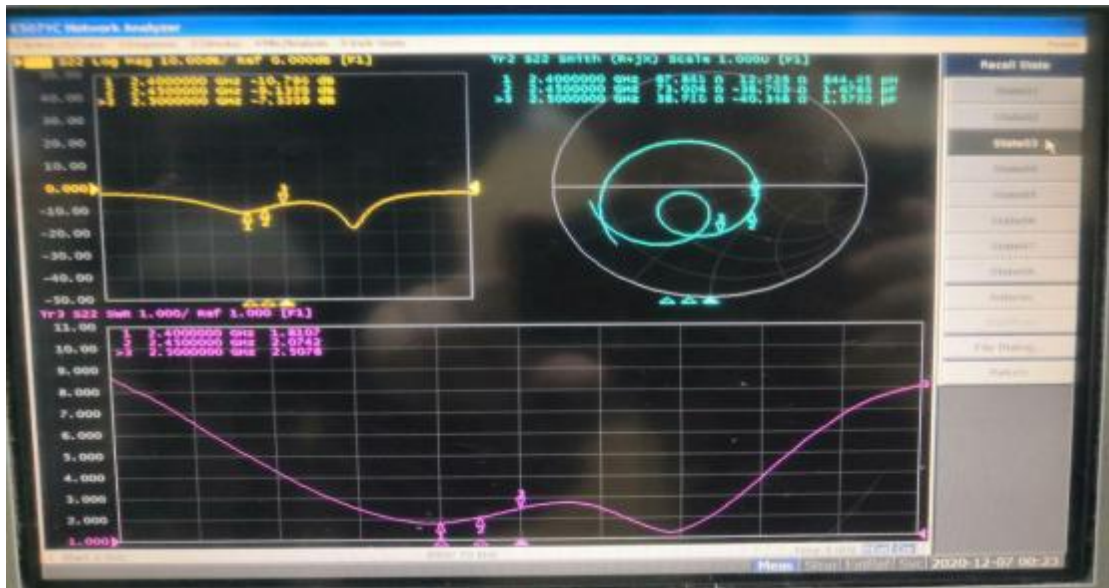


4. Antenna passive parameter

4.1 Test the prototype and the environment



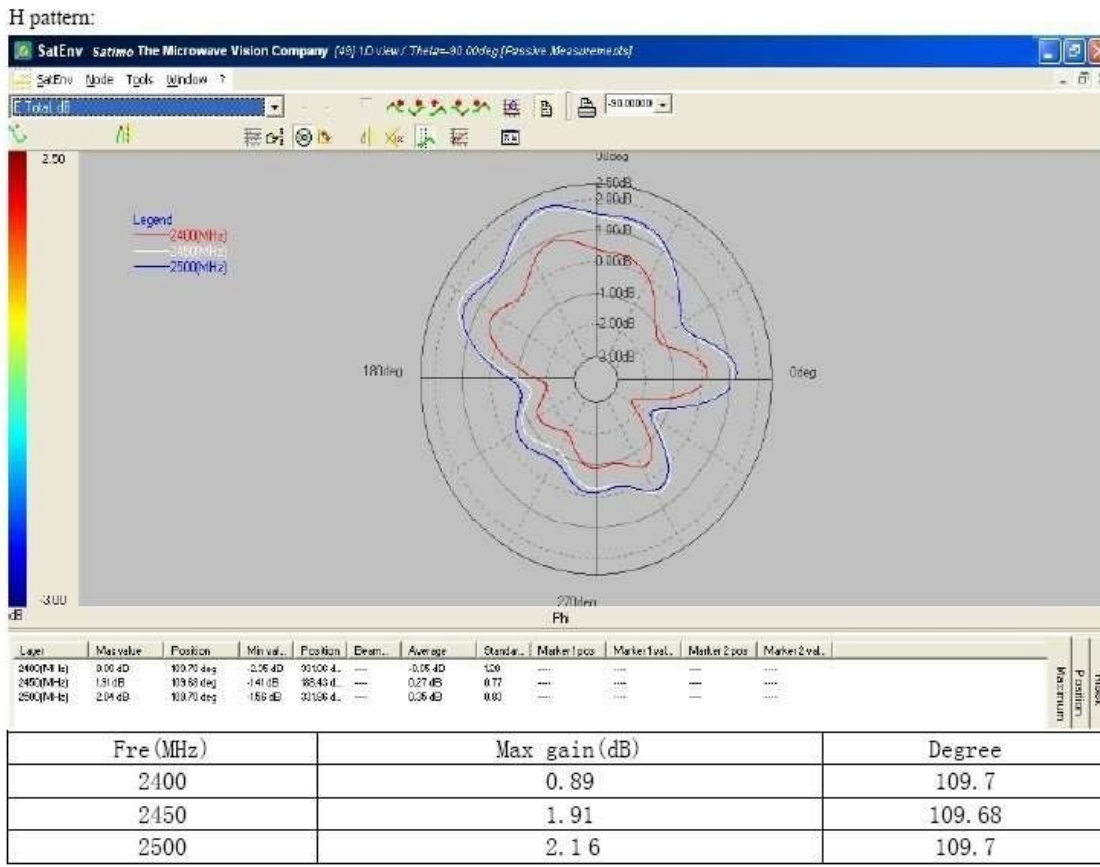
4.2 The antenna is in the S11 parameter of the simulated environment



4.3 Gain and Efficiency

Frequency (MHz)	2400.0	2410.0	2420.0	2430.0	2440.0	2450.0	2460.0	2470.0	2480.0	2490.0	2500.0
Gain (dBi)	0.89	1.84	0.72	1.93	2.03	1.91	1.22	1.06	1.20	0.54	2.16
Efficiency (%)	39.72	48.97	37.05	46.90	47.50	46.55	40.41	39.70	41.15	35.36	50.68

5. directional diagram



6. ANT Size

