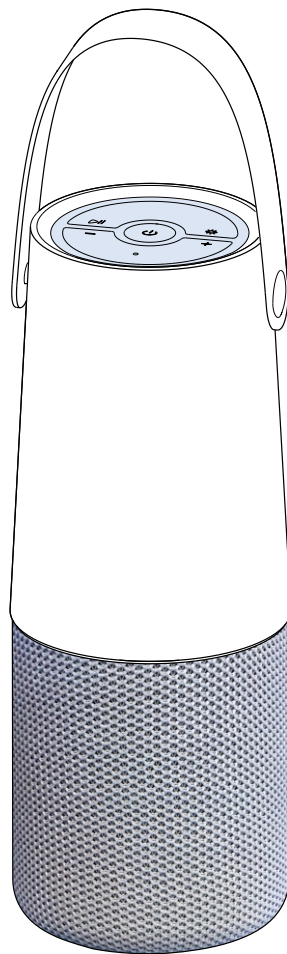


User Manual

ROMOSS® | Romio Wireless Speaker | BS02



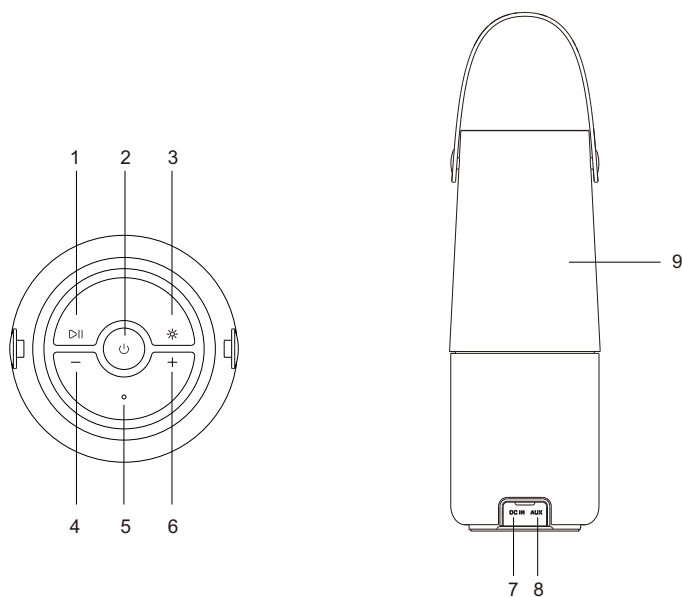
www.romoss.com

What's Included

Package list: Romio wireless speaker x1, USB charging cable x1, Audio cable x 1 , User manual x1 , Warranty card x 1,



At a Glance

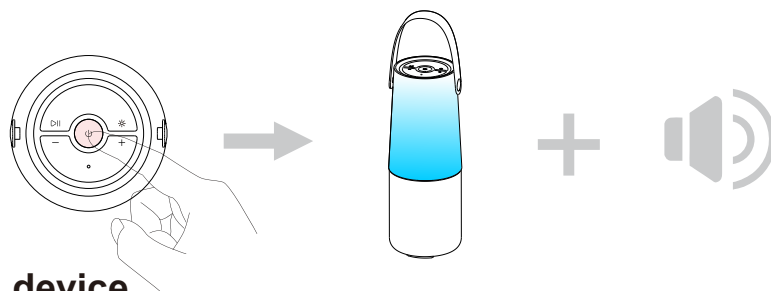


1	Play/hand free/Pause button
2	Power ON/OFF button
3	LED control button
4	Volume down/Previous track
5	Microphone
6	Volume up/Next track
7	Micro USB jack
8	AUX in jack
9	Romanic light

Using Your Romio

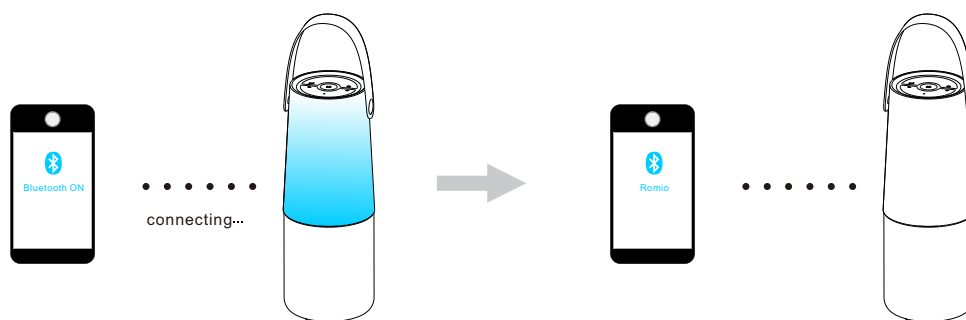
1. Turn ON/OFF

Hold Power ON/OFF button to turn on the speaker, the user will hear audio prompt and blue LED indicator blinks.



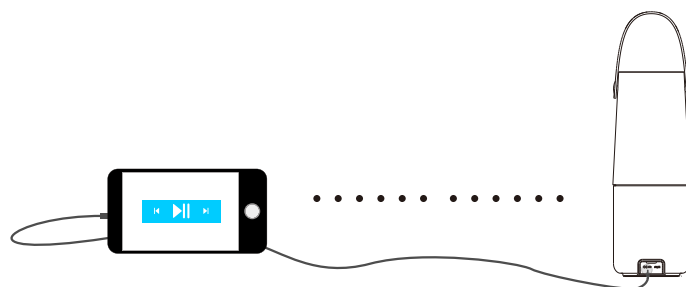
2. Pair with device

After the speaker is turned ON, the blue LED indicator blinks, the speaker enters pair mode and the user can find it on the Bluetooth device. After the speaker is connected to the device, the LED indicator become OFF.



3. Connection via AUX IN

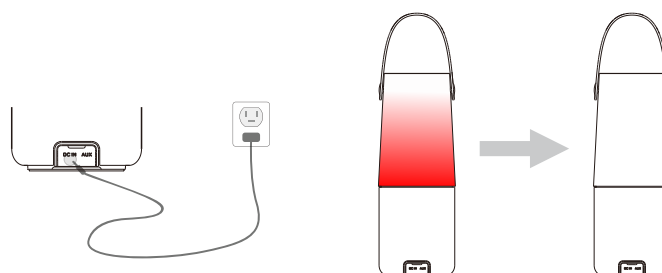
Connect the speaker to device via audio cable. The speaker is in AUX mode, control audio playback via connected device.



4. Charging your Romio

Use the included USB cable to charge your Romio and make sure it is fully charged before first use.

Connect charging cable to micro USB jack on the speaker, LED indicator becomes red color when charging and the LED indicator is off after it is fully charged.



5. Controls

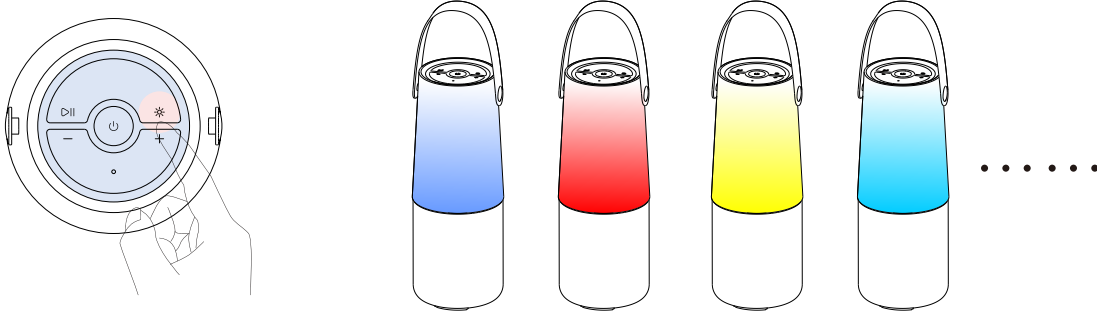
• Play/ Pause/ Hand free

Press Play/ Pause button to play or pause the streaming music

Press the button to answer/end an incoming call.

• Romantic light ON/OFF & Color switch

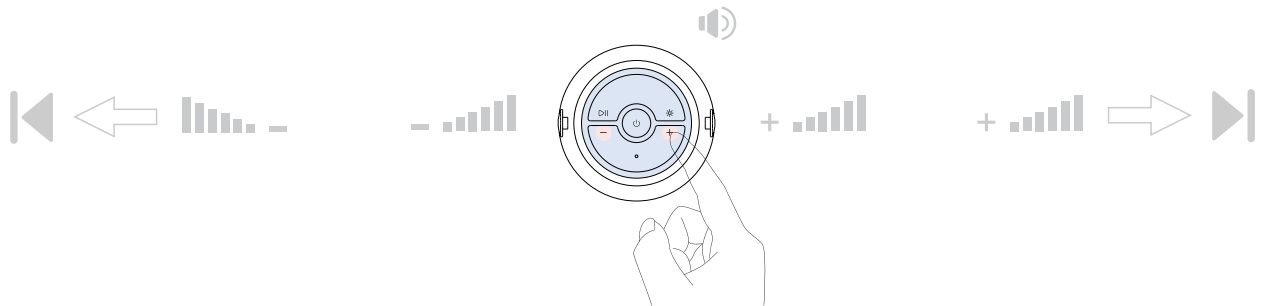
Press LED control button to turn ON the romantic light and switch the color of the romantic light, hold it to turn off the romantic light.



• Volume Down/Previous track

When the speaker is in Bluetooth mode, short press **Volume -** button to decrease the volume level;

Hold **Volume -** button back to previous track.



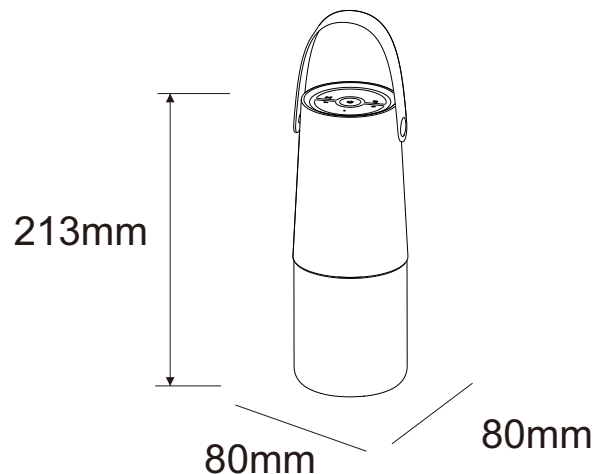
• Volume Up/Next Son

When the speaker is in Bluetooth mode, short press **Volume +** button to increase the volume level;

Hold **Volume +** button to enter to next track.

Specifications

- Input: 5V/1A
- Audio output: 3W x 2 (at THD10%)
- Charging time: 3 hours
- Play time : 10 hours (@75% volume output, romantic light is OFF)
- Size: W80mm X D80mm X H213mm
- Weight: 420g
- Range: < 15m (open area)



Maintenance

To Store

You may leave the unit on display, or you can store it in its box in a cool, dry place.

To Clean

Use only a soft dry cloth to clean the enclosure of the unit. NEVER use liquids or abrasive cleaner to clean.

CAUTION

- Before using the Romio ,please carefully read the user manual. Strictly follow the steps instructed and heed all warnings below.
- Do not use the device near water. Clean it only with a dry and soft fabric
- Do not use the device near any heat sources such as the radiators, the stove, or other devices that produce heat
- No naked flame sources, such as light candles, should be placed on the apparatus.
- Only use accessories provided or specified by the manufacturer.
- Unplug the device during thunder storms or when you expect to leave it idle for a long period.
- Do not expose the device to water dripping or splashing
- Do not place the device near hazardous chemicals or open flames, including candles.
- The ventilation should not be impeded by covering the ventilation openings with items such as newspapers, table-cloths, curtains, etc.

FCC CAUTION

This equipment has been tested and found to comply with the limits for a Class B digital device, pursuant to part 15 of the FCC Rules. These limits are designed to provide reasonable protection against harmful interference in a residential installation. This equipment generates, uses and can radiate radio frequency energy and, if not installed and used in accordance with the instructions, may cause harmful interference to radio communications. However, there is no guarantee that interference will not occur in a particular installation. If this equipment does cause harmful interference to radio or television reception, which can be determined by turning the equipment off and on, the user is encouraged to try to correct the interference by one or more of the following measures:

- Reorient or relocate the receiving antenna.
- Increase the separation between the equipment and receiver.
- Connect the equipment into an outlet on a circuit different from that to which the receiver is connected.
- Consult the dealer or an experienced radio/TV technician for help.

Caution: Any changes or modifications to this device not explicitly approved by manufacturer could void your authority to operate this equipment.

This device complies with part 15 of the FCC Rules. Operation is subject to the following two conditions: (1) This device may not cause harmful interference, and (2) this device must accept any interference received, including interference that may cause undesired operation.

The device has been evaluated to meet general RF exposure requirement. The device can be used in portable exposure condition without restriction.

IC CAUTION

This device complies with Industry Canada licence-exempt RSS standard(s). Operation is subject to the following two conditions: (1) this device may not cause interference, and (2) this device must accept any interference, including interference that may cause undesired operation of the device.

Le présent appareil est conforme aux CNR d'Industrie Canada applicables aux appareils radio exempts de licence. L'exploitation est autorisée aux deux conditions suivantes : (1) l'appareil ne doit pas produire de brouillage, et (2) l'utilisateur de l'appareil doit accepter tout brouillage radioélectrique subi, même si le brouillage est susceptible d'en compromettre le fonctionnement.



If at any time in the future you should need to dispose of this product please note that Waste electrical products should not be disposed of with household waste. Please recycle where facilities exist. Check with your Local Authority or retailer for recycling advice. (Waste Electrical and Electronic Equipment Directive)

Customer Service

- 12-month limited warranty
- Customer Support: cs@romoss.com