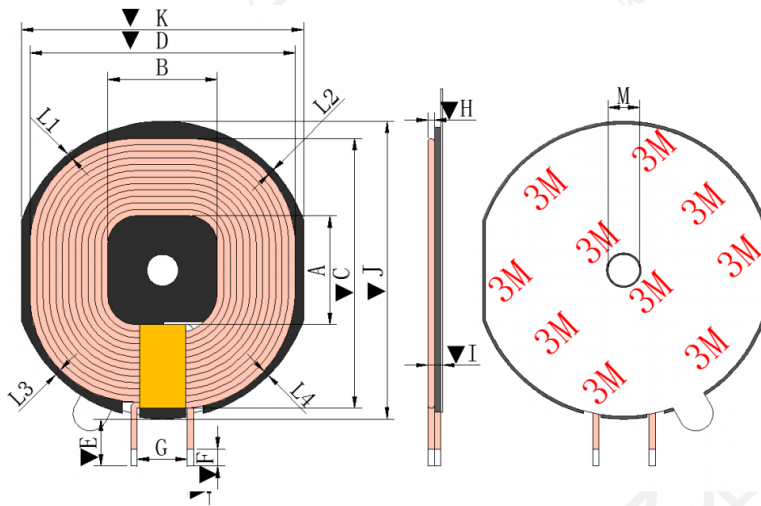


Antenna Specifications

Design Specifications	Typical
Antenna Type*	Primary Coil
Working Frequency	110K-148KHz
Antenna Gain	/
Antenna Efficiency	/
VSWR	/
Impedance	60 m ohm
Overall Dimensions*	49mm*52mm*3.35mm

一、尺寸 DIMENSION:(mm)



A	19±0.5
B	19±0.5
C	45.5±1.0
D	44.5±1.0
E	3.2±1
F	2±1
G	10±1.5
H	1.2±0.2
I	3.35 Max (不含离型纸)
J	52+0.6/-1
K	49±0.5
L1/L2/L3/L4	1.5 min
M	5.5 ref

注: