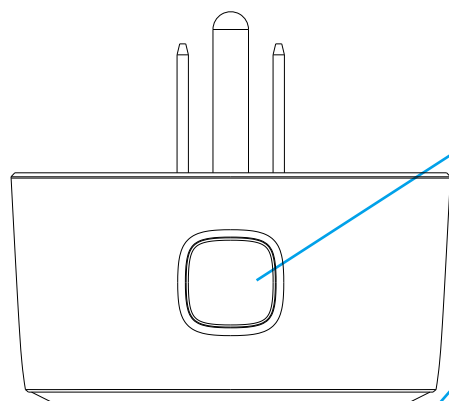




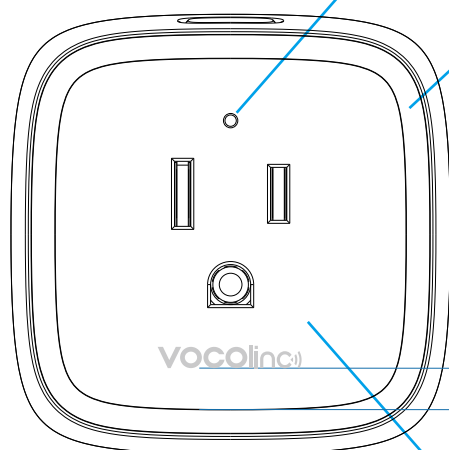
FONERIC 福智软件



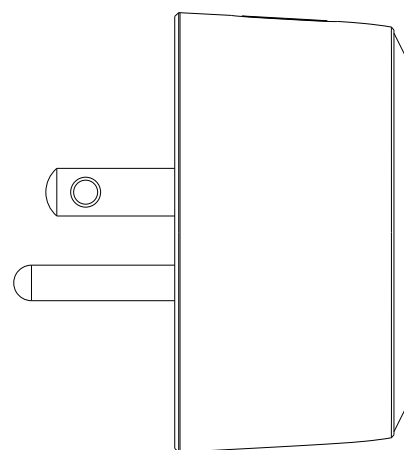
Power Keys: Flame retardant ABS, White material, The surface texture
电源键: 阻燃ABS, 白色素材表面晒纹

Indicator light: Flame retardant ABS, Transparent
指示灯: 阻燃ABS, 透明

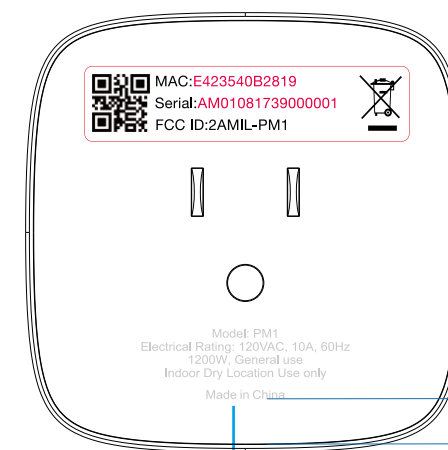
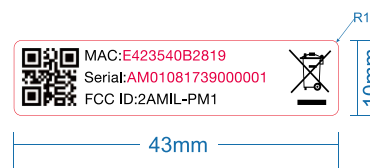
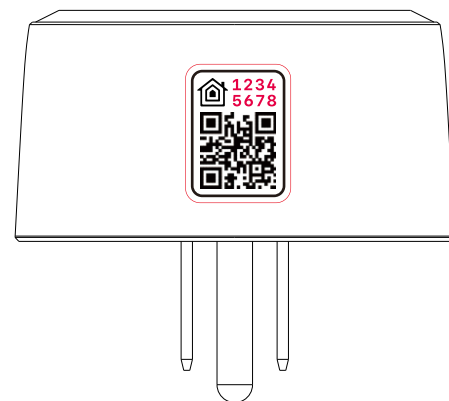
Decoration: Flame retardant ABS, Surface translucent mist
装饰件: 阻燃ABS, 半透明雾面



5.5 mm

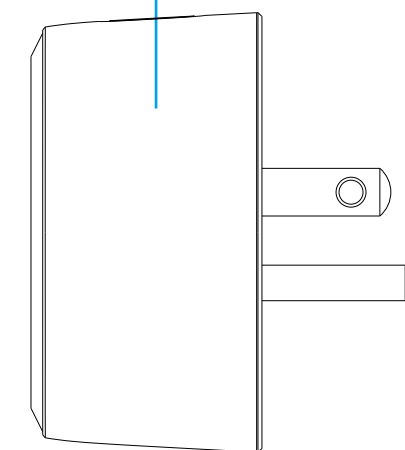


Front housing: Flame retardant ABS, White material,
The surface texture
前壳: 阻燃ABS, 白色素材表面晒纹



6.0 mm

The shell: Flame retardant ABS, White material,
The surface texture
中框: 阻燃ABS, 白色素材表面晒纹



Rear housing: Flame retardant ABS, White material,
The surface texture
后壳: 阻燃ABS, 白色素材表面晒纹