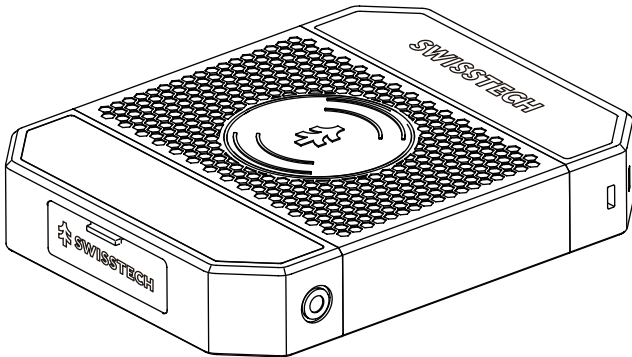




SWISS TECH



NOTIZBUCH

40000mAh

Ultimate Plus Power Bank

SWISSTECH

ULTIMATE PLUS POWER BANK NOTIZBUCH

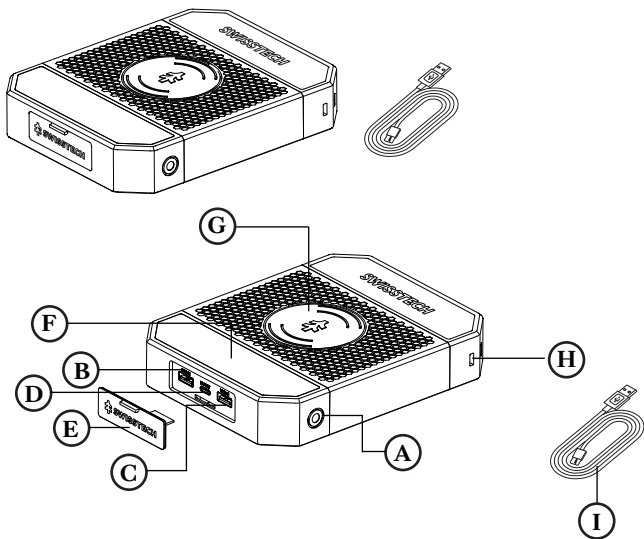
Swiss Tech 40000mAh 65W Wireless Camping Power Bank

The Swiss Tech Notizbuch is the ultimate plus mobile powerhouse, loaded with features that ensure you're prepared for any event - planned or unplanned. Within this power bank's rugged, durable, and weatherproof construction lies 40,000mAh, multiple charging options, and a 7 inch leather lanyard. Input/output ports include 2 USB-A, a USB-C and a wireless charging pad on one side to keep any device going with at most 65w power supply. A digital indicator gives you easy, accurate power percentage to stay worry-free. Keep this Swiss Tech 40000mAh 65W Camping Wireless Power Bank by your side to power through any situation.

Swiss Tech 40K 65W Camping Power Bank Vendor Stock Number: 33658

Questions, problems, or missing parts?
Before returning to the store, contact
GreatStar Customer Service
9AM-4PM CST, M-F
Call: 479-802-3580 or Email: Help@greatstar-us.com

USB wall adapter not included.



WARNING

- Read all instructions before using this power bank.
- To reduce the risk of injury, close supervision is necessary when the power bank is used near children.
- Better not expose power bank to rain or snow, because this power bank is IP54 weather proof only.
- Protect the power bank from potentially dangerous locations such as places with heat source, extreme temperatures, direct sunlight, strong jolts, explosives or flammable gases, vapors and solvents.
- Exposure to fire or temperature above 212 ° F (100 ° C) may cause explosion.
- This power bank can be operated in open-air conditions. It should not be operated in an enclosed, unventilated space such as a closed car, carrying bag, pocket, purse or bedding. Failure to follow these instructions may damage the power bank by overheating. When working in wireless charging mode, the mobile power supply cannot be on the wearer's body.

- Do not place anything on top of the power bank during or after each use to prevent potential fire.
- Use of power supply or charger not qualified may result in a risk of fire or injury to persons.
- Overload outputs above rating may result in a risk of fire or injury to persons.
- Do not use the power bank that is damaged or modified, which may exhibit unpredictable behavior resulting in fire, explosion or risk of injury.
- Never modify the power bank or any of its parts as this may result in serious personal injury.
- Do not disassemble the power bank. Take it to a qualified service person when service or repair is required.
- Store this power bank in room temperatures below 86 ° F (30 ° C).
- Prevent the power bank from undergoing any mechanical stress.
- Do not store or transport the power bank with metal objects.
- Be cautious of drops, bumps, abrasions, or other impacts to this power bank. If there is any damage to the power bank such as dents, punctures, tears, deformities, or corrosion due to any cause, discontinue use it and Contact Manufacturer or dispose of it in an appropriate manner at your local battery-recycling center.
- Keep the power bank clean and free from oil and grease.
- Clean only with dry cloth; avoid cleaning the power bank with rough or chemical objects.
- Please handle the power bank carefully. Jolts and impacts can damage the power bank.
- Also observe the safety and operating instructions of any other devices connected to the power bank.
- Never use the power bank immediately after it has been brought from a cold room into a warm one.
- Allow the power bank to warm up to room temperature before connecting and using it. This may take a few hours.

CONTENT

PART	DESCRIPTION	QUANTITY
A	Power ON/OFF Button	1
B	Output Charging Port (USB-A1)	1
C	Output Charging Port (USB-A2)	1
D	Input/output Charging Port (USB-C)	1
E	Silicone Cover	1
F	Digital Indicator Screen	1
G	Wireless Charging Pad	1
H	Lanyard Hole	1
I	Charging Cable	1

- Condensation could destroy the power bank.
- Never leave the power bank unattended during use.
- The power bank is not a toy. Keep it out of the reach of children and pets.
- If this power bank is accessible to or may be used by a minor, purchasing adult agrees to be solely responsible for providing supervision, instruction, and warnings. Purchaser agrees to defend, indemnify, and hold Manufacturer harmless for any claims or damages arising from unintended use or misuse by a minor.
- All power banks have gone through a thorough quality assurance inspection. If you find that your power bank is excessively hot, is emitting odor, is deformed, abraded, cut, or is experiencing or demonstrating an abnormal phenomenon, immediately stop all power bank use and contact Manufacturer.
- If your power bank will not be used for an extended period of time, please take the following steps once every three months to ensure proper function:
 - Charge the power bank
 - Discharge the power bank by using it to supply power to a mobile device.
 - Recharge the power bank to full
 - Store the power bank in a cool, dry place to avoid short-circuiting and damaging the power bank.
- If it is no longer possible to operate the power bank safely, stop using it and prevent further or accidental use.
- Never dispose of batteries in the garbage. Disposal of batteries in the garbage is unlawful under state and federal environmental laws and regulations. Always take used batteries to your local battery - recycling center.
- Make sure not to squeeze, bend or in any way damage the cable.

SAFETY INFORMATION

- Be sure to charge the power bank in room temperatures from 32 ° F to 113 ° F (0 ° C to 45 ° C)
- Be sure to use the power bank to charge other devices in room temperature from 14 ° F to 140 ° F (-10 ° C to 60 ° C)
- The power bank would stop working while be out of the safe temperature range due to protection setting, and the indicator light flashes quickly until it returns to normal condition.
- Never use this power bank around flammable liquids such as gasoline, or in potentially dangerous locations such as places with heat source, extreme temperatures, direct sunlight, strong jolts, explosives or flammable gases, vapors and solvents.
- Do not operate the power bank in an enclosed, unventilated space such as a closed car, carrying bag, pocket, purse or bedding.
- If there is any damage to the power bank such as dents, punctures, tears, deformities, or

corrosion due to any cause, discontinue use it.

- To avoid electrical shock, do not put power bank in water or any other liquids.
- Do not store this power bank where it can easily fall into tub/sink/pool of water.
- Safe operation can no longer be guaranteed if the power bank:
 - is visibly damaged,
 - is no longer working properly,
 - has been stored for extended periods in poor conditions,
 - has been subjected to any serious transport - related stress.
- If it is no longer possible to operate the power bank safely, stop using it and prevent further or accidental use.
- Do not operate this power bank after it has malfunctioned.
- Incorrect reassembly may result in a risk of fire or injury to persons.
- Do not use the power bank in excess of its output rating, and always make sure the power source conforms to the rating on this power bank. Hence, it must always be used in accordance with all electrical and safety codes and ordinances, including the most recent National Electric Code (NEC) and with the Occupational Safety and Health Act (OSHA) Volume 1 on General Industry Standards and interpretations.
- Do not use or permit use of the power bank in beds or sleeping bags as this fixture can melt fabric and may result in burn injury.

FCC STATEMENT

This equipment has been tested and found to comply with the limits for a Class B digital device, pursuant to Part 15 of the FCC Rules. These limits are designed to provide reasonable protection against harmful interference in a residential installation. This equipment generates, uses, and can radiate radio frequency energy, and if not installed and used in accordance with the instructions, may cause harmful interference to radio communications. However, there is no guarantee that interference will not occur in a particular installation. If this equipment does cause harmful interference to radio or television reception, which can be determined by turning the equipment off and on, the user is encouraged to try to correct the interference by one or more of the following measures:

- Reorient or relocate the receiving antenna.
- Increase the separation between the equipment and receiver.
- Connect the equipment into an outlet on a circuit different from that to which the receiver is connected.
- Consult the dealer or an experience radio/TV technician for help.
- The device has been evaluated to meet general RF exposure requirement, This equipment should be installed and operated with a minimum distance of 20 cm between the radiator and your body.

This device complies with part 15 of the FCC Rules. Operation is subject to the following two conditions:

- (1) This device may not cause harmful interference, and
- (2) This device must accept any interference received, including interference that may cause undesired operation.

CAUTION

Changes or modifications not expressly approved by the party responsible for compliance could void the user's authority to operate the equipment.

ELECTRICAL INFORMATION

- The charging cable is compatible with a qualified USB wall adapter.
- To ensure proper charging, use the enclosed USB charging cable.
- To use a qualified PD cable and PD wall adapter can enlarge the output and input efficiency.
- Pull by plug rather than cable when disconnecting power bank to avoid damage to electric plug and cable.

SPECIFICATIONS

Rated Capacity (Lithium-ion Battery)	4000mAh	Power bank Length	7.09-inches
Actual Capacity	2600mAh	Power bank Width	5.51-inches
Power bank Weight	1000g	Power bank Thickness	1.26-inches
Charging Cable	40-inches	Impact Resistance	3-feet

INPUT	USB-C	5.0V=3.0A, 9.0V=3.0A, 12.0V=3.0A, 15.0V=3.0A, 20.0V=3.25A
OUTPUT	USB-C	5.0V=3.0A, 9.0V=3.0A, 12.0V=3.0A, 15.0V=3.0A, 20.0V=3.25A
	USB-A1	5.0V=3.0A, 9.0V=3.0A, 12.0V=3.0A
	USB-A2	5.0V=3.0A, 9.0V=3.0A, 12.0V=3.0A
	TX Wireless	5.0V=1.0A(5.0W), 7.5V=1.0A(7.5W), 9.0V=1.1A(10W)
	USB-C USB-A1 USB-A2	5.0V=4.5A

OPERATING POWER BANK

- CHARGING THE POWER BANK BY CABLE

- Step 1:
Plug the cable (USB-C) to the power bank
- Step 2:
Plug the cable (USB-A) to the computer or wall charger.
- Step 3:
Digital indicator shows the actual power capacity by percentage, it flashes when charging and stops when fully charged

POWER	USB INPUT	ESTIMATED CHARGE TIME
65W	20.0V=3.25A	3
45W	15.0V=3.0A	5
36W	12.0V=3.0A	6
27W	9.0V=3.0A	7.5
15W	5.0V=3.0A	14

-CHARGING OTHER DEVICES BY CABLE

- Step 1:
Plug the cable (USB-A) to the power bank
- Step 2:
Plug the cable (USB-C) to the devices
- Step 3:
Press the Power ON/OFF Button to start charging
- Step 4:
Digital indicator shows the left power capacity by percentage.
(You can also use your own cable with both USB-C ends to charge your devices.)

POWER	USB INPUT	ESTIMATED CHARGE TIME
65W	20.0V=3.25A	2
45W	15.0V=3.0A	3
36W	12.0V=3.0A	4
27W	9.0V=3.0A	5
15W	5.0V=3.0A	9

-CHARGING DEVICES BY WIRELESS PAD

- Be sure the device to be charged is with wireless charging function
- Press the Power ON/OFF Button to show the actual left power capacity and start charging
- Put the device onto the power bank centered to match the wireless charging pad
- Wireless charging indicator signal on screen is red when charging
- Indicator signal flashes red when the charging is with problem
- ◆ Be sure the device is matching to pad correctly
- ◆ Be sure there is no metal stuff attached to the pad
- ◆ Be sure the power bank is with enough capacity to do output, press the Power ON/OFF Button to active the digital indicator for check again.

POWER	WIRELESS OUTPUT	ESTIMATED CHARGE TIME
10W	TX9.0V=1.1A	9h
7.5W	TX7.5V=1.0A	12h
5.0W	TX5.0V=1.0A	17.5h

TROUBLESHOOTING

If the power bank does not work, check the following:

- Fully charge the power bank before use.
- Ensure the cable is properly plugged into the power source to charge the battery.
- Be sure to press Power ON/OFF Button to start charging.



SWISS TECH