

FCC STATEMENT

This equipment has been tested and found to comply with the limits for a Class B digital device, pursuant to Part 15 of the FCC Rules. These limits are designed to provide reasonable protection against harmful interference in a residential installation. This equipment generates, uses, and can radiate radio frequency energy, and if not installed and used in accordance with the instructions, may cause harmful interference to radio communications. However, there is no guarantee that interference will not occur in a particular installation. If this equipment does cause harmful interference to radio or television reception, which can be determined by turning the equipment off and on, the user is encouraged to try to correct the interference by one or more of the following measures:

- Reorient or relocate the receiving antenna.
- Increase the separation between the equipment and receiver.
- Connect the equipment into an outlet on a circuit different from that to which the receiver is connected.
- Consult the dealer or an experienced radio/TV technician for help.

This device complies with part 15 of the FCC Rules. Operation is subject to the following two conditions:

- This device may not cause harmful interference.
- This device must accept any interference received, including interference that may cause undesired operation.

FCC RF exposure statement: This equipment complies with FCC Radiation exposure limits set forth for an uncontrolled environment. This equipment should be installed and operated with a minimum distance of 20cm between the product and your body.

CAUTION

Changes or modifications not expressly approved by the party responsible for compliance could void the user's authority to operate the equipment.

ELECTRICAL INFORMATION

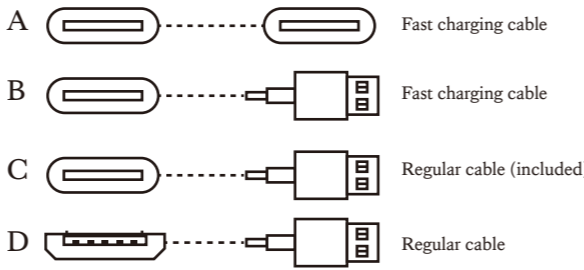
- The charging cable is compatible with a qualified USB wall adapter.
- To ensure proper charging, use the enclosed USB charging cable.
- To use a qualified PD cable and PD wall adapter can enlarge the output and input efficiency.
- Pull by plug rather than cable when disconnecting power bank to avoid damage to electric plug and cable.

SPECIFICATIONS			
Rated Capacity (Lithium-ion Battery)	20000mAh	Power bank Length	6.3-inches
Actual Capacity	11000mAh	Power bank Width	3.4-inches
Power bank Weight	515g	Power bank Thickness	1.2-inches
Charging Cable	40-inches	Impact Resistance	3-feet
Flashlight modes	3 Modes: Spotlight - Flood light - Dual light		
Brightness / beam	50 lumens/10m – 50 lumens/5m – 100 lumens/10m		

INPUT	USB-C	5.0V \rightleftharpoons 3.0A, 9.0V \rightleftharpoons 2.0A, 12.0V \rightleftharpoons 1.5A
	Micro USB	5.0V \rightleftharpoons 2.0A
	Solar Panel	6.0V \rightleftharpoons 0.22A
OUTPUT	USB-C	5.0V \rightleftharpoons 3.0A, 9.0V \rightleftharpoons 2.0A, 12.0V \rightleftharpoons 1.5A
	USB-A1	5.0V \rightleftharpoons 3.0A, 9.0V \rightleftharpoons 2.0A, 12.0V \rightleftharpoons 1.5A, 5.0V \rightleftharpoons 4.5A, 4.5V \rightleftharpoons 5.0A
	USB-A2	5.0V \rightleftharpoons 3.0A, 9.0V \rightleftharpoons 2.0A, 12.0V \rightleftharpoons 1.5A
	TX Wireless	5.0V \rightleftharpoons 1.0A(5.0W)
	USB-C & USB-A	5.0V \rightleftharpoons 3.0A (Max)
	USB-C & TX(5W)	
	USB-A & TX(5W)	
USB-C & USB-A & TX(5W)		

OPERATING POWER BANK

- CHARGING THE POWER BANK BY CABLE



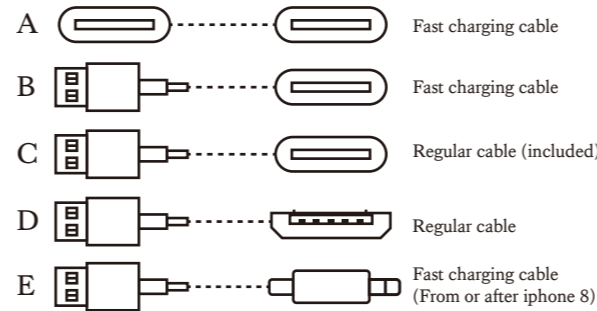
- Step 1:
A/B/C: Plug the cable (USB-C) to the power bank
D: Plug the cable (Micro USB) to the power bank
- Step 2:
A: Plug the cable (USB-C) to the computer or wall charger.
B/C/D: Plug the cable (USB-C) to the computer or wall charger.
- Step 3:
Digital indicator shows the actual power capacity by percentage, it flashes when charging and stops when fully charged
A/B: Power bank fully charge time: 6 to 8 hours.
C/D: Power bank fully charge time: 9 to 11 hours.

▲ KIND NOTE: all above is based on adaptor with a larger rated electric current!

- CHARGING THE POWER BANK BY SOLAR PAD

- Put the power bank in an open air with abundant sunlight (avoid high temperature) or strong light environment
- Solar charging indicator light is green during charging
- Solar pad Input: 6V \rightleftharpoons 0.22A
- ▲ KIND NOTE: Solar charging effect will be subject to sunlight intensity and local weather. It's only recommended for EMERGENCY use, please DO NOT take it as primary power resource. For daily use, please use qualified or provided charging cable to charge the power bank.

- CHARGING OTHER DEVICES BY CABLE



- Step 1:
A: Plug the cable (USB-C) to the power bank
B/C/D/E: Plug the cable (USB-A) to the power bank USB A1/A2
- Step 2:
A/B/C: Plug the cable (USB-C) to the devices
D: Plug the cable (Micro USB) to the devices.
E: Plug the cable (Lightning) to the devices.
- Step 3:
Digital indicator shows the left actual power capacity by percentage.
A: Type C Output: 5.0V \rightleftharpoons 3.0A, 9.0V \rightleftharpoons 2.0A, 12.0V \rightleftharpoons 1.5A
B/E: USB A1 Output: 5.0V \rightleftharpoons 3.0A, 9.0V \rightleftharpoons 2.0A, 12.0V \rightleftharpoons 1.5A, 5.0V \rightleftharpoons 4.5A, 4.5V \rightleftharpoons 5.0A
USB A2 Output: 5.0V \rightleftharpoons 3.0A, 9.0V \rightleftharpoons 2.0A, 12.0V \rightleftharpoons 1.5A
C/D: USB A1/A2 Output: 5.0V \rightleftharpoons 2.0A
- Step 4:
Double press the Power & Mode Shift Button to stop charging.

- CHARGING DEVICES BY WIRELESS PAD

- Be sure the device to be charged is with wireless charging function
- Press the Power & Mode Shift Button to show the actual left power capacity and start charging
- Put the device onto the power bank centered to match the wireless charging pad
- Wireless charging indicator light on the corner and the relative signal on digital indicator screen are both blue when charging
- Indicator light flashes blue on the corner, and the relative signal on digital indicator screen flashes red when the charging is with problem

- ◇ Be sure the device is matching to pad correctly
- ◇ Be sure there is no metal stuff attached to the pad
- ◇ Be sure the power bank is with enough capacity to do output, press the power and mode shift button to active the digital indicator for check again.
- TX Wireless Output: 5.0V \rightleftharpoons 1.0A (5.0W)
- Double press the Power & Mode Shift Button to stop charging.

- The phone may only be charged while it is laying on the table. Other use cases, such as charging it while wearing it on the body/hold on hand, are not allowed.

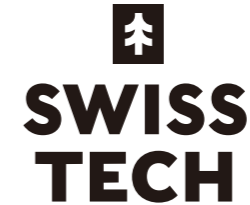
OPERATING THE FLASHLIGHT

- Press the power and mode shift button and hold 2 seconds to turn on the flashlight
- Press the power and mode shift button to shift modes among 3 modes: Spotlight - Flood light - Dual light when the flashlight on
- Press the power and mode shift button and hold 2 seconds at any mode to turn off the flashlight

TROUBLESHOOTING

If the power bank does not work, check the following:

- Fully charge the power bank before use.
- Ensure the cable is properly plugged into the power bank for charging.
- The battery may be depleted, allow the power bank to charge for at least 6-8 hours.



NOTE:

DUAL POWER
20K
mAh



SO. MUCH. POWER

LEISTUNG

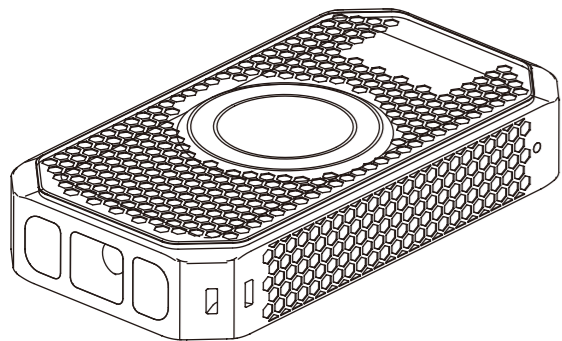
20000mAh Wireless Solar Power Bank

The Swiss Tech Leistung is the ultimate portable powerhouse, loaded with features that ensure you're prepared for any event - planned or unplanned. Within this power bank's rugged, durable, and weatherproof construction lies 20,000mAh, multiple charging options, and a powerful LED light. Input/output ports include 2 USB-A, a USB-C and a micro USB with fast-charging 18W of power to keep any device going. A digital indicator gives you easy, accurate power percentage to stay worry-free. Wirelessly charge your phone on one side and on the other side, top off Leistung's power bank in the sunshine through solar power. Keep this Swiss Tech 20000mAh Wireless Charge Solar Power Bank with Flashlight by your side to power through any situation.

Swiss Tech 20000mAh Wireless Solar Power Bank
Vendor Stock Number: 31655

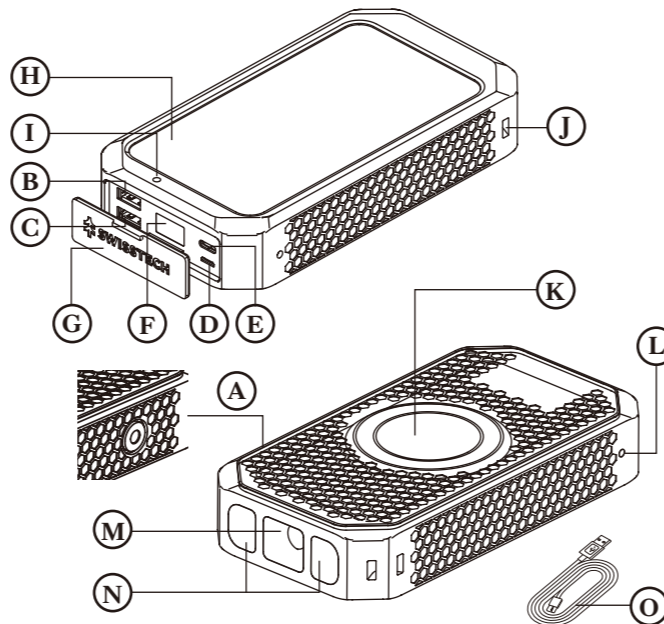
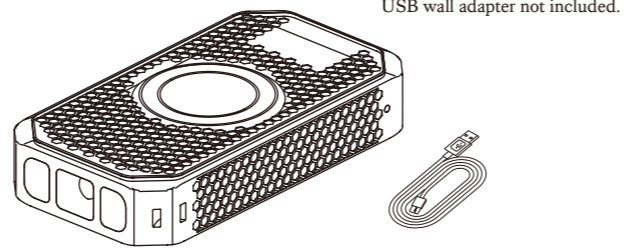
Questions, problems, or missing parts?
Before returning to the store, contact
GreatStar Customer Service
9AM-4PM CST, M-F
Call: 479-802-3580 or Email: Help@greatstar-us.com

SWISS
TECH



LEISTUNG
Solar Power Bank + Wireless Charger
The ultimate portable powerhouse.

USB wall adapter not included.



CONTENT		
PART	DESCRIPTION	QUANTITY
A	Power & Mode Shift Button	1
B	Output Charging Port (USB-A1)	1
C	Output Charging Port (USB-A2)	1
D	Input Charging Port (Micro USB)	1
E	Input/output Charging Port (USB-C)	1
F	Digital Indicator	1
G	Silicone Cover	1
H	Solar Charging Pad	1
I	Solar Charging Indicator Light	1
J	Lanyard Hole	1
K	Wireless Charging Pad	1
L	Wireless Charging Indicator Light	1
M	LED Spot Light	1
N	LED Flood Lights	2
O	Charging Cable	1

WARNING

- Read all instructions before using this power bank.
- To reduce the risk of injury, close supervision is necessary when the power bank is used near children.
- Better not expose power bank to rain or snow, because this power bank is IP54 weather proof only.
- Protect the power bank from potentially dangerous locations such as places with heat source, extreme temperatures, direct sunlight, strong jolts, explosives or flammable gases, vapors and solvents.
- Exposure to fire or temperature above 212°F (100°C) may cause explosion.
- This power bank can be operated in open-air conditions. It should not be operated in an enclosed, unventilated space such as a closed car, carrying bag, pocket, purse or bedding. Failure to follow these instructions may damage the power bank by overheating.
- Do not place anything on top of the power bank during or after each use to prevent potential fire.
- Use of power supply or charger not qualified may result in a risk of fire or injury to persons.
- Overload outputs above rating may result in a risk of fire or injury to persons.

- Do not use the power bank that is damaged or modified, which may exhibit unpredictable behavior resulting in fire, explosion or risk of injury.
 - Never modify the power bank or any of its parts as this may result in serious personal injury.
 - Do not disassemble the power bank. Take it to a qualified service person when service or repair is required.
 - Store this power bank in room temperatures below 86°F (30°C).
 - Prevent the power bank from undergoing any mechanical stress.
 - Do not store or transport the power bank with metal objects.
 - Be cautious of drops, bumps, abrasions, or other impacts to this power bank. If there is any damage to the power bank such as dents, punctures, tears, deformities, or corrosion due to any cause, discontinue use it and Contact Manufacturer or dispose of it in an appropriate manner at your local battery-recycling center.
 - Keep the power bank clean and free from oil and grease.
 - Clean only with dry cloth; avoid cleaning the power bank with rough or chemical objects.
 - Please handle the power bank carefully. Jolts and impacts can damage the power bank.
 - Also observe the safety and operating instructions of any other devices connected to the power bank.
 - Never use the power bank immediately after it has been brought from a cold room into a warm one.
 - Allow the power bank to warm up to room temperature before connecting and using it. This may take a few hours.
 - Condensation could destroy the power bank.
 - Never leave the power bank unattended during use.
 - The power bank is not a toy. Keep it out of the reach of children and pets.
 - If this power bank is accessible to or may be used by a minor, purchasing adult agrees to be solely responsible for providing supervision, instruction, and warnings. Purchaser agrees to defend, indemnify, and hold Manufacturer harmless for any claims or damages arising from unintended use or misuse by a minor.
- All power banks have gone through a thorough quality assurance inspection. If you find that your power bank is excessively hot, is emitting odor, is deformed, abraded, cut, or is experiencing or demonstrating an abnormal phenomenon, immediately stop all power bank use and contact Manufacturer.
- Switch off the power bank by double press when not in use.
- If your power bank will not be used for an extended period of time, please take the following steps once every three months to ensure proper function:
- Charge the power bank
 - Discharge the power bank by using it to supply power to a mobile device.
 - Recharge the power bank for at least 6-8 hours
 - Store the power bank in a cool, dry place to avoid short-circuiting and damaging the power bank.
- If it is no longer possible to operate the power bank safely, stop using it and prevent

- further or accidental use.
- Never dispose of batteries in the garbage. Disposal of batteries in the garbage is unlawful under state and federal environmental laws and regulations. Always take used batteries to your local battery - recycling center.
 - Make sure not to squeeze, bend or in any way damage the cable.

SAFETY INFORMATION

- Be sure to charge the power bank in room temperatures from 32°F to 113°F (0°C to 45°C)
- Be sure to use the power bank to charge other devices in room temperature from 14°F to 140°F (-10°C to 60°C)
- The power bank would stop working while be out of the safe temperature range due to protection setting, and the indicator light flashes quickly until it returns to normal indicator light flashes quickly until it returns to normal condition.
- Never use this power bank around flammable liquids such as gasoline, or in potentially dangerous locations such as places with heat source, extreme temperatures, direct sunlight, strong jolts, explosives or flammable gases, vapors and solvents.
- Do not operate the power bank in an enclosed, unventilated space such as a closed car, carrying bag, pocket, purse or bedding.
- If there is any damage to the power bank such as dents, punctures, tears, deformities, or corrosion due to any cause, discontinue use it.
- To avoid electrical shock, do not put power bank in water or any other liquids.
- Do not store this power bank where it can easily fall into tub/sink/pool of water.
- Safe operation can no longer be guaranteed if the power bank:
 - is visibly damaged,
 - is no longer working properly,
 - has been stored for extended periods in poor conditions,
 - has been subjected to any serious transport - related stress.
- If it is no longer possible to operate the power bank safely, stop using it and prevent further or accidental use.
- Do not operate this power bank after it has malfunctioned.
- Incorrect reassembly may result in a risk of fire or injury to persons.
- Do not use the power bank in excess of its output rating, and always make sure the power source conforms to the rating on this power bank. Hence, it must always be used in accordance with all electrical and safety codes and ordinances, including the most recent National Electric Code (NEC) and with the Occupational Safety and Health Act (OSHA) Volume 1 on General Industry Standards and interpretations.
- Do not use or permit use of the power bank in beds or sleeping bags as this fixture can melt fabric and may result in burn injury.