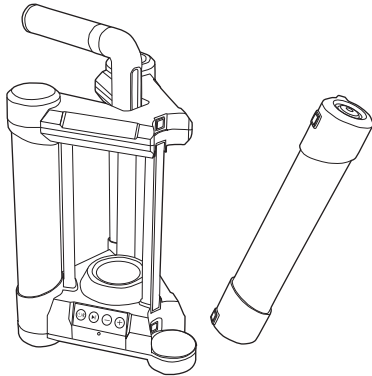




# SWISS TECH



## KERNSTÜCK

### Bluetooth Speaker + Lantern

This light transforms

RECHARGEABLE  
**2000  
LUMENS**

# SWISSTECH

## A LANTERN TRANSFORMED

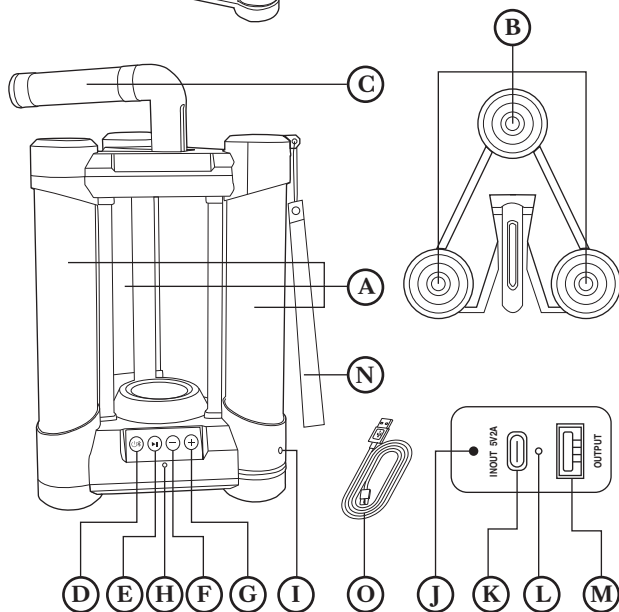
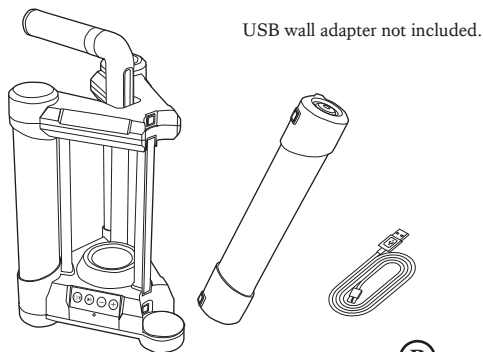
### KERNSTÜCK

### Bluetooth Speaker + Lantern

The Swiss Tech Kernstück Powerful 2000 Lumen Bluetooth Speaker and LED Lantern takes something simple and reimagines it with modern style and convenience. Kernstück means "centerpiece" in Swiss German. With its three extremely bright lights, this lantern is sure to be the centerpiece of any and every outdoor adventure. Powered by a rechargeable 7800 mAh lithium-ion battery, the long lasting LEDs provide a massive 2000 lumens. With 4 light modes of high, medium, low and flash, you can brighten or dim the lighting to match the mood of your surroundings. Each torch is controlled separately, so you can set each one particularly for the light output you want. At the highest of settings, you reach an astounding (20-meter) range of visibility. The front of the lantern provides a removable torch for an easy light when needed. It rests in a magnetic charging seat so it's always ready for use. The Kernstück is a striking IPX4 weather proof device so you are prepared for any situation your adventures throw at you. The durable construction provides additional reliability and strength. The top handle extends upwards and collapses for easy storage and transport. It also features a silicone comfort grip for ease of use. Designed specifically with your needs in mind, the lantern brings modern convenience in a single solution. Beyond the light, the Kernstück features a quality Bluetooth speaker to have your music always with you. It also boasts a convenient 5200 mAh power bank for charging everything from your phone to your flashlight with a universal USB port. For added convenience, you can still utilize the bluetooth speaker and all lanterns while it is plugged in and charging. Whether you're hitting the trails or preparing your home, the Swiss Tech Kernstück Lantern brings the style and functionality you need and want.

**Swiss Tech Kernstück Bluetooth Speaker and LED Lantern**  
**Vendor Stock Number: 30798**

Questions, problems, or missing parts?  
Before returning to the store, contact  
GreatStar Customer Service  
9AM-4PM CST, M-F  
Call: 479-802-3580 or Email: [Help@greatstar-us.com](mailto:Help@greatstar-us.com)



3

**CONTENT**

PART	DESCRIPTION	QUANTITY
A	LED Light	3
B	Power and Mode Shift Button	3
C	Swivel Handle	1
D	Bluetooth Speaker Power Button	1
E	Play/Pause Button	1
F	Volume -	1
G	Volume +	1
H	Blue Tooth Indicator Light	1
I	Battery Indicator Light	1
J	Input Charging Indicator	1
K	Input Charging Port	1
L	Output Recharging Indicator	1
M	Output Recharging Port	1
N	Leather Lanyard	1
O	Charging Cable	1

**WARNING**

- Read all instructions before using this lantern.
- This product is water resistant, not waterproof.
- Never modify the product or any of its parts as this may result in serious personal injury.
- This lantern is not intended for use in potentially dangerous locations such as places with explosives or flammable atmospheres.
- Never look directly into the light sources/LED chips as they are extremely bright and may cause eye damage from prolonged exposure.
- Place lantern away from any heat source.
- The white lampshade may get hot during use. To avoid the risk of burns, do not touch it.
- Do not place anything on top of the lantern during or after each use to prevent potential fire.
- Never use this lantern if the white protective lampshade is damaged or removed.
- Do not wash lantern with water or allow water to get inside light.
- Keep this lantern away from children.
- Store lantern in room temperatures below 86°F.
- Keep lantern dry, clean and free from oil and grease.
- Do not leave the lithium-ion battery powered unit in direct sunlight.

4

## SAFETY INFORMATION

- Never use this lantern around flammable liquids such as gasoline.
- To avoid electrical shock, do not put lantern in water or any other liquids.
- Do not store lantern where it can easily fall into tub/sink/pool of water.
- Do not handle this lantern or try to plug this in while your hands are damp or wet.
- Do not operate this lantern after it has malfunctioned.
- Always make sure the power source conforms to the rating on this fixture. Hence, this lantern must always be used in accordance with all electrical and safety codes and ordinances, including the most recent National Electric Code (NEC) and with the Occupational Safety and Health Act (OSHA) Volume 1 on General Industry Standards and interpretations.
- Do not use or permit use of lantern in beds or sleeping bags as this fixture can melt fabric and may result in burn injury.

## FCC STATEMENT

This equipment has been tested and found to comply with the limits for a Class B digital device, pursuant to Part 15 of the FCC Rules. These limits are designed to provide reasonable protection against harmful interference in a residential installation. This equipment generates uses and can radiate radio frequency energy, and if not installed and used in accordance with the instructions, may cause harmful interference to radio communications. However, there is no guarantee that interference will not occur in a particular installation. If this equipment does cause harmful interference to radio or television reception, which can be determined by turning the equipment off and on, the user is encouraged to try to correct the interference by one or more of the following measures:

- Reorient or relocate the receiving antenna.
- Increase the separation between the equipment and receiver.
- Connect the equipment into an outlet on a circuit different from that to which the receiver is connected.
- Consult the dealer or an experienced radio/TV technician for help.

This device complies with part 15 of the FCC Rules. Operation is subject to the following two conditions:

- This device may not cause harmful interference,
- This device must accept any interference received, including interference that may cause undesired operation.

## ELECTRICAL INFORMATION

The charging cable is compatible with any USB wall adapter that has an output of 5V/2A.

- To ensure proper charging, use the enclosed USB charging cable.
- Pull by plug rather than cable when disconnecting lantern to avoid damage to electric plug and cable.

## SPECIFICATIONS

Battery	3 X Lithium-ion 2600mAh rechargeable battery		
Product Weight	1313g	Charging Cable Length	40-inches
Product Width	7.05-inches	Mode	high, medium, low, and flash
Product Depth	7.05-inches	Run Time	High: 3 hours, Medium: 5 hours Low: 8 hours
Product Height	11.0-inches	Recharge Time	4 to 6 hours
Rated Voltage	Input:5V, 2A	Lumen Output	High: 2000LM, Medium:1000LM Low: 500LM
Power	13W	Impact Resistance	3-feet



## OPERATING LANTERN

- Fully charge the lantern before turning on.
- Press the power and mode shift button of each lantern to turn on and adjust the brightness.
- Press and hold the bluetooth speaker power button to turn on the bluetooth speaker.
- Press the volume – button to decrease music volume.
- Press the volume + button to increase music volume.
- Press the play/pause button to stop and start music at any time.

## RECHARGING THE BATTERY & CHARGING FOR OTHER DEVICE

- Battery charging indicator is red when charging and is green when fully charged.
- Battery charging indicator is blue when USB output is used to charge other devices.
- USB port cannot be used while the lantern is recharging, but the Bluetooth speaker remains functional.
- If the lantern is fully charged, it can light up, play music and charge other devices.
- When the battery is completely drained, the lantern will take about 4-6 hours to fully charge.



## BLUETOOTH FUNCTION

- Built for playing music on the go with compatible devices.
- Be aware that the Bluetooth connection range is 10 meters.
- With the lantern in stand-by mode, press and hold the Power/Bluetooth button  to select Bluetooth mode. It will sound a prompt tone and the blue indicator light beneath the button flash quickly. The lantern is now ready to pair with your cell phone.
- Turn on the Bluetooth feature of your cell phone and turn down the volume to avoid sudden loud sound bursts from the speaker. Enable the search or scan feature to find the BT-SPEAKER. Note: If you have more than one lantern within range, make sure you are connecting to the appropriate speaker.
- Select “BT-SPEAKER” from the device list when it appears on your cell phone screen.
- After successfully pairing your cell phone with the lantern, the blue indicator light stop flashing and remain turned on and you will hear a prompt tone. You can now play music from your cell phone wirelessly to the light. Note: If you want to connect the lantern to another cell phone after pairing successfully, then you need to turn off the Bluetooth on the paired cell phone firstly if it is in range before going through the above steps. Otherwise, the light will automatically reconnect to the previously linked cell phone.
- Press the VOLUME +/- button to adjust the volume level.
- Long-press the Power/Bluetooth button  to turn off Bluetooth mode. The blue indicator will turn off. Don't forget to also turn off the Bluetooth feature on your cell phone.

### Note:

- If the Bluetooth speaker is left idle, whether paused or otherwise, it will stay in standby mode while device is in range. If the speaker is idle for 10 minutes, the lantern will shut off for power saving.
- Bluetooth mode operates normally while lantern is powered on, charging and recharging.
- If you receive a phone call while playing music on the speaker, the Bluetooth speaker function would be paused. After your phone call is complete, the Bluetooth speaker would continue from the last pause.

If the Bluetooth speaker is not working:

- If Bluetooth indicator quickly flashes, go back to be within range, both cell phone and lantern will link automatically.
- If Bluetooth indicator remaining turned on, press  button to restart the Bluetooth mode.
- If Bluetooth indicator is off, press the  to re-link (pair) your cell phone manually.

## CARE AND MAINTENANCE

- Always keep the battery fully charged when not in use.
- Do not subject the unit to excessive force, shock, dust or extreme temperatures.
- Do not tamper with the external or internal components of the unit.
- Clean your unit with a dry cloth. Solvent or detergent should never be used.
- Avoid leaving your unit in direct sunlight or in hot, humid or dusty places.
- Keep your unit away from heating appliances and sources of electrical noise such as fluorescent lamps or motors.

## TROUBLESHOOTING

If the lantern does not work, check the following:

- Fully charge the lantern before use.
- Ensure the cord is properly plugged into the power source to charge the battery.
- The battery may be depleted, allow the lantern to charge for about 4 to 6 hours.
- Make sure the lantern is powered on by pressing the Power and Mode Shift Button.

## WARRANTY

This lantern is backed with a two-year limited warranty to the original purchaser. This warranty covers against defects in material and workmanship under normal use. This warranty does not cover against abuse, improper use, failure to follow directions, neglecting, and ordinary wear and tear.