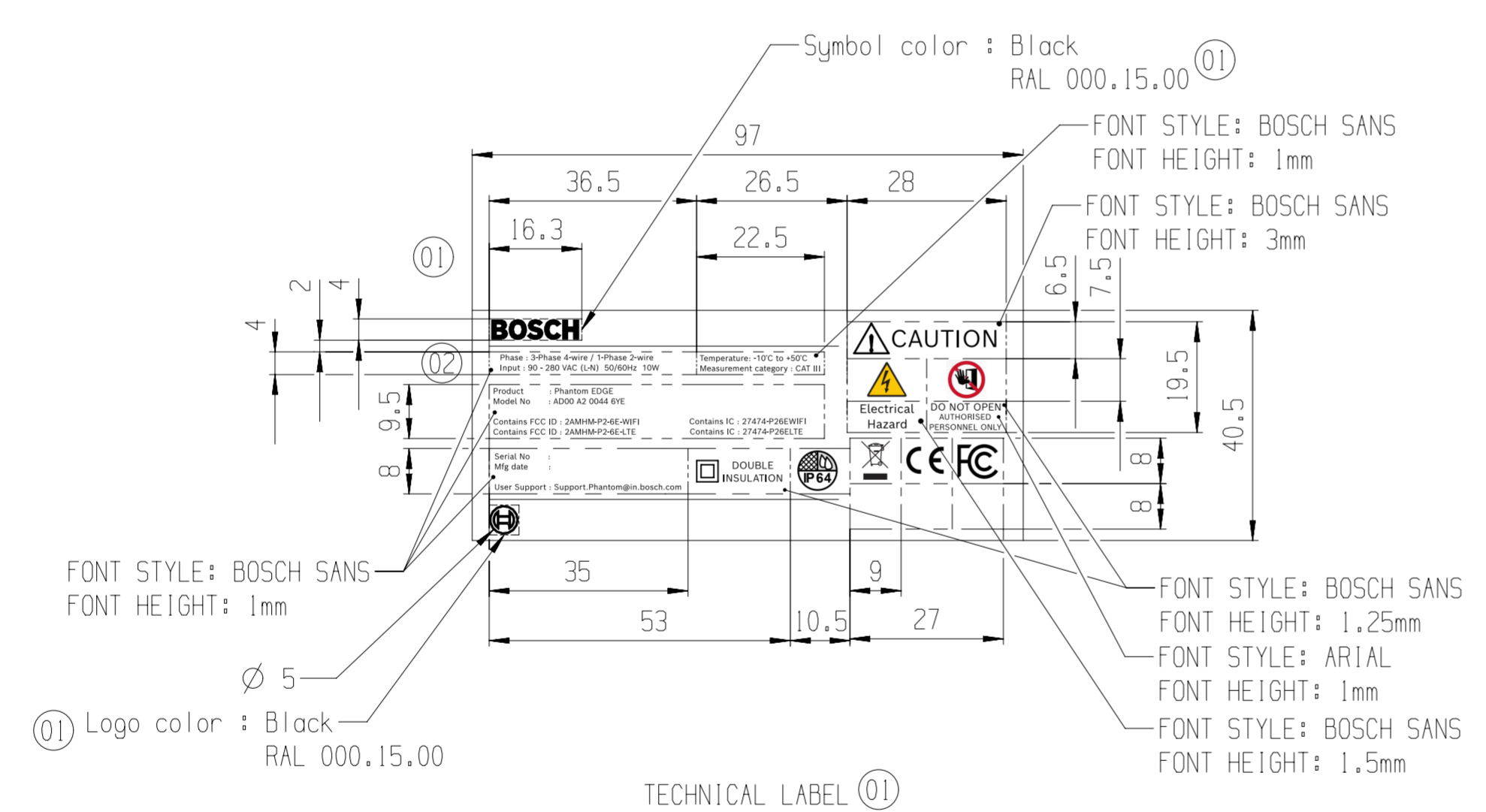


VIEW C
VIEW ROTATED



NOTE:

MATERIAL : 3M THERMAL TRANSFER POLYESTER LABEL MATERIAL 7871
FINISH : GLOSSY
BACKGROUND COLOR - WHITE; PRINTING - BLACK
ADHESIVE - SELF
180° PEEL ADHESION - 8.5 N/cm FOR POLYCARBONATE
MINIMUM ALLOWABLE MATERIAL THICKNESS 0.2mm
GENERAL TOLERANCE AS PER STANDARD ISO 2768-1 (MEDIUM)

BOSCH LOGO ACCORDING TO BOSCH NORM N41A B07/4

Size/Gr. / dx / Höhe / mm	ISO 14405-142010-12
Größe / Gr. / dx / Höhe / mm	ISO 14405-142010-12

02	Revision 02	20210930	gmo5kor	dhm1kor	mpb2kor	000	MS/ENP1	Spec. update
01	Revision 01	20210723	gmo5kor	dhm1kor	mpb2kor	000	RBE1/ENP1	Layout change
00	P No. Update	20210222	gmo5kor	dhm1kor	mpb2kor	000	RBE1/ENP1	Initial release
Ind.	Change/Änd.	YYYYMMDD	Drawn/Gez.	Checked/Gepr.	Releas./Freig.	BWN	Resp. dept./Verantw. Abt.	Add. info./Zus. Info.
Treatment/ Behandlung							Missed Details/Fehlende Angaben	Size/Gst.
Mat./Stoff	SEE NOTES						From/Aus	
Lang./Spr. en/de	Wght./Gew.			TECHNICAL LABEL			Sheet/Bl.	1 / 1
Doc. type DRW	Crit. P.	Scale/M.stab	Mat.meets/Stoffe sJ	Syst.	UG	PH2M105000	DP/ID	Ind. Format
MNR	N 2580-1						001	02 A2
Repl. for							Repl. by	

© Robert Bosch GmbH. Alle Rechte vorbehalten, auch bzgl. jeder Vervielfältigung, Verbreitung, Reproduktion, Bearbeitung, Weitergabe sowie fuer den Fall von Schutzrechtsmaßnahmen.

© Robert Bosch GmbH. All rights reserved, also regarding any disposal, exploitation, reproduction, editing, distributing, as well as in the event of applications for industrial property rights.