

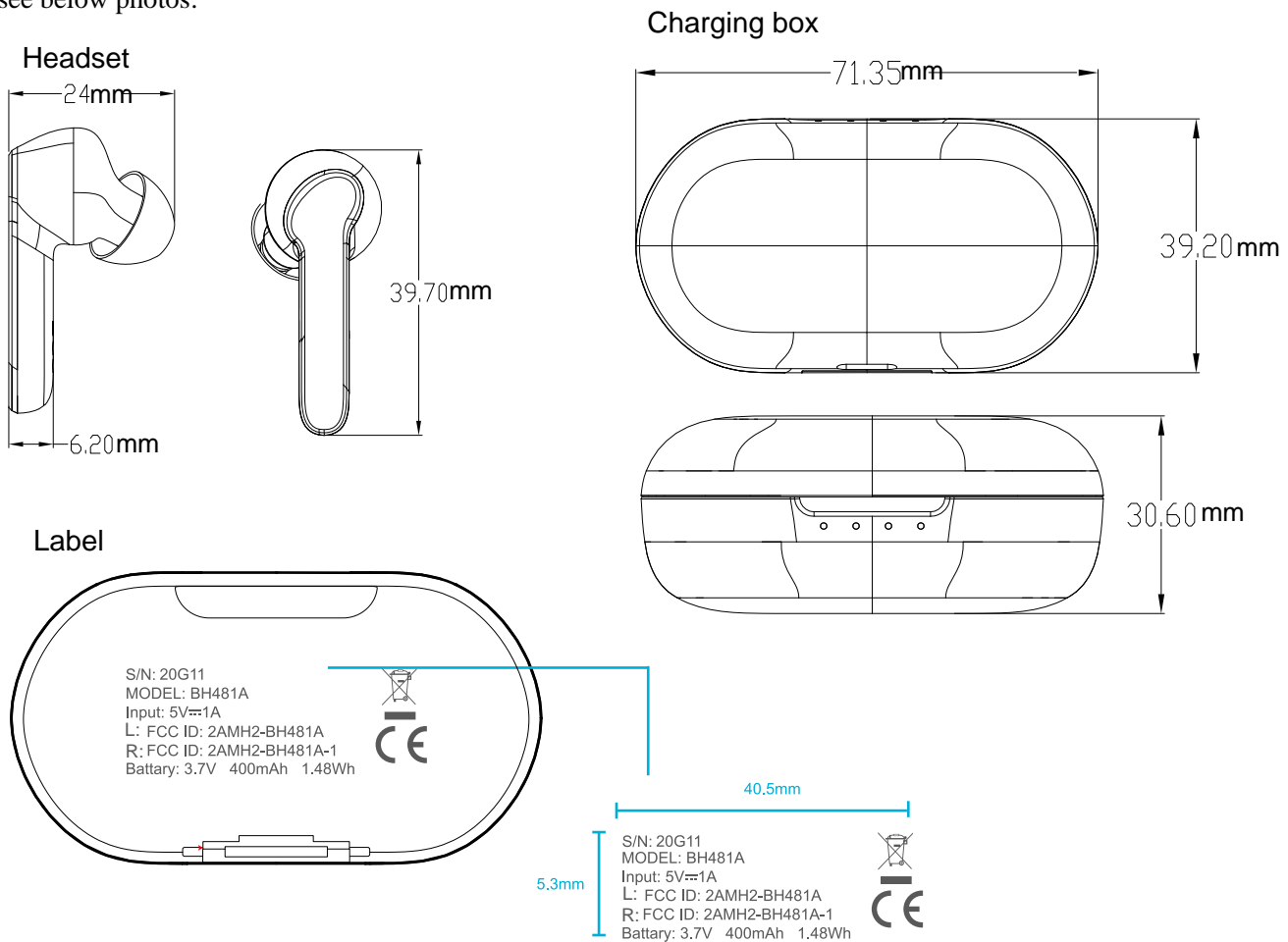
MPOW TECHNOLOGY CO., LIMITED
 ADD: FLAT/RM 605 6/F FA YUEN COMMERCIAL BUILDING 75-77 FA YUEN STREET MONGKOK KL HONG KONG
 TEL: 18566621145
 FAX: +86-755-26008484
 Mail: Derric_bai@patazon.net

To
FEDERAL COMMUNICATIONS COMMISSION
 Authorization and Evaluation Division
 7435 Oakland Mills Road
 Columbia,MD 21046

Dear Sir/Madam,

We, MPOW TECHNOLOGY CO., LIMITED, FCC ID: 2AMH2-BH481A, hereby submits justification for placing the FCC ID label to the charging box. According to the FCC Regulation and Guidance (KDB Publication 784748 D01 v09R01) allows for the FCC to be removed to charging box if the device is unquestionably too small for the FCC ID label to be printed.

The measurement of headset: Length (39.7mm)*Width (24mm)*High (6.2mm), label: Length 40.5(mm)*Width15.3(mm), charging box:71.35(mm)*39.2 (mm)*30.6(mm).Refer to the above quote, as the headset are too small for the FCC ID label to be printed, so the FCC ID label will be moved to the charging box. For details, please see below photos:



Sincerely,

Derric Bai *Derric Bai*
 Compliance Manager