

MPOW TECHNOLOGY CO., LIMITED

ADD: FLAT/RM 605 6/F FA YUEN COMMERCIAL BUILDING 75-77 FA YUEN STREET MONGKOK KL HONG KONG

TEL: 18566621145

FAX: +86-755-26008484

Mail: Derric_bai@patazon.net

To
FEDERAL COMMUNICATIONS COMMISSION

Authorization and Evaluation Division

7435 Oakland Mills Road

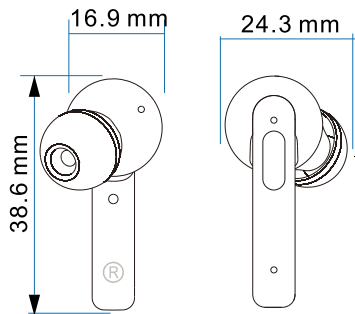
Columbia,MD 21046

Dear Sir/Madam,

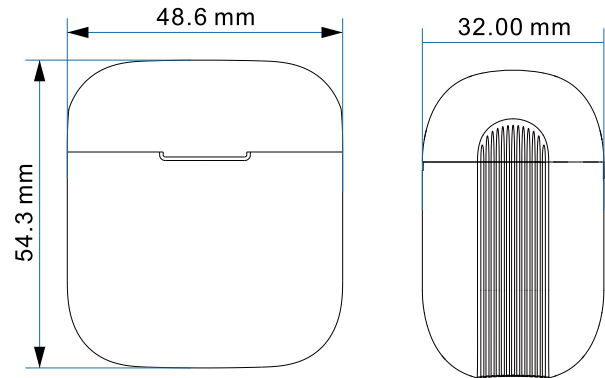
We, MPOW TECHNOLOGY CO., LIMITED, FCC ID: 2AMH2-BH432B-1, hereby submits justification for placing the FCC ID label to the charging box. According to the FCC Regulation and Guidance (KDB Publication 784748 D01 v09R01) allows for the FCC to be removed to charging box if the device is unquestionably too small for the FCC ID label to be printed.

The measurement of headset: Length (38.6mm)*Width (24.3mm)*High (16.9mm), label: Length 42(mm)*Width30(mm), charging box:54.3(mm)*32 (mm)*48.6(mm).Refer to the above quote, as the headset are too small for the FCC ID label to be printed, so the FCC ID label will be moved to the charging box. For details, please see below photos:

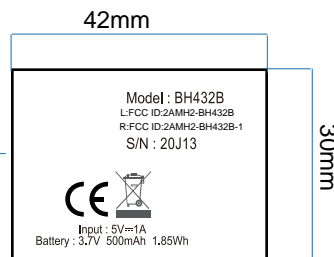
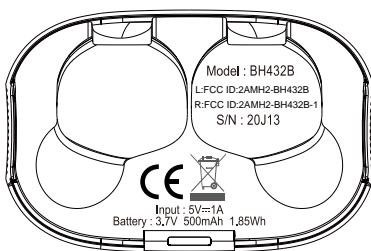
Earphone



Charging box



Label:



Sincerely,

Derric Bai
Compliance Manager