

**MPOW**  
DREAM-EXPLORE-INSPIRE

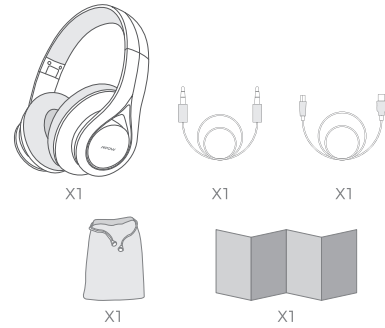
# MPOW059 PRO WIRELESS HEADPHONES

MPOW AUDIO WIRELESS

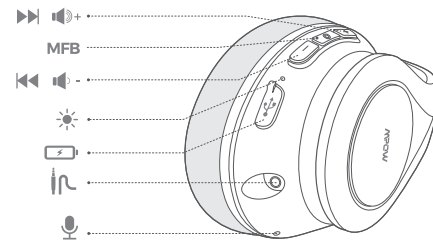


MODEL : BH393A

## Package List

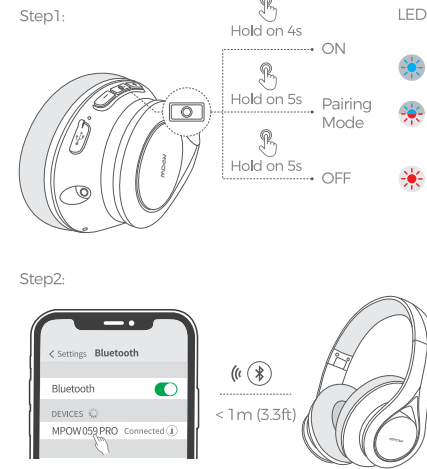


## Diagram



## How to Pair

DE Pairing-Modus  
FR Fonction de Connexion  
ES Las Funciones De Emparejamiento  
IT Funzione di Collegamento



## EN

With your headphones powered off, press and hold the MFB until the red and blue lights flash alternately to enter the pairing mode. Enable the Bluetooth feature of your cellphone and find "MPOW 059 PRO" to connect.

## DE

Wenn Ihr Kopfhörer ausgeschaltet ist, halten Sie den MFB so lange, bis die roten und blauen Lichter abwechselnd blinken, um in den Kopplungsmodus zu gelangen. Aktivieren Sie die Bluetooth-Funktion Ihres Mobiltelefons und finden Sie "MPOW 059 PRO", um eine Verbindung herzustellen.

## FR

Lorsque votre casque est éteint, maintenez le MFB enfoncé jusqu'à ce que les voyants rouge et bleu clignotent alternativement pour passer en mode de couplage. Activez la fonction Bluetooth de votre téléphone portable et recherchez "MPOW 059 PRO" pour vous connecter.

## ES

Con los auriculares apagados, mantenga presionado el MFB hasta que las luces roja y azul parpadeen alternativamente para ingresar al modo de emparejamiento. Active la función Bluetooth de su móvil y busque "MPOW 059 PRO" para conectarse.

## IT

Con le cuffie spente, tenere premuto l'MFB fino a quando le luci rossa e blu lampeggiano alternativamente per accedere alla modalità di accoppiamento. Attivare la funzione Bluetooth del tuo cellulare e trova "MPOW 059 PRO" per collegarle.

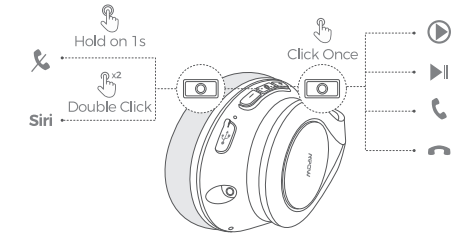
## Play/Pause/Answer/Hang up/Reject/Redial

DE Abspielen / Anhalten / Anruf Annehmen/  
Anrufauflegen / Anruf abweisen/Wiederwahl

FR Lecture/Pause/Répondre à un Appel / Raccrochez un Appel / Rejeter un Appel/Rappel

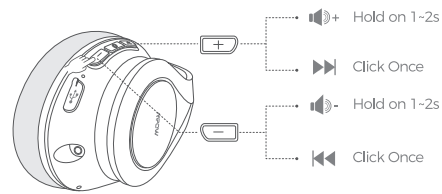
ES Reproducir / Pausa / Responder Una Llamada / Colgar Una Llamada / Rechazar Una Llamada / Rellamada

IT Riproduci / Pausa / Rispondere a una chiamata / Terminare una chiamata / Rifiutare una chiamata / Richiama



## Volume Control/Music Control

DE Lautstärkeregelung / Musiksteuerung  
FR Contrôle du Volume / Contrôle de la Musique  
ES Control de Volumen / Control de la Música  
IT Controllo di Volume / controllo di Musica



## Clear Paired Device

DE Löschen der Kopplungsinformationen  
FR Supprimer des informations d'appariement  
ES Borrar la Información de Emparejamiento  
IT Cancellare le informazioni di Accoppiamento

## FAQ

### 1. Cannot turn on headphones

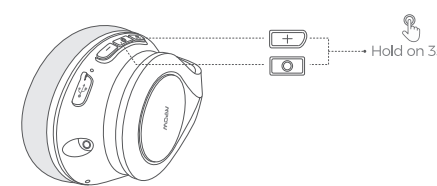
- Make sure the headphones are full charged.
- Make sure the headphones are off while charging. Please disconnect the USB charging cable before you turn on the headphones.

### 2. Cannot charge headphones

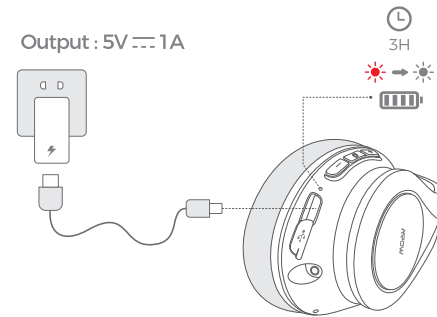
- Please use the provided USB charging cable.
- Make sure the USB charging cable is connected firmly to your headphones, USB AC adapters and computers.
- Make sure the USB AC adapters are connected firmly to your power outlets.

### 3. No sound from the headphones

- Make sure headphones and paired devices are turned on.
- Make sure headphones and Bluetooth receiving devices are connected to A2DP via Bluetooth.
- Please turn up the volume when the volume is too low.
- Make sure the paired devices are in normal operation.
- Make sure the audio output device on your PC is the Bluetooth® device when you connect headphones to computers.
- Make sure the Aux cable is connected firmly in wired mode.



## Charge the Headphones



## FCC Statement

Any Changes or modifications not expressly approved by the party responsible for compliance could void the user's authority to operate the equipment.

This device complies with part 15 of the FCC Rules. Operation is subject to the following two conditions: (1) This device may not cause harmful interference, and (2) this device must accept any interference received, including interference that may cause undesired operation.

### Note:

This equipment has been tested and found to comply with the limits for a Class B digital device, pursuant to part 15 of the FCC Rules. These limits are designed to provide reasonable protection against harmful interference in a residential installation. This equipment generates, uses and can radiate radio frequency energy and, if not installed and used in accordance with the instructions, may cause harmful interference to radio communications. However, there is no guarantee that interference will not occur in a particular installation. If this equipment does cause harmful interference to radio or television reception, which can be determined by turning the equipment off and on, the user is encouraged to try to correct the interference by one or more of the following measures:

- Reorient or relocate the receiving antenna.
- Increase the separation between the equipment and receiver.
- Connect the equipment into an outlet on a circuit different from that to which the receiver is connected.
- Consult the dealer or an experienced radio/TV technician for help.

## FCC Radiation Exposure Statement:

This equipment complies with FCC radiation exposure limits set forth for an uncontrolled environment.

www.xmpow.com | support@xmpow.com  
**MPOW TECHNOLOGY CO., LTD**  
Copyright © MPOW Inc. All rights reserved.