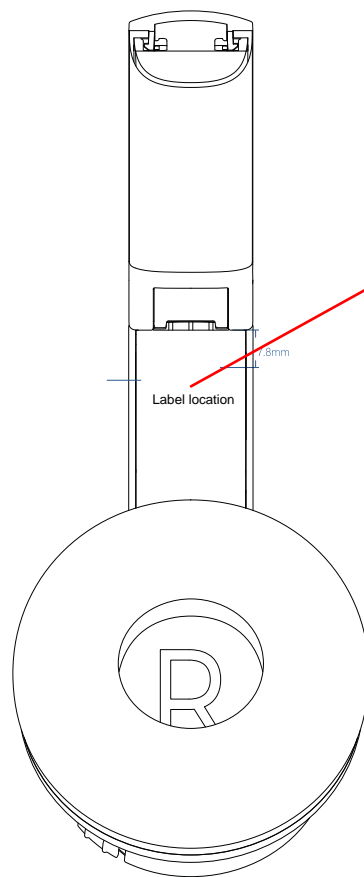


20mm

FCC ID : 2AMH2-BH364A
IC : 25122-BH364A
MPOW TECHNOLOGY
CO. LIMITED



BH364A

14.3mm

12.2mm

CE

S/N : 19E11
MODEL : BH364A

BH364B

14.3mm

12.2mm

CE

S/N : 19E11
MODEL : BH364B