

MPOW
DREAM-EXPLORE-INSPIRE

MPOW H20 WIRELESS HEADPHONES

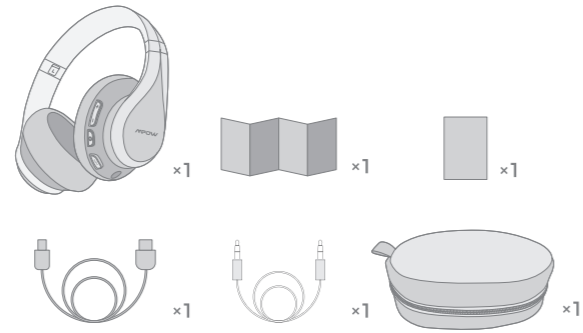
MPOW AUDIO WIRELESS



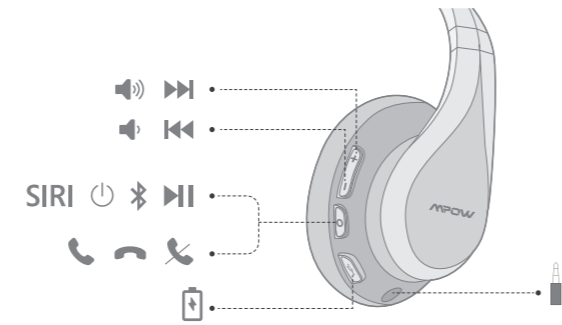
MODEL : BH332A

We are appreciated for purchasing our new Mpow H20 product. This guide contains instructions for setting up and using your Mpow H20 easily.

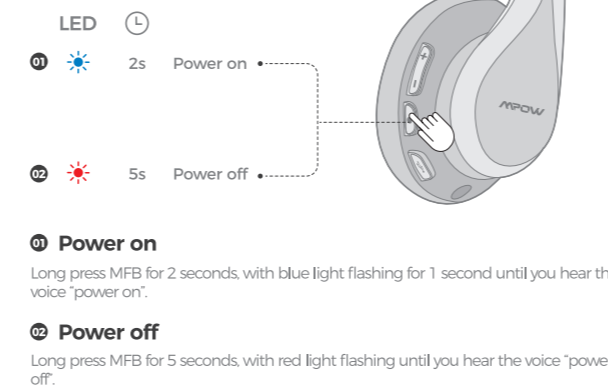
Package



Diagram



Power ON / OFF



① Einschalten

Drücken Sie bitte lange Zeit die Multifunktientaste ca. 2 Minuten, das blaue Licht wird 1 Sekunde blinken, bis Sie „power on“ hören.

② Ausschalten

Drücken Sie bitte lange Zeit die Multifunktientaste ca. 5 Minuten, das rote Licht wird blinken, bis Sie „power off“ hören.

③ Allumer

Appuyez longuement sur MFB pendant 2 secondes, avec la lumière bleue clignotant pendant 1 seconde jusqu'à ce que vous entendiez la voix "allumer".

④ Éteindre

Appuyez longuement sur MFB pendant 5 secondes, le voyant rouge clignotant jusqu'à ce que vous entendiez la voix "éteindre".

⑤ Encender

Mantenga presionado MFB durante 2 segundos, con la luz azul parpadeando durante 1 segundo hasta que escuche la voz "power on".

⑥ Apagado

mantenga presionado MFB durante 5 segundos, con la luz roja parpadeando hasta que escuche que la voz "power off".

⑦ Accensione

Premere a lungo MFB per 2 secondi, con luce blu lampeggiante per 1 secondo fino a sentire la voce "power on".

⑧ Spegnimento

Premere a lungo MFB per 5 secondi, con luce rossa lampeggiante fino a sentire la voce "power off".

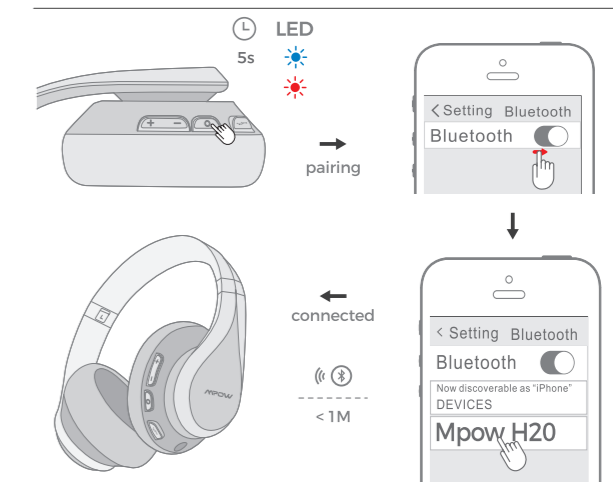
⑨ 電源オン

青のインジケータが1秒間点灯して、「パワーオン」が聞こえるまで、MFBボタンを2秒間ほど押します。

⑩ 電源オフ

赤のインジケータが点灯し、「パワーオフ」が聞こえるまで、MFBボタンを5秒間ほど押します。

How To Pair



① Long press MFB for 5 seconds to enter the pairing mode, with red and blue light taking turns to flash and the voice "pairing" heard.

② Turn on Bluetooth function on the phone, search "Mpow H20" and click to connect. The voice "connected" will be heard after the successful connection.

③ Drücken Sie bitte lange Zeit die Multifunktientaste ca. 5 Minuten, um in den Verbindung-Modus zu stellen. Das rote und blaue Licht wird blinken, und Sie „pairing“ hören.

④ Turn on Bluetooth function on the phone, search "Mpow H20" and click to connect. The voice "connected" will be heard after the successful connection.

⑤ Appuyez longuement sur MFB pendant 5 secondes pour passer en mode de couplage, les voyants rouge et bleu clignotant et la voix "couplage" entendue.

⑥ Activez la fonction Bluetooth sur le téléphone, recherchez "Mpow H20" et cliquez pour vous connecter. La voix "connectée" sera entendue une fois la connexion établie.

⑦ Mantenga presionado MFB durante 5 segundos para ingresar al modo de emparejamiento, con la luz roja y azul parpadeando y se escuchará la voz "pairing".

⑧ Active la función Bluetooth en el teléfono, busque "Mpow H20" y haga clic para conectarse. La voz "connected" se escuchará después de la conexión exitosa.

① Premere a lungo MFB per 5 secondi per entrare nella modalità di accoppiamento, con luce rossa e blu accendono a lampeggiare alternativamente e la voce "pairing" sentita.

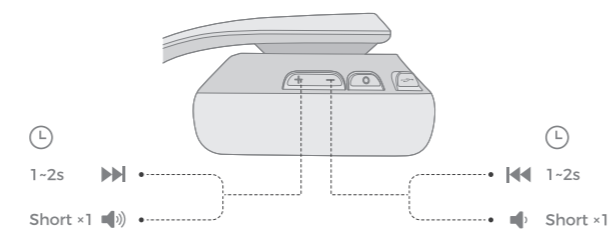
② Attivare la funzione Bluetooth sul telefono, cercare "Mpow H20" e fare clic per connettersi. La voce "connected" verrà ascoltata dopo la connessione riuscita.

③ MFBボタンを5秒間押ししてペアリングモードに入り、赤と青のインジケータが交替で点滅して、「ペアリング」の表示音が鳴ります。

④ スマホのBluetooth機能をオンにして、「Mpow H20」を検索して接続します。接続完了の場合、「connected」という音が聞こえます。

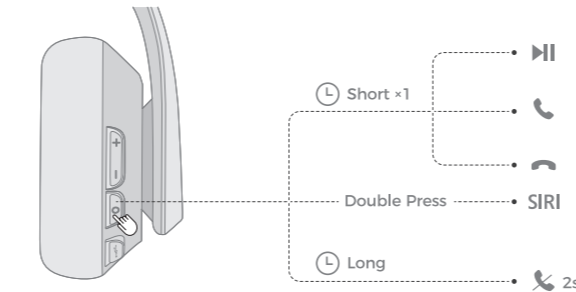
Volume Control /Music Control

Lautstärkesteuerung / Musiksteuerung
Contrôle du volume / Contrôle de la musique
Control de volumen / Control de música
Controllo Volume / Controllo Musica
音量調整 / 音楽調整



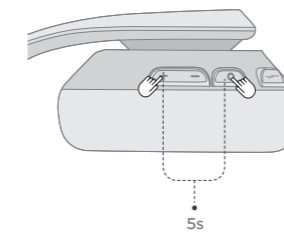
Play / Pause / Answer / Hang Up / Reject

Play/ Pause/Answer / Hang up / Reject
Jouer / Pause / Réponse / Raccrocher / Rejeter
Reproducir / Pausa / Contestar / Colgar / Rechazar
Riproduzione / Pausa / Risposta / Riaggancia / Rifiuta
再生 / 一時停止 / 着信応答 / 切る / 拒否する

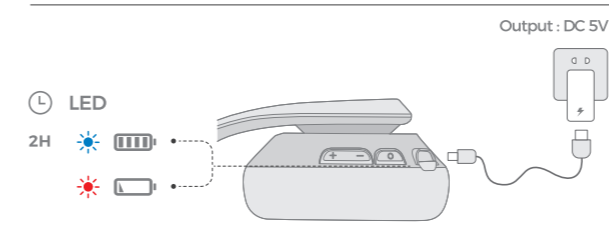


Clear Pairing

Die Verbindung Lösen
Effacer le Couplage
Cancelar Emparejamiento
Cancellare Accoppiamento
ペアリング履歴を削除する



Charging



Correct Disposal of This Product

(Waste Electrical& Electronic Equipment.)
This Marking shown on the product or its literature, indicate that it should not be disposed with other household wastes at the end of its working life.
To prevent possible harm to the environment or human health from uncontrolled waste disposal, please separate this from other types of wastes and recycle it responsibly to promote the sustainable reuse of material resources. Household user should contact either the retailer where they purchased this product, or their local government office, for details of where and how they can take this item for environmentally safe recycling.
Business users should contact their supplier and check the terms and conditions of the purchase contract. This product should not be mixed with other commercial wastes for disposal.

FCC Statement

Operation is subject to the following three conditions:
(1) This device may not cause harmful interference, and
(2) This device must accept any interference received, including interference that may cause undesired operation.
(3) This device has been evaluated to meet general RF exposure requirement. The device can be used in portable exposure condition without restriction.

Note:
This equipment has been tested and found to comply with the limits for a Class B digital device, pursuant to part 15 of the FCC Rules. These limits are designed to provide reasonable protection against harmful interference in a residential installation. This equipment generates, uses and can radiate radio frequency energy and, if not installed and used in accordance with the instructions, may cause harmful interference to radio communications. However, there is no guarantee that interference will not occur in a particular installation. If this equipment does cause harmful interference to radio or television reception, which can be determined by turning the equipment off and on, the user is encouraged to try to correct the interference by one or more of the following measures:

- Reorient or relocate the receiving antenna.
- Increase the separation between the equipment and receiver.
- Connect the equipment into an outlet on a circuit different from that to which the receiver is connected.
- Consult the dealer or an experienced radio/TV technician for help.

Any Changes expressly or modifications not approved by the party responsible for compliance could void the user's authority to operate the equipment.