

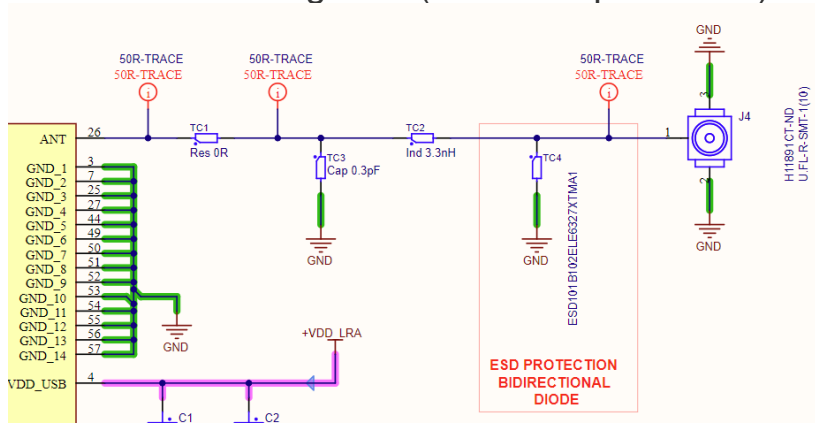
18 March 2024

Dear Sir

**FCC Class II Permissive Change for FCC ID:2AMFBLR3N**

Senceive wishes to have a Class II Permissive Change for module FCC ID:2AMFBLR3N to add a new antenna to the filing:

- Senceive do not sell the module to 3<sup>rd</sup> parties but install the module in their products only.
- The devices are professionally installed – please see exhibit “Antenna professional installation” for more detail.
- The certified module has been installed in a new host board, the L3N1 PCB.
- The antenna trace is connected to the SMA connector via a 50 ohm trace and matching filter (with ESD protection):



- This C2PC adds the following new antenna:

Manufacturer	Part Number	Type	Connector	Gain
GTT Wireless	OA-LR-07-01-CN	Dipole	N-type	1.0dBi

Please do not hesitate to contact me should you have any questions.

Yours Faithfully



Charlie Blackham