

9 March 2020

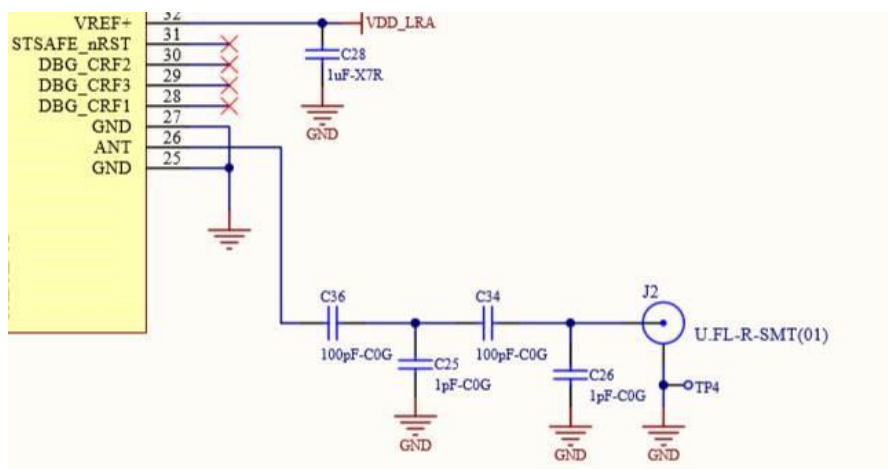
FAO: ACB Europe
Winchester
UK

Dear Michael

FCC Class II Permissive Change for FCC ID:2AMFBLR3N

Senceive wishes to have a Class II Permissive Change for module FCC ID:2AMFBLR3N:

- Senceive wish to extend the frequency range of operation to include the upper half of the 902 – 928 MHz band
- Senceive achieve this by changing the firmware – which is not accessible to the end user – and without any change to the hardware
- Senceive do not sell the module to 3rd parties but install the module in their products only.
- The devices are professionally installed – please see exhibit “Antenna professional installation” for more detail.
- The antenna trace is connected to the SMA connector via a 50 ohm trace and matching filter:



- The module may be used with the following antennas

Manufacturer	Part number	Type	Connector	Gain
Linx Technologies	ANT-916-CW-QW-SMA	¼ wave monopole	SMA	1.8 dBi
Linx Technologies	ANT-916-CW-RH-SMA	Helical whip	SMA	-1.3 dBi

Please do not hesitate to contact me should you have any questions.

Yours Faithfully



Charlie Blackham