

GBT-433

## 433MHz Antenna specifications

型号 (Model) 433M/ANTENNA 0.6\*4.5\*23.5N\*19.1-3.5\*3L



## 1. Product description

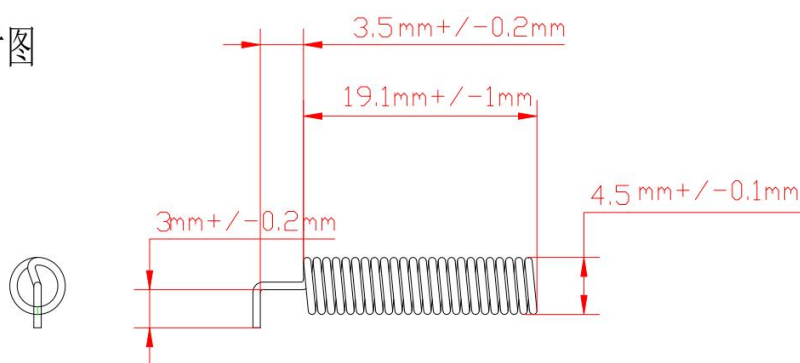
434.425MHz ANTENNA 0.6\*4.5\*23.5N\*19.1-3.5\*3L is a special antenna designed for 434.425MHz wireless communication system. The antenna has good standing wave ratio performance, compact size, ingenious structure, easy installation, stable performance, and good anti-vibration and aging capabilities.

## 二、性能参数 (Specifications)

- ◆ 中心频率 (working Frequency) : 434.425MHz
- ◆ 驻波比 (VSWR) :  $\leq 2.5$
- ◆ 增益 (Gain) : 2.15 DBI
- ◆ 输入阻抗 (impedance) :  $50 \Omega$
- ◆ 线径 (wire diameter) : 0.6 mm
- ◆ 接口形式 (Interface) : Direct welding
- ◆ 天线颜色 (Colour) : Yellow
- ◆ 材质 (Material) : copper

## 三、机械尺寸 (machine size)

尺寸图



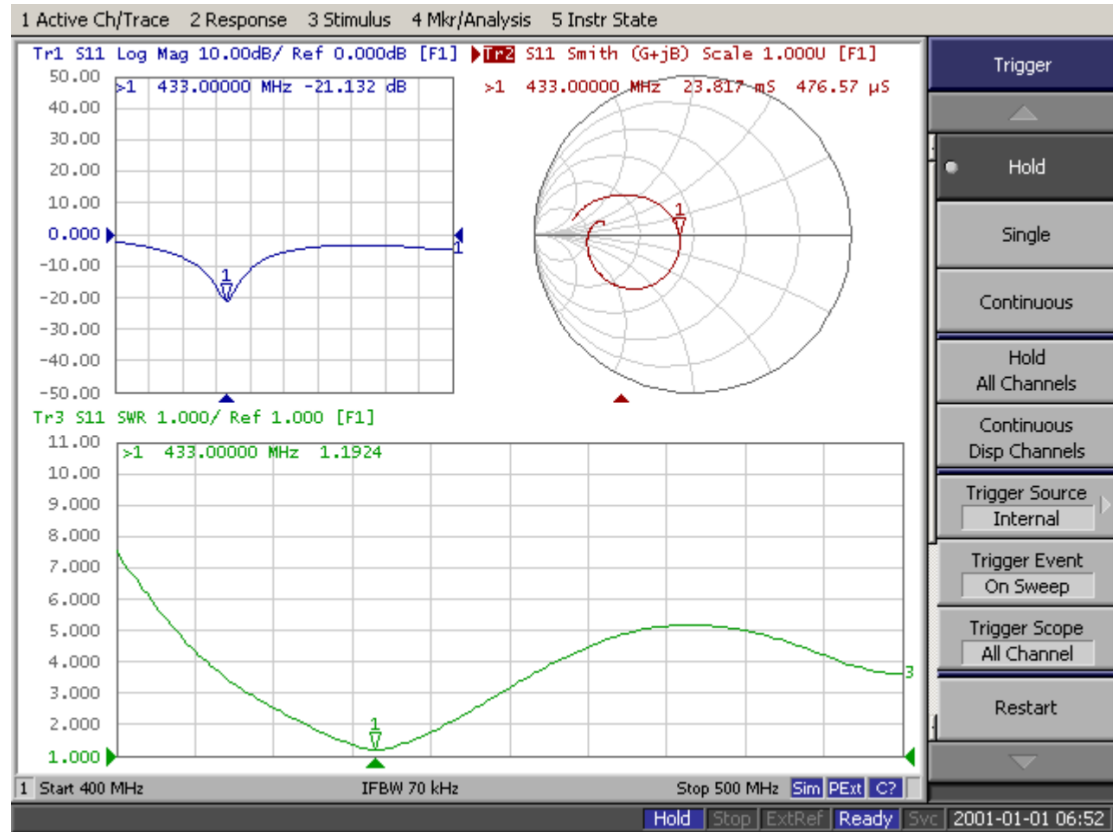
34F0

天线433M/ANTENNA0.6\*4.5\*23.5N\*19.1-3.5\*3L

弹簧: 线径0.6mm, 圈数23.5, 材质黄铜

## 四、VSWR、Radiation Pattern

### VSWR (电压驻波比)



# Radiation Pattern

434.425MHz

