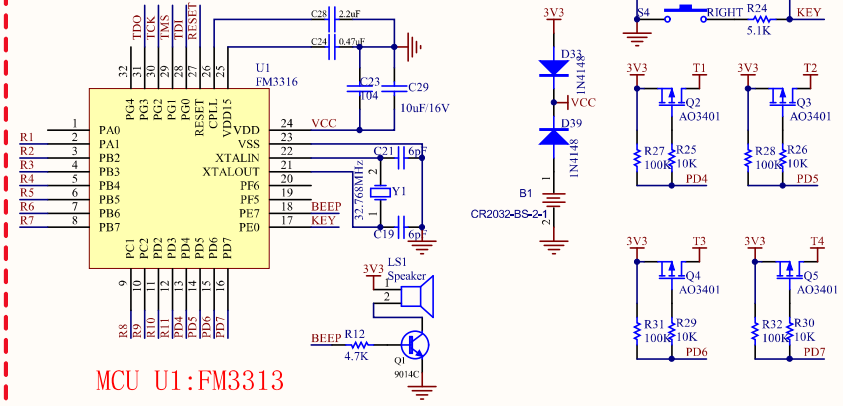
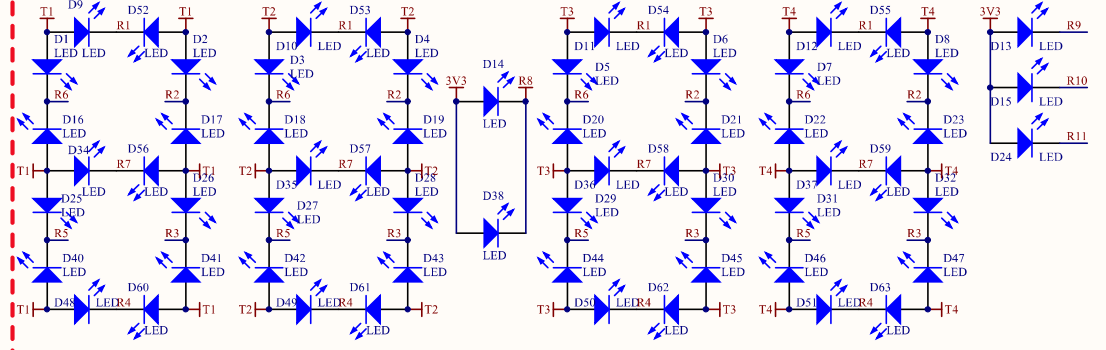


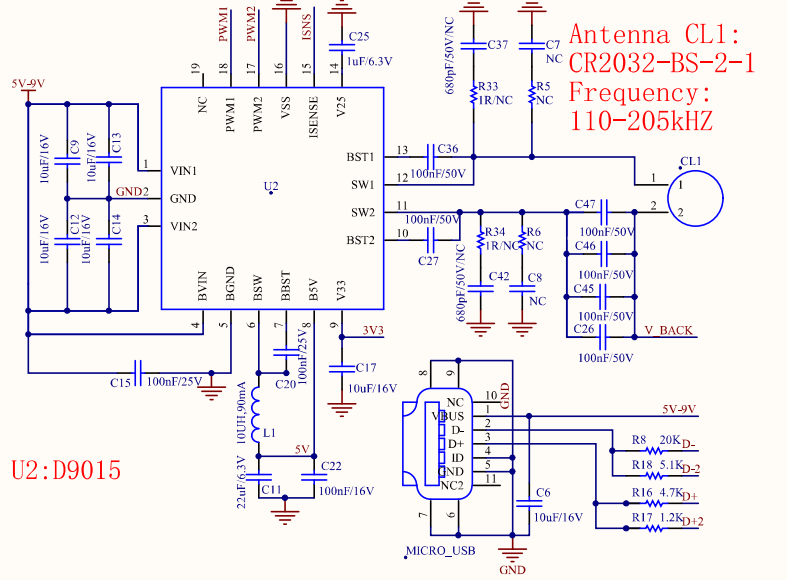
Crystal oscillator: 32.768MHZ



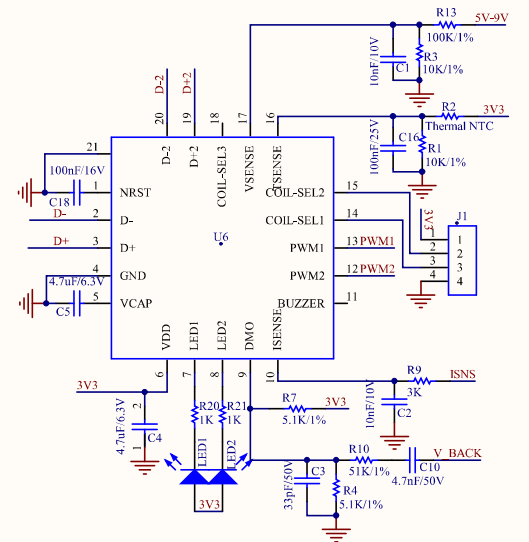
MCU U1: FM3316



Antenna CL1:  
CR2032-BS-2-1  
Frequency:  
110-205kHz



U2: D9015



U6: D9100

Title		
Size	Number	Revision
A3		
Date:	2021/3/18	Sheet of
File:	C:\Users\...\V1.0.sch	Drawn By: