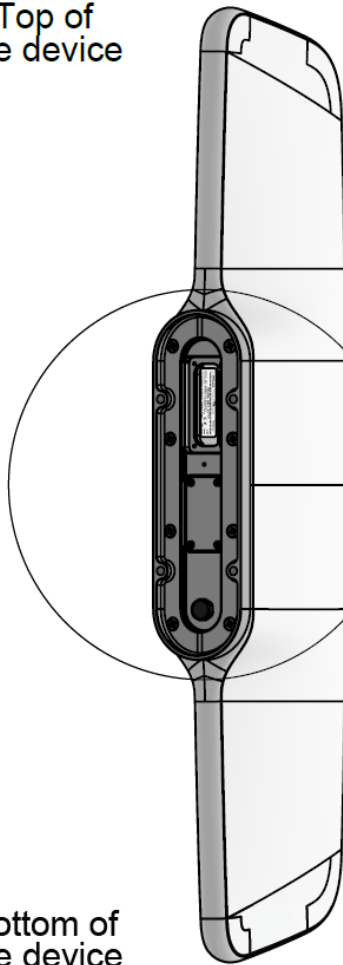


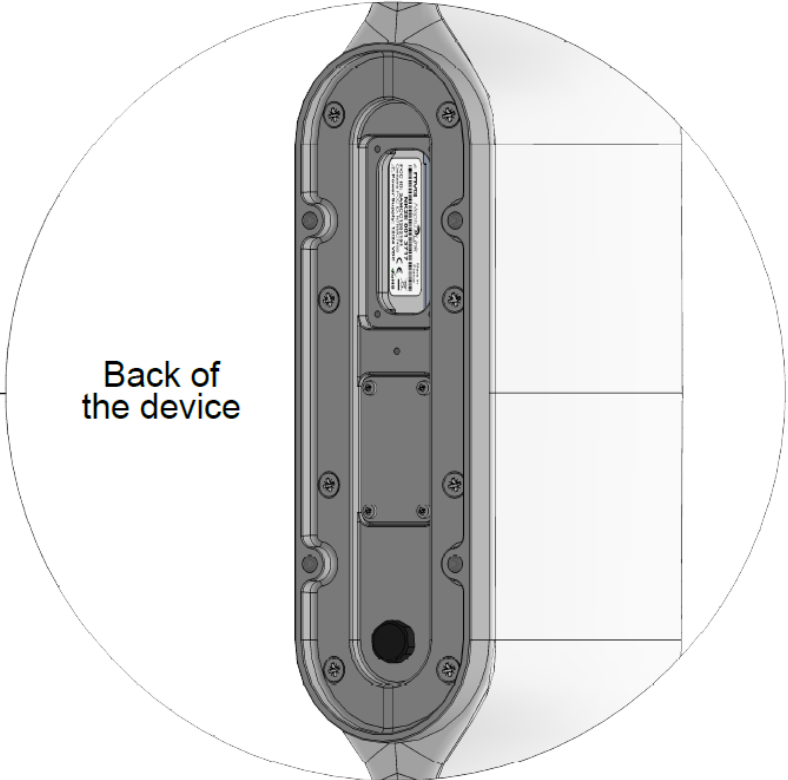
## LOCATION

Top of  
the device



Bottom of  
the device

Back of  
the device



The FCC ID label is located in the connectors (power supply, Ethernet) compartment. The plate (cover of the connectors compartment) in which the cable (or the cables) pass through, is not assembled to the device when it is shipped from the factory. The user has to plug at least one cable (PoE) to operate the device. At this time, the FCC ID indicated on the label, which is glued on one side of the connectors compartment, is visible to the user.

