



# Getting Started

## IoTargeting™

IoTargeting™ is a unique wireless target system, with an iOS and Android app. The app offers various gaming/scenario modes making it unique and interactive. Let's get started.

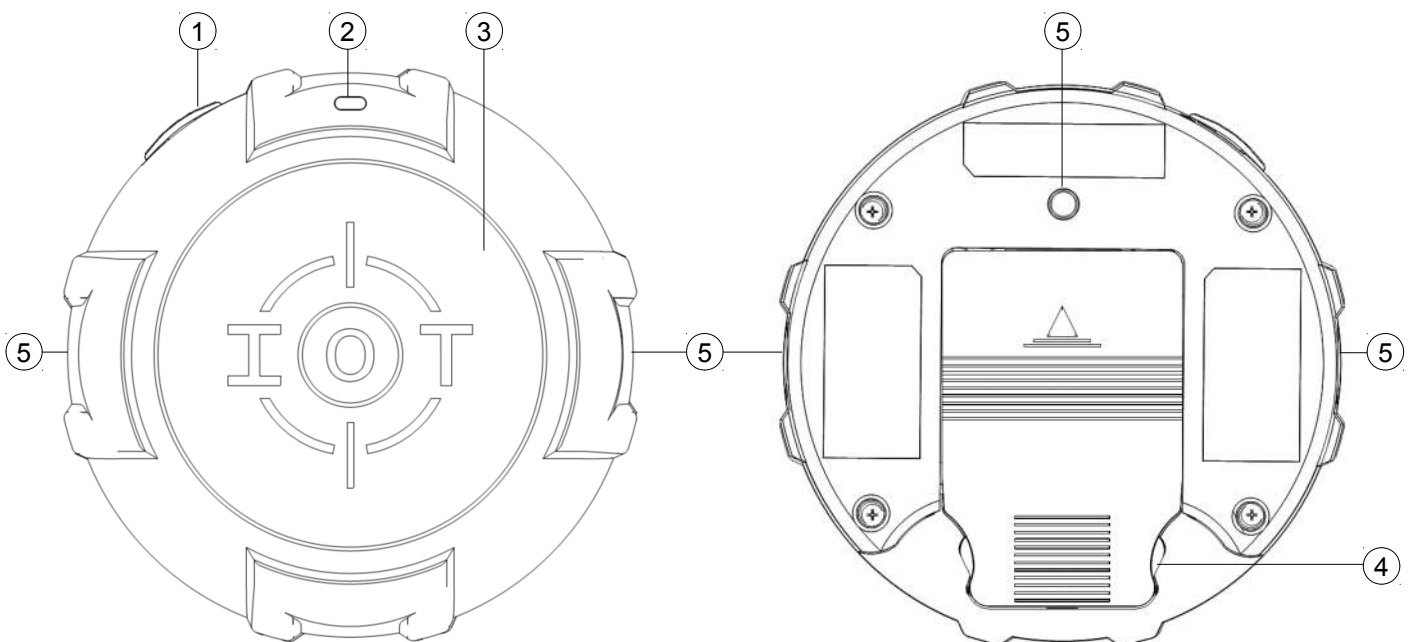
### What's in the Box?

1. Master/Smart Target
2. Getting Started Guide
3. Light Cover

### Getting to Know Your Target

There are two types of Targets available:

- **Master Target (MT)** - Connects to Smart Target via app to set up various game modes and to the cloud via Wi-Fi router
- **Smart Target (ST)** - Connects to Master Target only via app



1. ON-OFF Slider Switch

3. Target Area

5. Standard Camera Thread Mounts

2. Target Type LED

4. Battery Compartment

### ON-OFF Slider Switch

Slide the switch in an upward direction to turn on the target and slide down to turn off.

## Target Type LED

When target turns on, the LED is used to identify the target type. The following table indicates the target type based on the LED colour.

Target	LED Color
MT	Red
ST	Green

**Note:** On the Master Target, the Type LED blinks until it has established a connection with your Wi-Fi router.

## Target Area

Target area consist of LEDs which blink or remains steady in various stages such as registering in the app, connecting with Wi-Fi router, Cloud, and Smart Targets. Use the table below to determine current status of your target.

Target Area LED Color		
Target Type	LED Color	Description
MT	Blue Blinking	Indicates target is turned on and waiting for direction from the app via Wi-Fi router
	Green Blinking	Indicates target has registered in the app and waiting for cloud connection
	Yellow	Indicates the battery is low
	Off/Type LED on	Indicates target has connected to cloud
ST	Blue Blinking	Indicates target is just turned on and waiting to get registered in the app via MT
	Green Blinking	Indicates target is in registration process in the app via MT
	Yellow	Indicates the battery is low
	Off/Type LED on	Indicates target has registered

## Battery Compartment

The battery compartment is used to provide power to the target using 4 x AA batteries.

**Note:** Batteries are not included in the package.

## Mounting Points

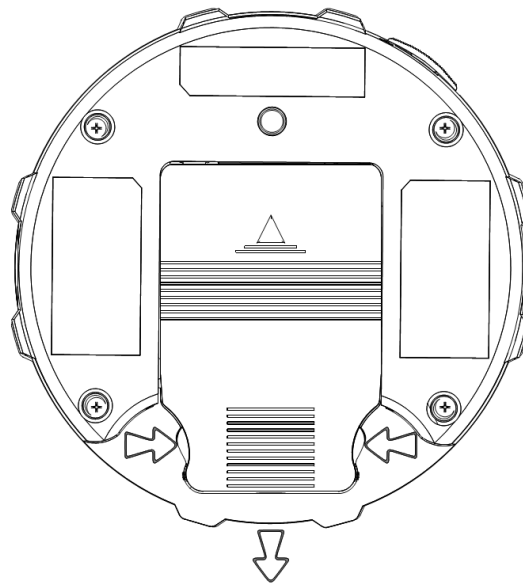
Target contains three mounting points, one on the back side and one on each side, for mounting via standard camera mounts.

## iOS and Android App

IoTargeting™ requires an iOS or Android app which can be downloaded and installed from the Google Play or the App Store.

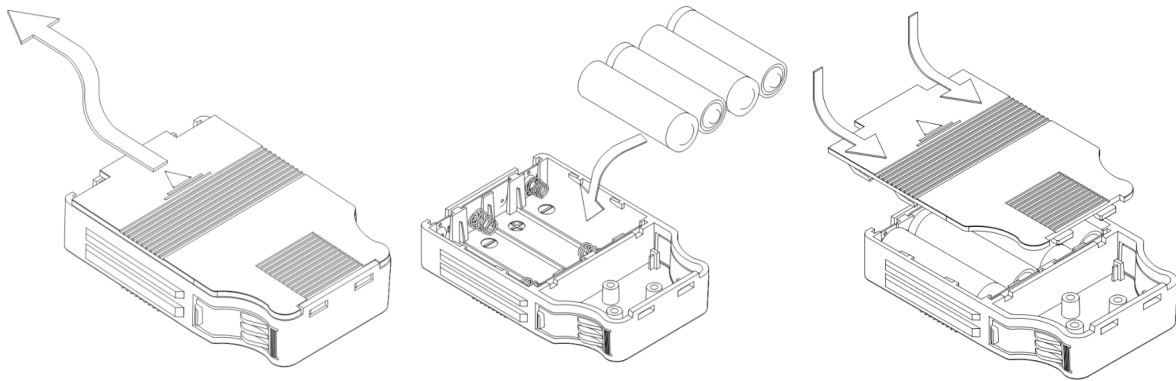
## Setup the Target

1. Remove the battery pack from the back of the target

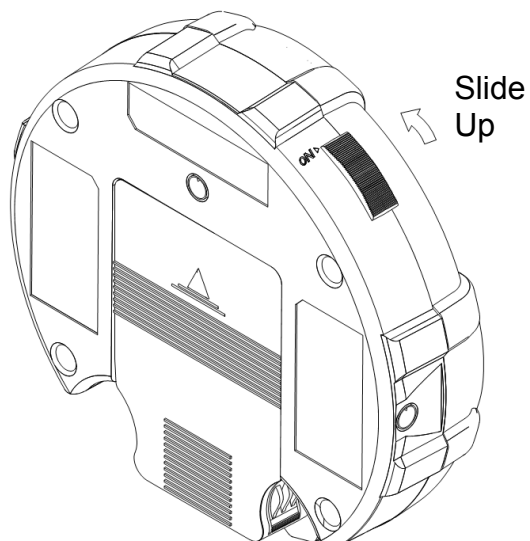


Press and Pull

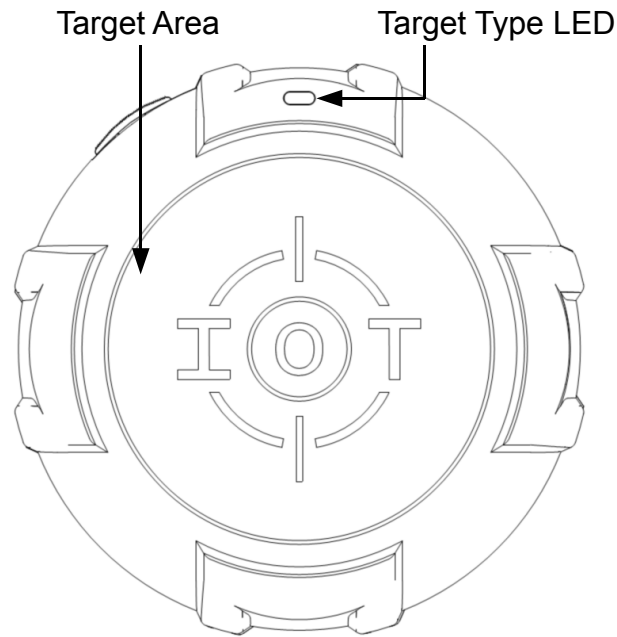
2. Remove the cover, install 4 x AA batteries and insert the cover



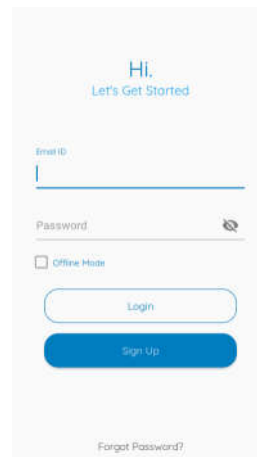
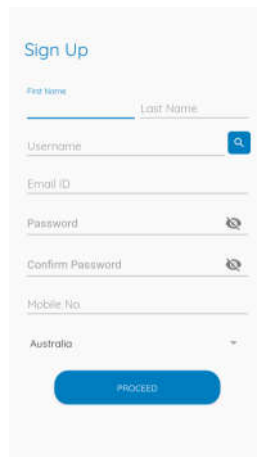
3. Insert the battery pack into the target. Turn on the target by sliding On/Off switch in an upward direction



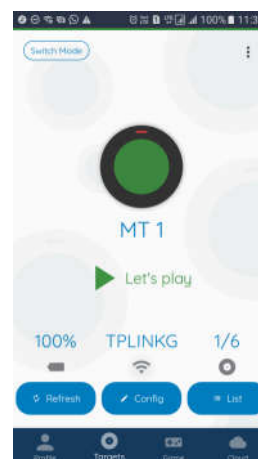
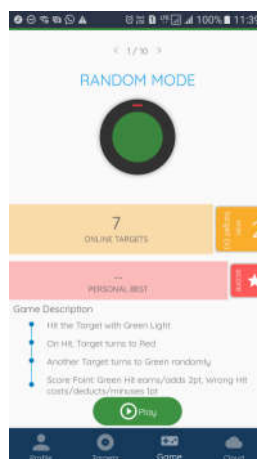
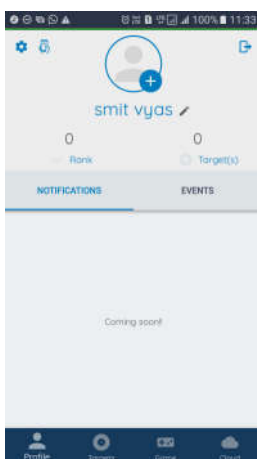
4. Target area will start blinking along with the target type LED until successful registration with the app



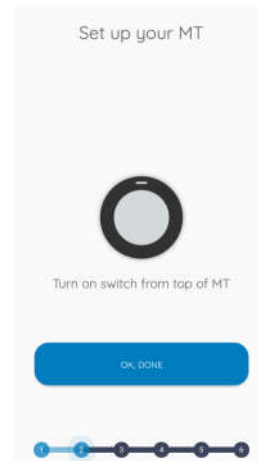
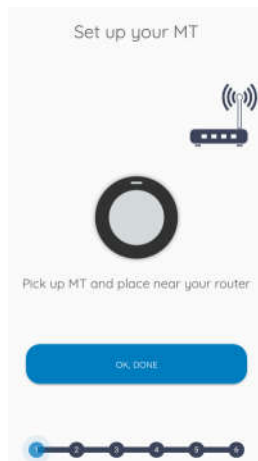
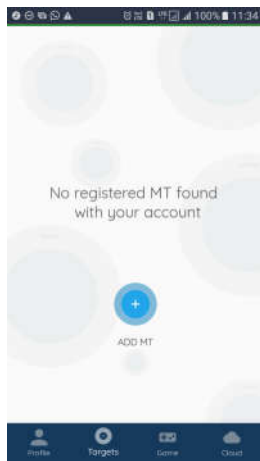
5. Download and open the IoTargeting™ app on your smart phone or tablet. It will display the login page where first time users will need to create an account. Tap Sign Up to create an account. Once an account has been created, login to continue using the app



6. After logging in, the app will display the user profile page where you can register your new targets, update your profile, play games and do much more



7. Tap on “Targets”, then tap on “ADD MT”, follow setup prompts on the app to register your targets



8. Place targets in a safe location for game play

## Support

For any queries or support, contact us at [www.iotargeting.com](http://www.iotargeting.com).

This device complies with part 15 of the FCC Rules. Operation is subject to the following two conditions:

- (1) This device may not cause harmful interference
- (2) this device must accept any interference received, including interference that may cause undesired operation.

© 2017 IoTargeting Inc. All rights reserved.

## **FCC statement**

This device complies with Part 15 of the FCC Rules: Operation is subject to the following two conditions:

1. This device may not cause harmful interference and
2. This device must accept any interference that is received, including any interference that may cause undesired operation.

This device is acting as a master device itself and operating in the 2.4 GHz (2412 ~2462 MHz) band.

Ad Hoc function is supported but not able to operate on non-US frequencies.

**NOTE:** This equipment has been tested and found to comply with the limits for a Class B digital device, pursuant to part 15 of the FCC Rules. These limits are designed to provide reasonable protection against harmful interference in a residential installation. This equipment generates uses and can radiate radio frequency energy and, if not installed and used in accordance with the instructions, may cause harmful interference to radio communications. However, there is no guarantee that interference will not occur in a particular installation. If this equipment does cause harmful interference to radio or television reception, which can be determined by turning the equipment off and on, the user is encouraged to try to correct the interference by one or more of the following measures:

- Reorient or relocate the receiving antenna.
- Increase the separation between the equipment and receiver.
- Connect the equipment into an outlet on a circuit different from that to which the receiver is connected.
- Consult the dealer or an experienced radio/TV technician for help

### **FCC Radio Frequency Exposure Statement**

The device has been evaluated to meet general RF exposure requirements. The device can be used in fixed/mobile exposure conditions. The min separation distance is 20cm.

Changes or modifications to this unit not expressly approved by the party responsible for compliance could void the user's authority to operate the equipment.

This device complies with Industry Canada licence-exempt RSS standard(s).

Operation is subject to the following two conditions:

- (1) this device may not cause interference
- (2) this device must accept any interference, including interference that may cause undesired operation of the device.

Le présent appareil est conforme aux CNR d'Industrie Canada applicables aux appareils radio exempts de licence. L'exploitation est autorisée aux deux conditions suivantes :

- (1) l'appareil ne doit pas produire de brouillage, et
- (2) l'utilisateur de l'appareil doit accepter tout brouillage radioélectrique subi, même si le brouillage est susceptible d'en compromettre le fonctionnement.

Radio Frequency Exposure Statement for IC

The device has been evaluated to meet general RF exposure requirements.

The device can be used in fixed/mobile exposure conditions. The min separation distance is 20cm.