



Test report

versions : V1.0

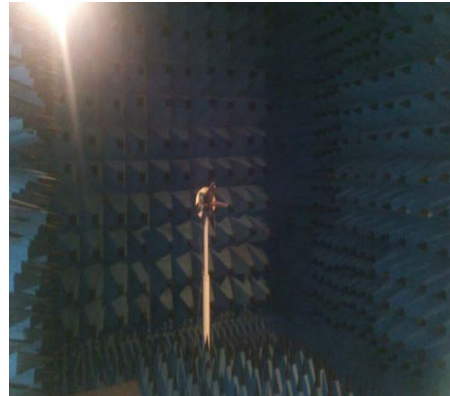
Shenzhen Zhongtianxun Communication Technology Co. Ltd			
radio-frequency	Xie enyuan 187186853	structure	Hu xiaoliang 181 2097 1171
audit		operation	Zhang wumin 159 1403 8427
Address	No. 34 Shilong Avenue, Shiyan Street, Bao'an District, Shenzhen		
project information			
project name	N910-WIFI	Model	POS
Antenna type	PCB	Solution Company	
Antenna system		Date	2023-9-7
notes:			

Add: No. 34 Shilong Avenue, Shiyan Street, Bao'an District, Shenzhen
TEL:0755-27588360 /27572127 FAX:0755-27588320
Website:www.chinaztx.com

Directory

- ◇ R&D equipment
- ◇ Explanation of nouns
- ◇ Test data
- ◇ Matching circuit
- ◇ Assembly instructions
- ◇ Summary

R&D equipment



The company has one set of Satimo SG24 OTA testing system, the most advanced in the communication industry in France , 2 sets of ETS OTA standard testing system , Bluetest reverberation darkroom 1 set , 1 set of MicroPross NFC testing system , Can provide customers with accurate testing reports quickly and stably , Fully compliant with CITA standards , Support active passive testing of various standards such as GSM/CDMA/WCDMA/TD/LTE/WIFI/BT/GPS/MIMO.

The MicroPross NFC system can meet the testing requirements of various operators , Perform rapid performance testing on NFC devices and output formal certification test reports.

Explanation of nouns

dBi	Decibel relative isotropic antenna
Tx	Transmit frequency
Rx	Receive frequency
TRP	Total Radiated Power
TIS	Total Isotropic Sensitivity
VSWR	Voltage Standing Wave Ratio
GSM	Global Service for Mobile communication
DCS	Digital Communication System
PCS	Personal Communication System
PHS	Personal Handy-phone System
SAR	Specific Absorption Rate
PCB	Printed Circuit Board
CDMA	Code Division Multiple Access
WCDMA	Wideband Code Division Multiple Access
LTE	Long Term Evolution

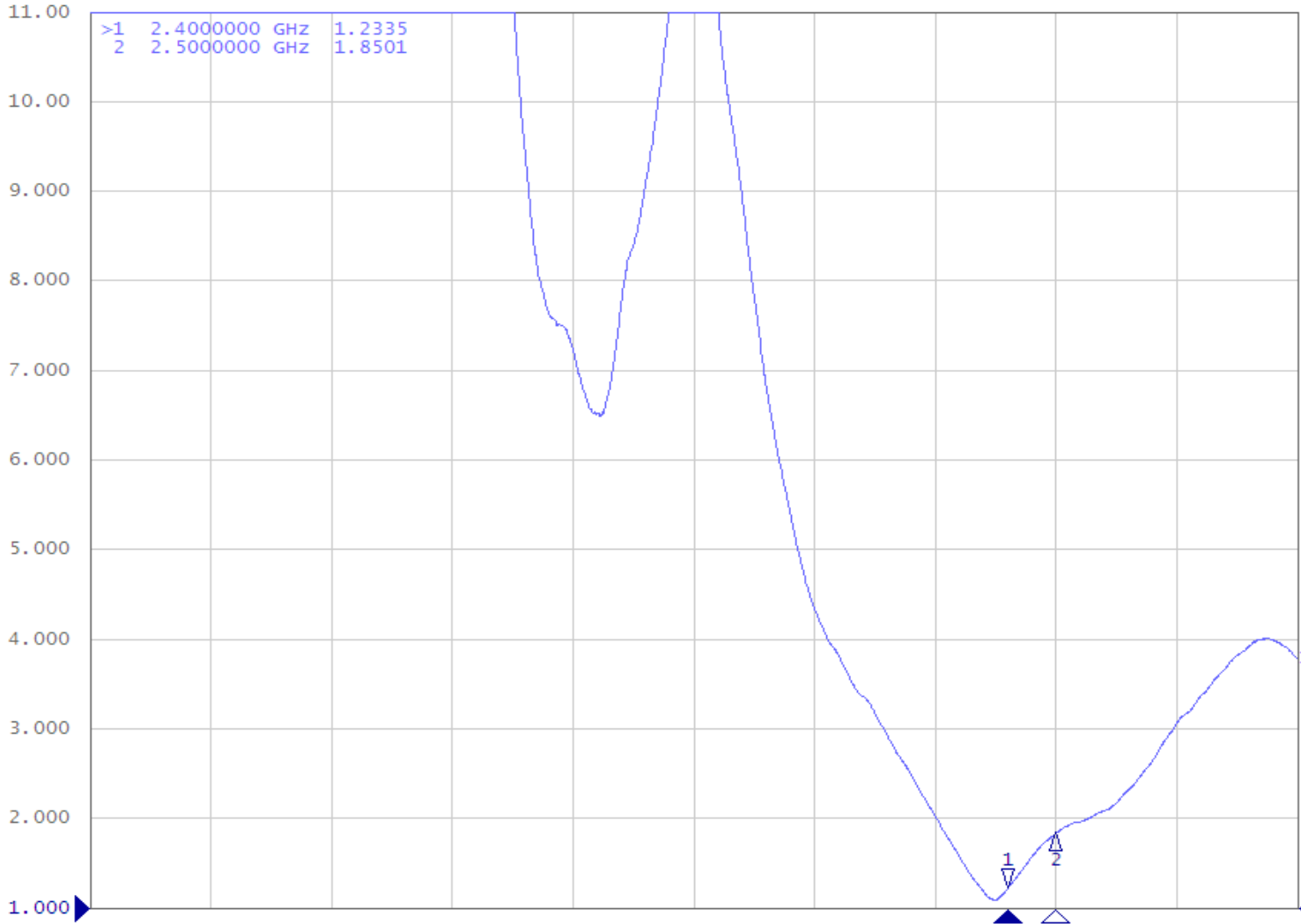
Standing wave diagram

E5071C Network Analyzer

1 Active Ch/Trace 2 Response 3 Stimulus 4 Mkr/Analysis 5 Instr State

Resize

▶ Tr1 S11 SWR 1.000/ Ref 1.000 [F1 M]



1 Start 500 MHz

IFBW 70 kHz

Stop 3 GHz PExt Cor

Meas Stop ExtRef Svc 2023-09-07 16:27

Display

Allocate Channels

Num of Traces
2

Allocate Traces

Display Mem

Data -> Mem

Data Math
OFF

Data Hold
Off

Equation Editor...

Equation
OFF

Edit Title Label

Title Label
OFF

Graticule Label
ON

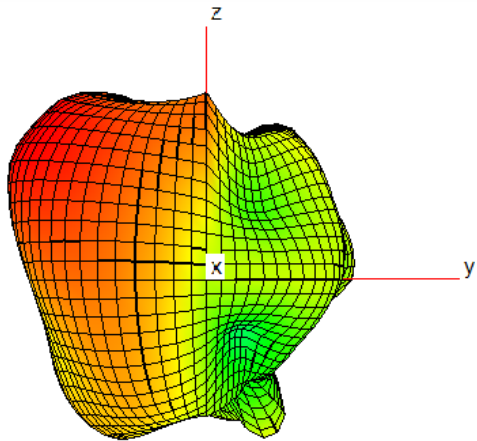
Invert Color
ON

Passive efficiency data

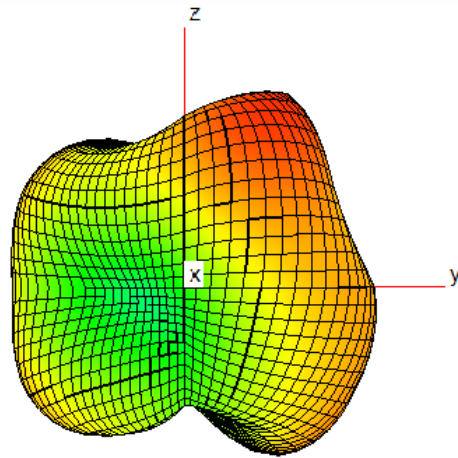
chNo	Freq	Gain	Efficiency_Pcent
1	2400	1.353449427	63.79016083
2	2410	1.541192938	66.57009098
3	2420	1.524375327	69.38341969
4	2430	1.287414794	69.0971675
5	2440	0.972231814	65.96208778
6	2450	1.075681489	67.67064162
7	2460	0.978523865	67.51884172
8	2470	0.961508976	68.17714506
9	2480	0.874914565	66.13047771
10	2490	0.738060728	64.82948643
11	2500	0.822665957	65.15350075

Radiation pattern

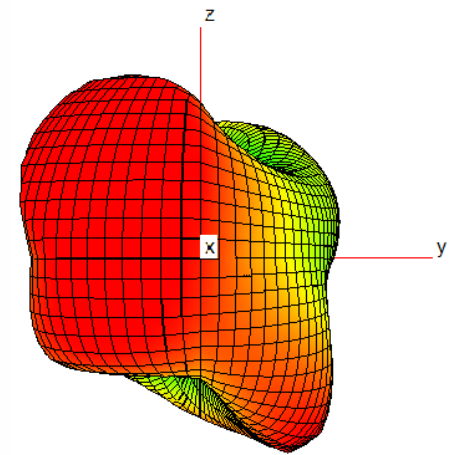
2400MHZ



2450MHZ

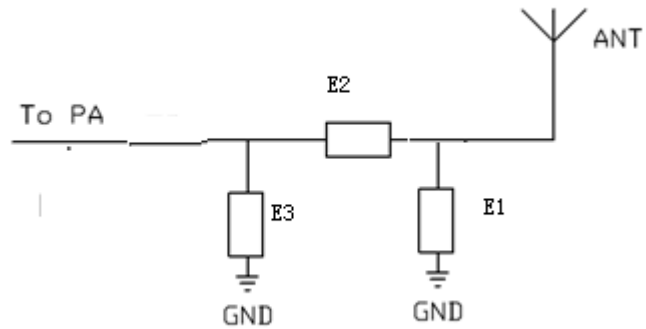


2500MHZ



Matching instructions

Matching structure



Matching instructions	Wifi
E1	NC
E2	0 Ω
E3	NC



Thanks !

Add: No. 34 Shilong Avenue, Shiyan Street, Bao'an District, Shenzhen
TEL:0755-27588360 /27572127 FAX:0755-27588320
Website:www.chinaztx.com