

TEST REPORT

FCC ID: 2AM6L-M1NTKH

Product: MDVR

Model No.: M1N-TKH0401

Additional Model No.: N/A

Trade Mark: N/A

Report No.: TCT210423E045

Issued Date: May 26, 2021

Issued for:

Streamax Technology Co., Ltd.

**21-23/F, Building B1, Zhiyuan, No. 1001, Xueyuan Avenue, Nanshan District,
Shenzhen, Guangdong, 518055 China**

Issued By:

Shenzhen Tongce Testing Lab

**TCT Testing Industrial Park, Fuqiao 5th Industrial Zone, Fuhai Street, Bao'an
District, Shenzhen, Guangdong, 518103, People's Republic of China**

TEL: +86-755-27673339

FAX: +86-755-27673332

Note: This report shall not be reproduced except in full, without the written approval of Shenzhen Tongce Testing Lab.

This document may be altered or revised by Shenzhen Tongce Testing Lab personnel only, and shall be noted in the revision section of the document. The test results in the report only apply to the tested sample.

TABLE OF CONTENTS

1. Test Certification..... 3

2. Test Result Summary 4

3. EUT Description 5

4. General Information..... 9

 4.1. Test environment and mode..... 9

 4.2. Test Mode..... 13

 4.3. Description of Support Units..... 17

 4.4. Configuration of Tested System 17

 4.5. Measurement Results Explanation Example..... 17

5. Facilities and Accreditations 18

 5.1. Facilities 18

 5.2. Location 18

 5.3. Measurement Uncertainty..... 18

6. Test Results and Measurement Data 19

 6.1. Effective Radiated Power and Effective Isotropic Radiated Power Measurement 19

 6.2. Peak to Average Ratio..... 21

 6.3. 99% Occupied Bandwidth and 26dB Bandwidth Measurement 22

 6.4. Band Edge and Conducted Spurious Emission Measurement 23

 6.5. Field Strength of Spurious Radiation Measurement 25

 6.6. Frequency Stability Measurement 45

Appendix A: Photographs of Test Setup

Appendix B: Photographs of EUT

**Test Data: Refer to Appendix For LTE Band 2, Appendix For LTE Band 4,
Appendix For LTE Band 5, Appendix For LTE Band 12,
Appendix For LTE Band 13, Appendix For LTE Band 14,
Appendix For LTE Band 66 and Appendix For LTE Band 71**

1. Test Certification

Product:	MDVR
Model No.:	M1N-TKH0401
Additional Model No.:	N/A
Trade Mark:	N/A
Applicant:	Streamax Technology Co., Ltd.
Address:	21-23/F, Building B1, Zhiyuan, No. 1001, Xueyuan Avenue, Nanshan District, Shenzhen, Guangdong, 518055 China
Manufacturer:	Streamax Technology Co., Ltd.
Address:	21-23/F, Building B1, Zhiyuan, No. 1001, Xueyuan Avenue, Nanshan District, Shenzhen, Guangdong, 518055 China
Date of Test:	Apr. 26, 2021 – May 25, 2021
Applicable Standards:	FCC CFR Title 47 Part 2 FCC CFR Title 47 Part22 FCC CFR Title 47 Part24 FCC CFR Title 47 Part27 FCC CFR Title 47 Part90

The above equipment has been tested by Shenzhen Tongce Testing Lab and found compliance with the requirements set forth in the technical standards mentioned above. The results of testing in this report apply only to the product/system, which was tested. Other similar equipment will not necessarily produce the same results due to production tolerance and measurement uncertainties.

Tested By:

Brews Xu

Date:

May 25, 2021

Brews Xu

Reviewed By:

Berry Zhao

Date:

May 26, 2021

Berry Zhao

Approved By:



Tomsin

Date:

May 26, 2021

2. Test Result Summary

Requirement	CFR 47 Section	Result
Conducted Output Power	§2.1046; §22.913; §24.232(c); §27.50(d); §27.50(c); §27.50(b); §90.542(a)	PASS
Peak-to-Average Ratio	§2.1046; §24.232(d) §27.50(d); §27.50(c); §27.50(b);	PASS
Effective Radiated Power	§2.1046; §22.913; §24.232(c); §27.50(d); §27.50(c); §27.50(b); §90.542(a)	PASS
Equivalent Isotropic Radiated Power	§2.1046; §22.913; §24.232(c); §27.50(d); §27.50(c); §27.50(b); §90.542(a)	PASS
Occupied Bandwidth	§2.1049; §24.238(b); §27.53; §90.209(a)	PASS
Band Edge	§2.1051; §22.917(a); §27.53(h); §27.53(c); §27.53(g); §24.238(a); §90.543(e)	PASS
Conducted Spurious Emission	§2.1051; §22.917(a); §27.53(h); §27.53(g); §27.53(c); §24.238(a); §90.543(c)	PASS
Field Strength of Spurious Radiation	§2.1053; §22.917(a); §27.53(g); §27.53(c); §27.53(h); §24.238(a); §90.543(c)	PASS
Frequency Stability for Temperature & Voltage	§2.1055; §22.355; §27.54; §24.235; §90.213	PASS

Note:

1. PASS: Test item meets the requirement.
2. Fail: Test item does not meet the requirement.
3. N/A: Test case does not apply to the test object.
4. The test result judgment is decided by the limit of test standard.

3. EUT Description

Product:	MDVR
Model No.:	M1N-TKH0401
Additional Model No.:	N/A
Trade Mark:	N/A
Tx Frequency:	LTE Band 2: 1850 MHz ~ 1910 MHz LTE Band 4: 1710 MHz ~ 1755 MHz LTE Band 5: 824 MHz ~ 849 MHz LTE Band 12: 699 MHz ~ 716 MHz LTE Band 13: 777 MHz ~ 787 MHz LTE Band 14: 788 MHz ~ 798 MHz LTE Band 66: 1710 MHz ~ 1780 MHz LTE Band 71: 663 MHz ~ 698 MHz
Rx Frequency:	LTE Band 2: 1930 MHz ~ 1990 MHz LTE Band 4: 2110 MHz ~ 2155 MHz LTE Band 5: 869 MHz ~ 894 MHz LTE Band 12: 729 MHz ~ 746 MHz LTE Band 13: 746 MHz ~ 756 MHz LTE Band 14: 758 MHz ~ 768 MHz LTE Band 66: 2110 MHz ~ 2180 MHz LTE Band 71: 617 MHz ~ 652 MHz
Bandwidth:	LTE Band 2: 1.4MHz /3MHz /5MHz /10MHz /15MHz /20MHz LTE Band 4: 1.4MHz /3MHz /5MHz /10MHz /15MHz /20MHz LTE Band 5: 1.4MHz /3MHz /5MHz /10MHz LTE Band 12: 1.4MHz /3MHz /5MHz /10MHz LTE Band 13: 5MHz /10MHz LTE Band 14: 5MHz /10MHz LTE Band 66: 1.4MHz /3MHz /5MHz /10MHz /15MHz /20MHz LTE Band 71: 5MHz /10MHz /15MHz /20MHz
Maximum Output Power to Antenna:	LTE Band 2: 23.67dBm LTE Band 4: 23.38dBm LTE Band 5: 23.07dBm LTE Band 12: 23.93dBm LTE Band 13: 24.15dBm LTE Band 14: 24.28dBm LTE Band 66: 23.33dBm LTE Band 71: 23.44dBm
99% Occupied Bandwidth:	LTE Band 2: 17M8G7D LTE Band 4: 17M8G7D LTE Band 5: 8M95G7D LTE Band 12: 8M97G7D LTE Band 13: 8M95G7D LTE Band 14: 8M96G7D

	LTE Band 66: 17M9G7D LTE Band 71: 17M9G7D
Type of Modulation:	QPSK/16QAM
Antenna Type:	Internal Antenna
Antenna Gain:	LTE Band 2: 0.54dBi LTE Band 4: 1.27dBi LTE Band 5: 1.9dBi LTE Band 12: 2.01dBi LTE Band 13: 1.02dBi LTE Band 14: 1.99dBi LTE Band 66: 1.27dBi LTE Band 71: 0.57dBi
Power Supply:	DC 12V

Note: The antenna gain listed in this report is provided by applicant, and the test laboratory is not responsible for this parameter.

Emission Designator

LTE Band 2		QPSK		16QAM	
BW(MHz)	Emission Designator (99%OBW)	Maximum EIRP(W)	Emission Designator (99%OBW)	Maximum EIRP(W)	
1.4	1M08G7D	0.264	1M08W7D	0.198	
3	2M69G7D	0.230	2M68W7D	0.188	
5	4M47G7D	0.225	4M48W7D	0.166	
10	8M93G7D	0.240	8M93W7D	0.197	
15	13M4G7D	0.228	13M4W7D	0.173	
20	17M8G7D	0.222	17M8W7D	0.207	
LTE Band 4		QPSK		16QAM	
BW(MHz)	Emission Designator (99%OBW)	Maximum EIRP(W)	Emission Designator (99%OBW)	Maximum EIRP(W)	
1.4	1M08G7D	0.279	1M08W7D	0.242	
3	2M69G7D	0.276	2M69W7D	0.211	
5	4M48G7D	0.282	4M48W7D	0.219	
10	8M93G7D	0.292	8M92W7D	0.211	
15	13M4G7D	0.273	13M4W7D	0.212	
20	17M8G7D	0.273	17M8W7D	0.236	
LTE Band 5		QPSK		16QAM	
BW(MHz)	Emission Designator (99%OBW)	Maximum ERP(W)	Emission Designator (99%OBW)	Maximum ERP(W)	
1.4	1M08G7D	0.191	1M08W7D	0.152	
3	2M69G7D	0.179	2M69W7D	0.132	
5	4M48G7D	0.182	4M48W7D	0.133	
10	8M95G7D	0.187	8M93W7D	0.152	
LTE Band 12		QPSK		16QAM	
BW(MHz)	Emission Designator (99%OBW)	Maximum ERP(W)	Emission Designator (99%OBW)	Maximum ERP(W)	
1.4	1M09G7D	0.239	1M09W7D	0.188	
3	2M70G7D	0.237	2M68W7D	0.191	
5	4M50G7D	0.228	4M51W7D	0.178	
10	8M97G7D	0.228	8M96W7D	0.195	

LTE Band 13		QPSK		16QAM	
BW(MHz)	Emission Designator (99%OBW)	Maximum ERP(W)	Emission Designator (99%OBW)	Maximum ERP(W)	
5	4M50G7D	0.194	4M51W7D	0.149	
10	8M95G7D	0.200	8M95W7D	0.154	
LTE Band 14		QPSK		16QAM	
BW(MHz)	Emission Designator (99%OBW)	Maximum ERP(W)	Emission Designator (99%OBW)	Maximum ERP(W)	
5	4M50G7D	0.246	4M51W7D	0.189	
10	8M96G7D	0.258	8M94W7D	0.230	
LTE Band 66		QPSK		16QAM	
BW(MHz)	Emission Designator (99%OBW)	Maximum EIRP(W)	Emission Designator (99%OBW)	Maximum EIRP(W)	
1.4	1M09G7D	0.278	1M09W7D	0.220	
3	2M70G7D	0.264	2M69W7D	0.217	
5	4M50G7D	0.268	4M50W7D	0.218	
10	8M97G7D	0.288	8M97W7D	0.255	
15	13M4G7D	0.266	13M4W7D	0.239	
20	17M9G7D	0.275	17M9W7D	0.235	
LTE Band 71		QPSK		16QAM	
BW(MHz)	Emission Designator (99%OBW)	Maximum ERP(W)	Emission Designator (99%OBW)	Maximum ERP(W)	
5	4M50G7D	0.148	4M51W7D	0.116	
10	8M96G7D	0.153	8M96W7D	0.121	
15	13M5G7D	0.143	13M5W7D	0.137	
20	17M9G7D	0.150	17M9W7D	0.126	

4. General Information

4.1. Test environment and mode

Operating Environment:	
Temperature:	25.0 °C
Humidity:	56 % RH
Atmospheric Pressure:	1010 mbar
Test Mode:	
Operation mode:	Keep the EUT in continuous transmitting with modulation

The sample was placed 0.8m above the ground plane of 3m chamber. Measurements in both horizontal and vertical polarities were performed. During the test, each emission was maximized by: having the EUT continuously working, investigated all operating modes, rotated about all 3 axis (X, Y & Z) and considered typical configuration to obtain worst position, manipulating interconnecting cables, rotating the turntable, varying antenna height from 1m to 4m in both horizontal and vertical polarizations. The emissions worst-case are shown in Test Results of the following pages.

Description Operation Frequency

LTE Band 2(1.4MHz)		LTE Band 2(3MHz)	
Channel	Frequency (MHz)	Channel	Frequency (MHz)
18607	1850.7	18615	1851.5
18900	1880	18900	1880
19193	1909.3	19185	1908.5
LTE Band 2(5MHz)		LTE Band 2(10MHz)	
Channel	Frequency (MHz)	Channel	Frequency (MHz)
18625	1852.5	18650	1855
18900	1880	18900	1880
19175	1907.5	19150	1905
LTE Band 2(15MHz)		LTE Band 2(20MHz)	
Channel	Frequency (MHz)	Channel	Frequency (MHz)
18675	1857.5	18700	1860
18900	1880	18900	1880
19125	1902.5	19100	1900

LTE Band 4(1.4MHz)		LTE Band 4(3MHz)	
Channel	Frequency (MHz)	Channel	Frequency (MHz)
19957	1710.7	19965	1711.5
20175	1732.5	20175	1732.5
20393	1754.3	20385	1753.5
LTE Band 4(5MHz)		LTE Band 4(10MHz)	
Channel	Frequency (MHz)	Channel	Frequency (MHz)
19975	1712.5	20000	1715
20175	1732.5	20175	1732.5
20375	1752.5	20350	1750
LTE Band 4(15MHz)		LTE Band 4(20MHz)	
Channel	Frequency (MHz)	Channel	Frequency (MHz)
20025	1717.5	20050	1720
20175	1732.5	20175	1732.5
20325	1747.5	20300	1745

LTE Band 5(1.4MHz)		LTE Band 5(3MHz)	
Channel	Frequency (MHz)	Channel	Frequency (MHz)
20407	824.7	20415	825.5
20525	836.5	20525	836.5
20643	848.3	20635	847.5
LTE Band 5(5MHz)		LTE Band 5(10MHz)	
Channel	Frequency (MHz)	Channel	Frequency (MHz)
20425	826.5	20450	829
20525	836.5	20525	836.5
20625	846.5	20600	844

LTE Band 12(1.4MHz)		LTE Band 12(3MHz)	
Channel	Frequency (MHz)	Channel	Frequency (MHz)
23017	699.7	23025	700.5
23095	707.5	23095	707.5
23173	715.3	23165	714.5
LTE Band 12(5MHz)		LTE Band 12(10MHz)	
Channel	Frequency (MHz)	Channel	Frequency (MHz)
23035	701.5	23060	704
23095	707.5	23095	707.5
23155	713.5	23130	711

LTE Band 13(5MHz)		LTE Band 13(10MHz)	
Channel	Frequency (MHz)	Channel	Frequency (MHz)
23205	779.5	23230	782
23230	782	23230	782
23255	784.5	23230	782

LTE Band 14(5MHz)		LTE Band 14(10MHz)	
Channel	Frequency (MHz)	Channel	Frequency (MHz)
23305	790.5	23330	793
23330	793	23330	793
23355	795.5	23330	793

LTE Band 66(1.4MHz)		LTE Band 66(3MHz)	
Channel	Frequency (MHz)	Channel	Frequency (MHz)
131979	1710.7	131987	1711.5
132322	1745	132322	1745
132665	1779.3	132657	1778.5
LTE Band 66(5MHz)		LTE Band 66(10MHz)	
Channel	Frequency (MHz)	Channel	Frequency (MHz)
131997	1712.5	132022	1715
132322	1745	132322	1745
132647	1777.5	132622	1775
LTE Band 66(15MHz)		LTE Band 66(20MHz)	
132047	1717.5	132072	1720
132322	1745	132322	1745
132597	1772.5	132572	1770

LTE Band 71(5MHz)		LTE Band 71(10MHz)	
Channel	Frequency (MHz)	Channel	Frequency (MHz)
133147	665.5	133172	668
133297	680.5	133297	680.5
133447	695.5	133422	693
LTE Band 71(15MHz)		LTE Band 71(20MHz)	
133197	670.5	133222	673
133297	680.5	133322	683
133397	690.5	133372	688

4.2. Test Mode

All modes and data rates and positions were investigated.

Test modes are chosen to be reported as the worst case configuration below:

Test Mode		
Band	Radiated TCs	Conducted TCs
LTE Band 2	QPSK Link (1.4MHz / 3MHz / 5MHz / 10MHz / 15MHz / 20MHz)	16QAM Link (1.4MHz / 3MHz / 5MHz / 10MHz / 15MHz / 20MHz)
LTE Band 4	QPSK Link (1.4MHz / 3MHz / 5MHz / 10MHz / 15MHz / 20MHz)	16QAM Link (1.4MHz / 3MHz / 5MHz / 10MHz / 15MHz / 20MHz)
LTE Band 5	QPSK Link (1.4MHz / 3MHz / 5MHz / 10MHz)	16QAM Link (1.4MHz / 3MHz / 5MHz / 10MHz)
LTE Band 12	QPSK Link (1.4MHz / 3MHz / 5MHz / 10MHz)	16QAM Link (1.4MHz / 3MHz / 5MHz / 10MHz)
LTE Band 13	QPSK Link (5MHz / 10MHz)	16QAM Link (5MHz / 10MHz)
LTE Band 14	QPSK Link (5MHz / 10MHz)	16QAM Link (5MHz / 10MHz)
LTE Band 66	QPSK Link (1.4MHz / 3MHz / 5MHz / 10MHz / 15MHz / 20MHz)	16QAM Link (1.4MHz / 3MHz / 5MHz / 10MHz / 15MHz / 20MHz)
LTE Band 71	QPSK Link (5MHz / 10MHz / 15MHz / 20MHz)	16QAM Link (5MHz / 10MHz / 15MHz / 20MHz)

Antenna port conducted and radiated test items were performed according to KDB 971168 D01 Power Meas License Digital Systems v03 with maximum output power.

Radiated measurements were performed with rotating EUT in different three orthogonal test planes to find the maximum emission.

Test Items	Band	Bandwidth (MHz)						Modulation		RB #			Test Channel		
		1.4	3	5	10	15	20	QPSK	16QAM	1	Half	Full	L	M	H
Max. Output Power	2	v	v	v	v	v	v	v	v	v	v	v	v	v	v
	4	v	v	v	v	v	v	v	v	v	v	v	v	v	v
	5	v	v	v	v	-	-	v	v	v	v	v	v	v	v
	12	v	v	v	v	-	-	v	v	v	v	v	v	v	v
	13	-	-	v	v	-	-	v	v	v	v	v	v	v	v
	14	-	-	v	v	-	-	v	v	v	v	v	v	v	v
	66	v	v	v	v	v	v	v	v	v	v	v	v	v	v
	71	-	-	v	v	v	v	v	v	v	v	v	v	v	v
Peak-to-Average Ratio	2	v	v	v	v	v	v	v	v	v	v	v	v	v	v
	4	v	v	v	v	v	v	v	v	v	v	v	v	v	v
	5	v	v	v	v	-	-	v	v	v	v	v	v	v	v
	12	v	v	v	v	-	-	v	v	v	v	v	v	v	v
	13	-	-	v	v	-	-	v	v	v	v	v	v	v	v
	14	-	-	v	v	-	-	v	v	v	v	v	v	v	v
	66	v	v	v	v	v	v	v	v	v	v	v	v	v	v
	71	-	-	v	v	v	v	v	v	v	v	v	v	v	v
26dB and 99% Bandwidth	2	v	v	v	v	v	v	v	v	v	v	v	v	v	v
	4	v	v	v	v	v	v	v	v	v	v	v	v	v	v
	5	v	v	v	v	-	-	v	v	v	v	v	v	v	v
	12	v	v	v	v	-	-	v	v	v	v	v	v	v	v
	13	-	-	v	v	-	-	v	v	v	v	v	v	v	v
	14	-	-	v	v	-	-	v	v	v	v	v	v	v	v
	66	v	v	v	v	v	v	v	v	v	v	v	v	v	v
	71	-	-	v	v	v	v	v	v	v	v	v	v	v	v

Test Items	Band	Bandwidth (MHz)						Modulation		RB #			Test Channel		
		1.4	3	5	10	15	20	QPSK	16QAM	1	Half	Full	L	M	H
Conducted Band Edge	2	v	v	v	v	v	v	v	v	v	v	v	v	-	v
	4	v	v	v	v	v	v	v	v	v	v	v	v	-	v
	5	v	v	v	v	-	-	v	v	v	v	v	v	-	v
	12	v	v	v	v	-	-	v	v	v	v	v	v	v	v
	13	-	-	v	v	-	-	v	v	v	v	v	v	v	v
	14	-	-	v	v	-	-	v	v	v	v	v	v	-	v
	66	v	v	v	v	v	v	v	v	v	v	v	v	-	v
	71	-	-	v	v	v	v	v	v	v	v	v	v	-	v
Conducted Spurious Emission	2	v	v	v	v	v	v	v	v	v	-	-	v	v	v
	4	v	v	v	v	v	v	v	v	v	-	-	v	v	v
	5	v	v	v	v	-	-	v	v	v	-	-	v	v	v
	12	v	v	v	v	-	-	v	v	v	v	v	v	v	v
	13	-	-	v	v	-	-	v	v	v	v	v	v	v	v
	14	-	-	v	v	-	-	v	v	v	-	-	v	v	v
	66	v	v	v	v	v	v	v	v	v	-	-	v	v	v
	71	-	-	v	v	v	v	v	v	v	-	-	v	v	v
Frequency Stability	2	v	-	-	-	-	-	v	v	v	-	-	v	v	v
	4	v	-	-	-	-	-	v	v	v	-	-	v	v	v
	5	v	-	-	-	-	-	v	v	v	-	-	v	v	v
	12	v	-	-	-	-	-	v	v	v	-	-	v	v	v
	13	-	-	v	-	-	-	v	v	v	-	-	v	v	v
	14	-	-	v	-	-	-	v	v	v	-	-	v	v	v
	66	v	-	-	-	-	-	v	v	v	-	-	v	v	v
	71	-	-	-	-	-	-	v	v	v	-	-	v	v	v
E.R.P./E.I.R.P.	2	v	v	v	v	v	v	v	v	v	v	v	v	v	v
	4	v	v	v	v	v	v	v	v	v	v	v	v	v	v
	5	v	v	v	v	-	-	v	v	v	v	v	v	v	v
	12	v	v	v	v	-	-	v	v	v	v	v	v	v	v
	13	-	-	v	v	-	-	v	v	v	v	v	v	v	v
	14	-	-	v	v	-	-	v	v	v	v	v	v	v	v
	66	v	v	v	v	v	v	v	v	v	v	v	v	v	v
	71	-	-	v	v	v	v	v	v	v	v	v	v	v	v
Radiated Spurious Emission	2	v	-	-	-	-	-	v	v	v	-	-	v	v	v
	4	v	-	-	-	-	-	v	v	v	-	-	v	v	v
	5	v	-	-	-	-	-	v	v	v	-	-	v	v	v

	12	v	-	-	-	-	-	v	v	v	-	-	v	v	v
	13	-	-	v	-	-	-	v	v	v	-	-	v	v	v
	14	-	-	v	-	-	-	v	v	v	-	-	v	v	v
	66	v	-	-	-	-	-	v	v	v	-	-	v	v	v
	71	-	-	-	-	-	-	v	v	v	-	-	v	v	v
Note	<p>1. The mark "v" means that this configuration is chosen for testing</p> <p>2. The mark "-" means that this bandwidth is not supported.</p>														

4.3. Description of Support Units

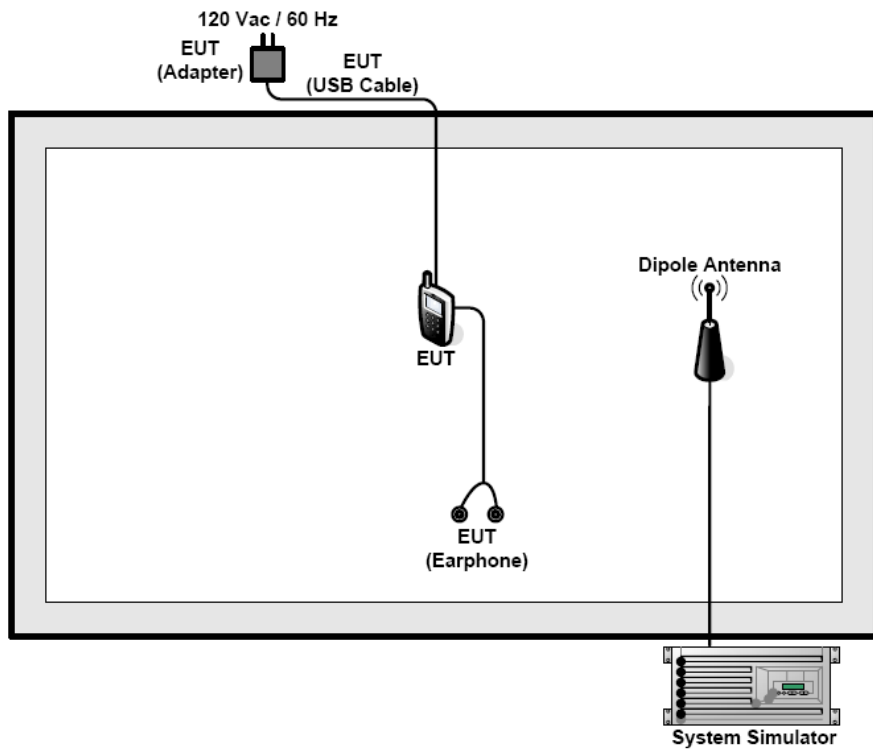
The EUT has been tested as an independent unit together with other necessary accessories or support units. The following support units or accessories were used to form a representative test configuration during the tests.

Equipment	Model No.	Serial No.	FCC ID	Trade Name
/	/	/	/	/

Note:

1. All the equipment/cables were placed in the worst-case configuration to maximize the emission during the test.
2. Grounding was established in accordance with the manufacturer's requirements and conditions for the intended use.

4.4. Configuration of Tested System



4.5. Measurement Results Explanation Example

For all conducted test items:

The offset level is set in the spectrum analyzer to compensate the RF cable loss and attenuator factor between RF conducted output port and spectrum analyzer. With the offset compensation, the spectrum analyzer reading level will be exactly the RF output level. The spectrum analyzer offset is derived from RF cable loss and attenuator factor.
 $Offset = RF\ cable\ loss + attenuator\ factor.$

5. Facilities and Accreditations

5.1. Facilities

The test facility is recognized, certified, or accredited by the following organizations:

- FCC - Registration No.: 645098

Shenzhen Tongce Testing Lab

Designation Number: CN1205

The 3m Semi-anechoic chamber has been registered and fully described in a report with the (FCC) Federal Communications Commission. The acceptance letter from the FCC is maintained in our files.

- IC - Registration No.: 10668A-1

CAB identifier: CN0031

The 3m Semi-anechoic chamber of SHENZHEN TONGCE TESTING LAB has been registered by Certification and Engineering Bureau of Industry Canada for radio equipment testing

5.2. Location

Shenzhen Tongce Testing Lab

Address: TCT Testing Industrial Park, Fuqiao 5th Industrial Zone, Fuhai Street, Bao'an District, Shenzhen, Guangdong, 518103, People's Republic of China

TEL: 86-755-27673339

5.3. Measurement Uncertainty

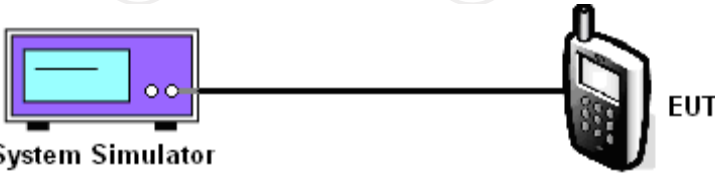
The reported uncertainty of measurement $y \pm U$, where expanded uncertainty U is based on a standard uncertainty multiplied by a coverage factor of $k=2$, providing a level of confidence of approximately 95 %.

No.	Item	MU
1	Conducted Emission	$\pm 2.56\text{dB}$
2	RF power, conducted	$\pm 0.12\text{dB}$
3	Spurious emissions, conducted	$\pm 0.11\text{dB}$
4	All emissions, radiated(<1G)	$\pm 3.92\text{dB}$
5	All emissions, radiated(>1G)	$\pm 4.28\text{dB}$
6	Temperature	$\pm 0.1^\circ\text{C}$
7	Humidity	$\pm 1.0\%$

6. Test Results and Measurement Data

6.1. Effective Radiated Power and Effective Isotropic Radiated Power Measurement

6.1.1. Test Specification

Test Requirement:	FCC part 27.50(c), FCC part 27.50(d) and FCC part 27.50(h), FCC part 24.232(c), FCC part 22.913;
Test Method:	FCC part 2.1046
Limit:	LTE Band 2: 2W LTE Band 4: 1W LTE Band 5: 7W LTE Band 12: 3W LTE Band 13: 3W LTE Band 14: 3W LTE Band 66: 1W LTE Band 71: 3W
Test Setup:	 <p>The diagram illustrates the test setup. On the left is a 'System Simulator' represented by a purple rectangular device with a screen and two buttons. A black line representing a cable connects the right side of the simulator to the left side of the 'EUT' (Equipment Under Test), which is depicted as a mobile phone.</p>
Test Procedure:	<ol style="list-style-type: none"> 1. The transmitter output port was connected to the system simulator. 2. Set EUT at maximum power through system simulator. 3. Select lowest, middle, highest channels for each band and different modulation. 4. Measure and record the power level from the system simulator. 5. Calculate the ERP and EIRP <p>The relevant equation for determining the ERP or EIRP from the conducted RF output power measured using the guidance provided above is:</p> $ERP \text{ or } EIRP = P_{Meas} + G_T - L_C$ <p>where:</p> <p>ERP or EIRP = effective radiated power or equivalent isotropically radiated power, respectively (expressed in the same units as P_{Meas}, typically dBW or dBm);</p> <p>P_{Meas} = measured transmitter output power or PSD, in dBm or dBW;</p> <p>G_T = gain of the transmitting antenna, in dBd (ERP) or</p>

	<p>dBi (EIRP);</p> <p>L_c = signal attenuation in the connecting cable between the transmitter and antenna, in dB.</p> <p><i>Note: For personal/portable radios utilizing an integral antenna, the factor L_c is typically negligible. However, in a fixed station transmit system that utilizes a long cable run between the transmitter and the transmitting antenna, this factor can be significant.</i></p>
Test Result:	PASS

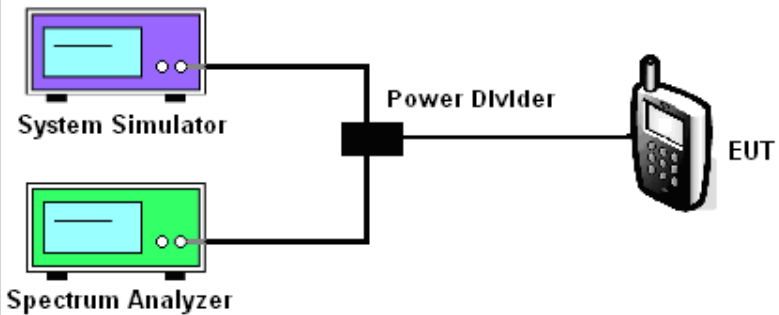
6.1.2. Test Instruments

Equipment	Manufacturer	Model	Serial Number	Calibration Due
Wideband Radio Communication Tester	R&S	CMW500	114220	Jul. 27, 2021
RF cable (9kHz-40GHz)	TCT	RE-05	N/A	Sep. 02, 2021
Antenna Connector	TCT	RFC-02	N/A	Sep. 02, 2021

Note: The calibration interval of the above test instruments is 12 months and the calibrations are traceable to international system unit (SI).

6.2. Peak to Average Ratio

6.2.1. Test Specification

Test Requirement:	FCC part 2.1046; 22.913; 24.232; 27.50(d); 27.50(c); 27.50(b)
Test Method:	FCC KDB 971168 D01v03
Limit:	The peak-to-average ratio (PAR) of the transmission may not exceed 13 dB.
Test Setup:	 <p>The diagram illustrates the test setup. A System Simulator (purple) and a Spectrum Analyzer (green) are connected to a central Power Divider. The Power Divider is then connected to the EUT (Equipment Under Test), represented by a mobile phone icon.</p>
Test Procedure:	<ol style="list-style-type: none"> 1. The testing follows FCC KDB 971168 D01v03 Section 5.7.1. 2. The EUT was connected to spectrum analyzer and system simulator via a power divider. 3. Set EUT to transmit at maximum output power. 4. Set the CCDF (Complementary Cumulative Distribution Function) option of the spectrum analyzer. <p>Record the maximum PAPR level associated with a probability of 0.1%.</p>
Test Result:	PASS

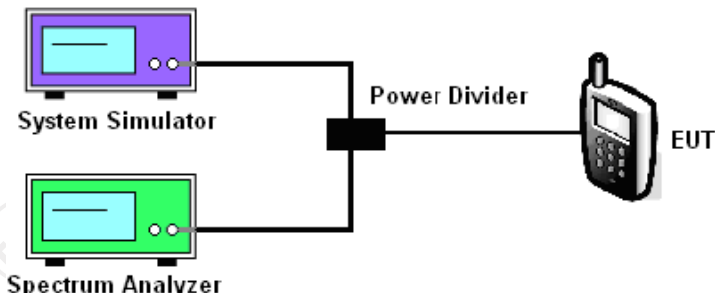
6.2.2. Test Instruments

Equipment	Manufacturer	Model	Serial Number	Calibration Due
Wideband Radio Communication Tester	R&S	CMW500	114220	Jul. 27, 2021
Spectrum Analyzer	Agilent	N9020A	MY49100619	Sep. 11, 2021
RF cable (9kHz-40GHz)	TCT	RE-05	N/A	Sep. 02, 2021
Antenna Connector	TCT	RFC-02	N/A	Sep. 02, 2021

Note: The calibration interval of the above test instruments is 12 months and the calibrations are traceable to international system unit (SI).

6.3. 99% Occupied Bandwidth and 26dB Bandwidth Measurement

6.3.1. Test Specification

Test Requirement:	FCC part 27.53(h)(3) and FCC part 27.53(m)(6), FCC part 24.238(b)
Test Method:	FCC part 2.1049
Limit:	N/A
Test Setup:	 <p>The diagram illustrates the test setup. On the left, there are two instruments: a System Simulator (top) and a Spectrum Analyzer (bottom). Both are connected to a central Power Divider. The Power Divider is then connected to the EUT (Equipment Under Test), which is represented by a mobile phone icon on the right.</p>
Test Procedure:	<ol style="list-style-type: none"> 1. The testing follows FCC KDB 971168 D01v03 Section 4.2. 2. The EUT was connected to the spectrum analyzer and system simulator via a power divider. 3. The RF output of the EUT was connected to the spectrum analyzer by RF cable and attenuator. The path loss was compensated to the results for each measurement. 4. The 99% occupied bandwidth were measured, set RBW= 1% of OBW, VBW= 3*RBW, sample detector, trace maximum hold. 5. The 26dB bandwidth were measured, set RBW= 1% of EBW, VBW= 3*RBW, peak detector, trace maximum hold.
Test Result:	PASS

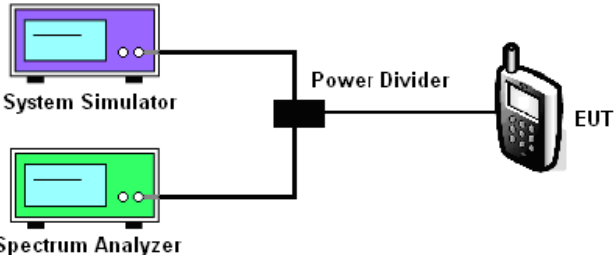
6.3.2. Test Instruments

Equipment	Manufacturer	Model	Serial Number	Calibration Due
Wideband Radio Communication Tester	R&S	CMW500	114220	Jul. 27, 2021
Spectrum Analyzer	Agilent	N9020A	MY49100619	Sep. 11, 2021
RF cable (9kHz-40GHz)	TCT	RE-05	N/A	Sep. 02, 2021
Antenna Connector	TCT	RFC-02	N/A	Sep. 02, 2021

Note: The calibration interval of the above test instruments is 12 months and the calibrations are traceable to international system unit (SI).

6.4. Band Edge and Conducted Spurious Emission Measurement

6.4.1. Test Specification

Test Requirement:	FCC part 27.53(h), FCC part 27.53(g) , FCC part 27.53(m)(4), FCC part 24.238(a), 22.917(a)
Test Method:	FCC part 2.1051
Limit:	-13dBm
Test Setup:	 <p>The diagram illustrates the test setup. On the left, there are two pieces of equipment: a purple 'System Simulator' and a green 'Spectrum Analyzer'. Both are connected to a central black 'Power Divider'. The 'Power Divider' is then connected via a cable to a mobile phone labeled 'EUT' (Equipment Under Test) on the right.</p>
Test Procedure:	<ol style="list-style-type: none"> 1. The testing follows FCC KDB 971168 D01v03 Section 6.0. 2. The EUT was connected to the spectrum analyzer and system simulator via a power divider. 3. The RF output of EUT was connected to the spectrum analyzer by an RF cable and attenuator. The path loss was compensated to the results for each measurement. 4. The band edges of low and high channels for the highest RF powers were measured. 5. The conducted spurious emission for the whole frequency range was taken. 6. The RF fundamental frequency should be excluded against the limit line in the operating frequency band. 7. The limit line is derived from $43 + 10\log(P)$ dB below the transmitter power $P(\text{Watts}) = P(\text{W}) - [43 + 10\log(P)] (\text{dB}) = [30 + 10\log(P)] (\text{dBm}) - [43 + 10\log(P)] (\text{dB}) = -13\text{dBm}$. For Band 17, the limit line is derived from $55 + 10\log(P)$ dB below the transmitter power
Test Result:	PASS

6.4.2. Test Instruments

Equipment	Manufacturer	Model	Serial Number	Calibration Due
Wideband Radio Communication Tester	R&S	CMW500	114220	Jul. 27, 2021
Spectrum Analyzer	Agilent	N9020A	MY49100619	Sep. 11, 2021
RF cable (9kHz-40GHz)	TCT	RE-05	N/A	Sep. 02, 2021
Antenna Connector	TCT	RFC-02	N/A	Sep. 02, 2021

Note: The calibration interval of the above test instruments is 12 months and the calibrations are traceable to international system unit (SI).

6.5. Field Strength of Spurious Radiation Measurement

6.5.1. Test Specification

Test Requirement:	FCC part 27.53(g) ,FCC part 27.53(h), FCC part 27.53(m)(4), FCC part 22.917(a), 24.238(b)
Test Method:	FCC part 2.1053
Limit:	30MHz~20GHz -13dBm
Test setup:	
Test Procedure:	<ol style="list-style-type: none"> 1. The testing follows FCC KDB 971168 D01v03 Section 5.8 and ANSI / TIA-603-D-2010Section 2.2.12. 2. The EUT was placed on a rotatable wooden table 0.8 meters above the ground. 3. The EUT was set 3 meters from the receiving antenna, which was mounted on the antenna tower. 4. The table was rotated 360 degrees to determine the position of the highest spurious emission. 5. The height of the receiving antenna is varied between one meter and four meters to search for the maximum

	<p>spurious emission for both horizontal and vertical polarizations.</p> <ol style="list-style-type: none"> 6. Make the measurement with the spectrum analyzer's RBW = 1MHz, VBW = 3MHz, taking record of maximum spurious emission. 7. A horn antenna was substituted in place of the EUT and was driven by a signal generator. 8. Tune the output power of signal generator to the same emission level with EUT maximum spurious emission. 9. Taking the record of output power at antenna port. 10. Repeat step 7 to step 8 for another polarization. 11. EIRP (dBm) = S.G. Power – Tx Cable Loss + Tx Antenna Gain 12. ERP (dBm) = EIRP - 2.15 13. The RF fundamental frequency should be excluded against the limit line in the operating frequency band. 14. The limit line is derived from 43 + 10log(P) dB below the transmitter power P(Watts) <ul style="list-style-type: none"> = P(W) - [43 + 10log(P)] (dB) = [30 + 10log(P)] (dBm) - [43 + 10log(P)] (dB) = -13dBm.
Test results:	PASS
Remark:	All modulations have been tested, but only the worst modulation show in this test item.

6.5.2. Test Instruments

Radiated Emission Test Site (966)				
Name of Equipment	Manufacturer	Model	Serial Number	Calibration Due
System simulator	R&S	CMU200	110188	Sep. 11, 2021
Spectrum Analyzer	ROHDE&SCHW ARZ	R&S	FSQ40	Sep. 11, 2021
Signal Generator	HP	83623B	3614A00396	Sep. 02, 2021
Broadband Antenna	Schwarzbeck	VULB9163	340	Sep. 04, 2022
Horn Antenna	Schwarzbeck	BBHA 9120D	631	Sep. 04, 2022
Broadband Antenna	Schwarzbeck	VULB9163	412	Sep. 04, 2022
Horn Antenna	Schwarzbeck	BBHA 9120D	1201	Sep. 04, 2022
Horn Antenna	A-INFO	LB-180400-KF	J211020657	Sep. 04, 2022
Dipole Antenna	TCT	TCT-RF	N/A	Sep. 02, 2021
Line-4	TCT	RE-high-04	N/A	Sep. 02, 2021
Line-8	TCT	RE-01	N/A	Jul. 27, 2021
Antenna Mast	Keleto	CC-A-4M	N/A	N/A
EMI Test Software	Shurple Technology	EZ-EMC	N/A	N/A

Note: The calibration interval of the above test instruments is 12 months and the calibrations are traceable to international system unit (SI).

6.5.3. Test Data

Frequency Range (9 kHz-30MHz)

Frequency (MHz)	Level@3m (dB μ V/m)	Limit@3m (dB μ V/m)
--	--	--
--	--	--
--	--	--
--	--	--

Note: 1. Emission Level=Reading+ Cable loss+Antenna factor-Amp factor

2. The emission levels are 20 dB below the limit value, which are not reported. It is deemed to comply with the requirement

Band	Band 2(QPSK, 20MHz)	Test channel:	Lowest
Test mode:		Temperature :	25°C
		Relative Humidity:	56%

Note: Spurious emissions within 30-1000MHz were found more than 20dB below limit line.

Frequency (MHz)	Spurious Emission				Limit (dBm)	Result
	Polarization	Level (dBm)	Correction Factor (dB)	Spurious emissions (dBm)		
3720.00	Vertical	-63.68	23.54	-34.30	-13.00	PASS
5580.00	V	-79.95	23.81	-39.73		
7440.00	V	-56.24	23.96	-55.12		
3720.00	Horizontal	-63.31	23.54	-32.48		
5580.00	H	-76.22	23.81	-39.37		
7440.00	H	-63.68	23.96	-52.13		

Band	Band 2(QPSK, 20MHz)	Test channel:	Middle
Test mode:		Temperature :	25°C
		Relative Humidity:	56%

Note: Spurious emissions within 30-1000MHz were found more than 20dB below limit line.

Frequency (MHz)	Spurious Emission				Limit (dBm)	Result
	Polarization	Level (dBm)	Correction Factor (dB)	Spurious emissions (dBm)		
3760.00	Vertical	-58.27	23.58	-34.15	-13.00	PASS
5640.00	V	-69.66	23.85	-45.40		
7520.00	V	-77.18	23.99	-53.04		
3760.00	Horizontal	-57.62	23.58	-33.31		
5640.00	H	-64.21	23.85	-39.61		
7520.00	H	-77.92	23.99	-53.67		

Band	Band 2(QPSK, 20MHz)	Test channel:	Highest
Test mode:		Temperature :	25°C
		Relative Humidity:	56%

Note: Spurious emissions within 30-1000MHz were found more than 20dB below limit line.

Frequency (MHz)	Spurious Emission				Limit (dBm)	Result
	Polarization	Level (dBm)	Correction Factor (dB)	Spurious emissions (dBm)		
3800.00	Vertical	-60.59	23.60	-36.69	-13.00	PASS
5700.00	V	-69.47	23.88	-44.76		
7600.00	V	-77.71	24.02	-53.09		
3800.00	Horizontal	-56.56	23.60	-32.65		
5700.00	H	-65.87	23.88	-41.41		
7600.00	H	-79.28	24.02	-54.80		

Band	Band 2(16QAM, 20MHz)	Test channel:	Lowest
Test mode:		Temperature :	25°C
		Relative Humidity:	56%

Note: Spurious emissions within 30-1000MHz were found more than 20dB below limit line.

Frequency (MHz)	Spurious Emission				Limit (dBm)	Result
	Polarization	Level (dBm)	Correction Factor (dB)	Spurious emissions (dBm)		
3720.00	Vertical	-57.99	23.54	-34.45	-13.00	PASS
5580.00	V	-64.47	23.81	-40.66		
7440.00	V	-78.06	23.96	-54.10		
3720.00	Horizontal	-57.03	23.54	-33.49		
5580.00	H	-63.81	23.81	-40.00		
7440.00	H	-75.55	23.96	-51.59		

Band	Band 2(16QAM, 20MHz)	Test channel:	Middle
Test mode:		Temperature :	25°C
		Relative Humidity:	56%

Note: Spurious emissions within 30-1000MHz were found more than 20dB below limit line.

Frequency (MHz)	Spurious Emission				Limit (dBm)	Result
	Polarization	Level (dBm)	Correction Factor (dB)	Spurious emissions (dBm)		
3760.00	Vertical	-59.80	23.58	-36.22	-13.00	PASS
5640.00	V	-69.11	23.85	-45.26		
7520.00	V	-76.69	23.99	-52.70		
3760.00	Horizontal	-56.31	23.58	-32.73		
5640.00	H	-65.05	23.85	-41.20		
7520.00	H	-78.59	23.99	-54.60		

Band	Band 2(16QAM, 20MHz)	Test channel:	Highest
Test mode:		Temperature :	25°C
		Relative Humidity:	56%

Note: Spurious emissions within 30-1000MHz were found more than 20dB below limit line.

Frequency (MHz)	Spurious Emission				Limit (dBm)	Result
	Polarization	Level (dBm)	Correction Factor (dB)	Spurious emissions (dBm)		
3800.00	Vertical	-60.37	23.60	-36.77	-13.00	PASS
5700.00	V	-69.93	23.88	-46.05		
7600.00	V	-78.42	24.02	-54.40		
3800.00	Horizontal	-56.65	23.60	-33.05		
5700.00	H	-65.11	23.88	-41.23		
7600.00	H	-79.97	24.02	-55.95		

Band	Band 4(QPSK, 20MHz)	Test channel:	Lowest
Test mode:		Temperature :	25°C
		Relative Humidity:	56%

Note: Spurious emissions within 30-1000MHz were found more than 20dB below limit line.

Frequency (MHz)	Spurious Emission				Limit (dBm)	Result
	Polarization	Level (dBm)	Correction Factor (dB)	Spurious emissions (dBm)		
3440.00	Vertical	-63.13	23.40	-39.73	-13.00	PASS
5160.00	V	-58.61	23.69	-34.92		
6880.00	V	-56.88	23.75	-33.13		
3440.00	Horizontal	-63.82	23.40	-40.42		
5160.00	H	-76.02	23.69	-52.33		
6880.00	H	-63.13	23.75	-39.38		

Band	Band 4(QPSK, 20MHz)	Test channel:	Middle
Test mode:		Temperature :	25°C
		Relative Humidity:	56%

Note: Spurious emissions within 30-1000MHz were found more than 20dB below limit line.

Frequency (MHz)	Spurious Emission				Limit (dBm)	Result
	Polarization	Level (dBm)	Correction Factor (dB)	Spurious emissions (dBm)		
3465.00	Vertical	-58.49	23.42	-35.07	-13.00	PASS
5197.50	V	-68.92	23.73	-45.19		
6930.00	V	-77.54	23.79	-53.75		
3465.00	Horizontal	-56.37	23.42	-32.95		
5197.50	H	-64.20	23.73	-40.47		
6930.00	H	-76.52	23.79	-52.73		

Band	Band 4(QPSK, 20MHz)	Test channel:	Highest
Test mode:		Temperature :	25°C
		Relative Humidity:	56%

Note: Spurious emissions within 30-1000MHz were found more than 20dB below limit line.

Frequency (MHz)	Spurious Emission				Limit (dBm)	Result
	Polarization	Level (dBm)	Correction Factor (dB)	Spurious emissions (dBm)		
3490.00	Vertical	-60.41	23.46	-36.95	-13.00	PASS
5235.00	V	-69.28	23.77	-45.51		
6980.00	V	-76.59	23.81	-52.78		
3490.00	Horizontal	-56.48	23.46	-33.02		
5235.00	H	-65.99	23.77	-42.22		
6980.00	H	-79.04	23.81	-55.23		

Band	Band 4(16QAM, 20MHz)	Test channel:	Lowest
Test mode:		Temperature :	25°C
		Relative Humidity:	56%

Note: Spurious emissions within 30-1000MHz were found more than 20dB below limit line.

Frequency (MHz)	Spurious Emission				Limit (dBm)	Result
	Polarization	Level (dBm)	Correction Factor (dB)	Spurious emissions (dBm)		
3440.00	Vertical	-59.98	23.40	-36.58	-13.00	PASS
5160.00	V	-65.44	23.69	-41.75		
6880.00	V	-78.48	23.75	-54.73		
3440.00	Horizontal	-57.61	23.40	-34.21		
5160.00	H	-64.75	23.69	-41.06		
6880.00	H	-76.89	23.75	-53.14		

Band	Band 4(16QAM, 20MHz)	Test channel:	Middle
Test mode:		Temperature :	25°C
		Relative Humidity:	56%

Note: Spurious emissions within 30-1000MHz were found more than 20dB below limit line.

Frequency (MHz)	Spurious Emission				Limit (dBm)	Result
	Polarization	Level (dBm)	Correction Factor (dB)	Spurious emissions (dBm)		
3465.00	Vertical	-58.27	23.42	-34.85	-13.00	PASS
5197.50	V	-69.80	23.73	-46.07		
6930.00	V	-77.68	23.79	-53.89		
3465.00	Horizontal	-57.21	23.42	-33.79		
5197.50	H	-65.16	23.73	-41.43		
6930.00	H	-78.02	23.79	-54.23		

Band	Band 4(16QAM, 20MHz)	Test channel:	Highest
Test mode:		Temperature :	25°C
		Relative Humidity:	56%

Note: Spurious emissions within 30-1000MHz were found more than 20dB below limit line.

Frequency (MHz)	Spurious Emission				Limit (dBm)	Result
	Polarization	Level (dBm)	Correction Factor (dB)	Spurious emissions (dBm)		
3490.00	Vertical	-60.88	23.46	-37.42	-13.00	PASS
5235.00	V	-69.36	23.77	-45.59		
6980.00	V	-78.55	23.81	-54.74		
3490.00	Horizontal	-56.89	23.46	-33.43		
5235.00	H	-67.09	23.77	-43.32		
6980.00	H	-79.40	23.81	-55.59		

Band	Band 5(QPSK, 10MHz)	Test channel:	Lowest
Test mode:		Temperature :	25°C
		Relative Humidity:	56%

Note: Spurious emissions within 30-1000MHz were found more than 20dB below limit line.

Frequency (MHz)	Spurious Emission				Limit (dBm)	Result
	Polarization	Level (dBm)	Correction Factor (dB)	Spurious emissions (dBm)		
1658.00	Vertical	-59.49	23.15	-36.34	-13.00	PASS
2487.00	V	-63.61	23.24	-40.37		
3316.00	V	-78.43	23.35	-55.08		
1658.00	Horizontal	-58.80	23.15	-35.65		
2487.00	H	-61.28	23.24	-38.04		
3316.00	H	-76.60	23.35	-53.25		

Band	Band 5(QPSK, 10MHz)	Test channel:	Middle
Test mode:		Temperature :	25°C
		Relative Humidity:	56%

Note: Spurious emissions within 30-1000MHz were found more than 20dB below limit line.

Frequency (MHz)	Spurious Emission				Limit (dBm)	Result
	Polarization	Level (dBm)	Correction Factor (dB)	Spurious emissions (dBm)		
1673.00	Vertical	-58.41	23.17	-35.24	-13.00	PASS
2509.50	V	-69.69	23.26	-46.43		
3346.00	V	-77.38	23.38	-54.00		
1673.00	Horizontal	-57.40	23.17	-34.23		
2509.50	H	-63.71	23.26	-40.45		
3346.00	H	-77.47	23.38	-54.09		

Band	Band 5(QPSK, 10MHz)	Test channel:	Highest
Test mode:		Temperature :	25°C
		Relative Humidity:	56%

Note: Spurious emissions within 30-1000MHz were found more than 20dB below limit line.

Frequency (MHz)	Spurious Emission				Limit (dBm)	Result
	Polarization	Level (dBm)	Correction Factor (dB)	Spurious emissions (dBm)		
1688.00	Vertical	-61.61	23.19	-38.42	-13.00	PASS
2532.00	V	-70.98	23.28	-47.70		
3376.00	V	-82.56	23.40	-59.16		
1688.00	Horizontal	-57.03	23.19	-33.84		
2532.00	H	-66.30	23.28	-43.02		
3376.00	H	-81.07	23.40	-57.67		

Band	Band 5(16QAM, 10MHz)	Test channel:	Lowest
Test mode:		Temperature :	25°C
		Relative Humidity:	56%

Note: Spurious emissions within 30-1000MHz were found more than 20dB below limit line.

Frequency (MHz)	Spurious Emission				Limit (dBm)	Result
	Polarization	Level (dBm)	Correction Factor (dB)	Spurious emissions (dBm)		
1658.00	Vertical	-58.15	23.15	-35.00	-13.00	PASS
2487.00	V	-63.21	23.24	-39.97		
3316.00	V	-79.42	23.35	-56.07		
1658.00	Horizontal	-57.46	23.15	-34.31		
2487.00	H	-63.28	23.24	-40.04		
3316.00	H	-77.19	23.35	-53.84		

Band	Band 5(16QAM, 10MHz)	Test channel:	Middle
Test mode:		Temperature :	25°C
		Relative Humidity:	56%

Note: Spurious emissions within 30-1000MHz were found more than 20dB below limit line.

Frequency (MHz)	Spurious Emission				Limit (dBm)	Result
	Polarization	Level (dBm)	Correction Factor (dB)	Spurious emissions (dBm)		
1673.00	Vertical	-58.64	23.17	-35.47	-13.00	PASS
2509.50	V	-68.97	23.26	-45.71		
3346.00	V	-76.96	23.38	-53.58		
1673.00	Horizontal	-55.39	23.17	-32.22		
2509.50	H	-64.28	23.26	-41.02		
3346.00	H	-77.81	23.38	-54.43		

Band	Band 5(16QAM, 10MHz)	Test channel:	Highest
Test mode:		Temperature :	25°C
		Relative Humidity:	56%

Note: Spurious emissions within 30-1000MHz were found more than 20dB below limit line.

Frequency (MHz)	Spurious Emission				Limit (dBm)	Result
	Polarization	Level (dBm)	Correction Factor (dB)	Spurious emissions (dBm)		
1688.00	Vertical	-69.52	23.19	-46.33	-13.00	PASS
2532.00	V	-77.83	23.28	-54.55		
3376.00	V	-56.59	23.40	-33.19		
1688.00	Horizontal	-66.51	23.19	-43.32		
2532.00	H	-80.46	23.28	-57.18		
3376.00	H	-69.52	23.40	-46.12		

Band	Band 12(QPSK, 10MHz)	Test channel:	Lowest
Test mode:		Temperature :	25°C
		Relative Humidity:	56%

Note: Spurious emissions within 30-1000MHz were found more than 20dB below limit line.

Frequency (MHz)	Spurious Emission				Limit (dBm)	Result
	Polarization	Level (dBm)	Correction Factor (dB)	Spurious emissions (dBm)		
1408.00	Vertical	-59.65	23.03	-36.62	-13.00	PASS
2112.00	V	-64.80	23.16	-41.64		
2816.00	V	-79.07	23.25	-55.82		
1408.00	Horizontal	-59.11	23.03	-36.08		
2112.00	H	-61.90	23.16	-38.74		
2816.00	H	-77.29	23.25	-54.04		

Band	Band 12(QPSK, 10MHz)	Test channel:	Middle
Test mode:		Temperature :	25°C
		Relative Humidity:	56%

Note: Spurious emissions within 30-1000MHz were found more than 20dB below limit line.

Frequency (MHz)	Spurious Emission				Limit (dBm)	Result
	Polarization	Level (dBm)	Correction Factor (dB)	Spurious emissions (dBm)		
1415.00	Vertical	-58.48	23.05	-35.43	-13.00	PASS
2122.50	V	-69.05	23.18	-45.87		
2830.00	V	-78.07	23.28	-54.79		
1415.00	Horizontal	-55.79	23.05	-32.74		
2122.50	H	-62.61	23.18	-39.43		
2830.00	H	-77.13	23.28	-53.85		

Band	Band 12(QPSK, 10MHz)	Test channel:	Highest
Test mode:		Temperature :	25°C
		Relative Humidity:	56%

Note: Spurious emissions within 30-1000MHz were found more than 20dB below limit line.

Frequency (MHz)	Spurious Emission				Limit (dBm)	Result
	Polarization	Level (dBm)	Correction Factor (dB)	Spurious emissions (dBm)		
1422.00	Vertical	-61.75	23.08	-38.67	-13.00	PASS
2133.00	V	-71.07	23.20	-47.87		
2844.00	V	-82.45	23.31	-59.14		
1422.00	Horizontal	-57.12	23.08	-34.04		
2133.00	H	-65.43	23.20	-42.23		
2844.00	H	-80.87	23.31	-57.56		

Band	Band 12(16QAM, 10MHz)	Test channel:	Lowest
Test mode:		Temperature :	25°C
		Relative Humidity:	56%

Note: Spurious emissions within 30-1000MHz were found more than 20dB below limit line.

Frequency (MHz)	Spurious Emission				Limit (dBm)	Result
	Polarization	Level (dBm)	Correction Factor (dB)	Spurious emissions (dBm)		
1408.00	Vertical	-59.13	23.03	-36.10	-13.00	PASS
2112.00	V	-62.71	23.16	-39.55		
2816.00	V	-79.94	23.25	-56.69		
1408.00	Horizontal	-57.73	23.03	-34.70		
2112.00	H	-63.63	23.16	-40.47		
2816.00	H	-77.80	23.25	-54.55		

Band	Band 12(16QAM, 10MHz)	Test channel:	Middle
Test mode:		Temperature :	25°C
		Relative Humidity:	56%

Note: Spurious emissions within 30-1000MHz were found more than 20dB below limit line.

Frequency (MHz)	Spurious Emission				Limit (dBm)	Result
	Polarization	Level (dBm)	Correction Factor (dB)	Spurious emissions (dBm)		
1415.00	Vertical	-58.64	23.05	-35.59	-13.00	PASS
2122.50	V	-69.28	23.18	-46.10		
2830.00	V	-77.95	23.28	-54.67		
1415.00	Horizontal	-57.36	23.05	-34.31		
2122.50	H	-64.57	23.18	-41.39		
2830.00	H	-77.83	23.28	-54.55		

Band	Band 12(16QAM, 10MHz)	Test channel:	Highest
Test mode:		Temperature :	25°C
		Relative Humidity:	56%

Note: Spurious emissions within 30-1000MHz were found more than 20dB below limit line.

Frequency (MHz)	Spurious Emission				Limit (dBm)	Result
	Polarization	Level (dBm)	Correction Factor (dB)	Spurious emissions (dBm)		
1422.00	Vertical	-60.12	23.08	-37.04	-13.00	PASS
2133.00	V	-69.74	23.20	-46.54		
2844.00	V	-76.67	23.31	-53.36		
1422.00	Horizontal	-56.36	23.08	-33.28		
2133.00	H	-65.62	23.20	-42.42		
2844.00	H	-79.43	23.31	-56.12		

Band	Band 13(QPSK, 10MHz)	Test channel:	Lowest
Test mode:		Temperature :	25°C
		Relative Humidity:	56%

Note: Spurious emissions within 30-1000MHz were found more than 20dB below limit line.

Frequency (MHz)	Spurious Emission				Limit (dBm)	Result
	Polarization	Level (dBm)	Correction Factor (dB)	Spurious emissions (dBm)		
1564.00	Vertical	-65.88	23.06	-42.82	-40.00	PASS
2346.00	V	-63.65	23.17	-40.48	-13.00	
3128.00	V	-79.79	23.27	-56.52	-13.00	
1564.00	Horizontal	-65.64	23.05	-42.59	-40.00	
2346.00	H	-62.25	23.18	-39.07	-13.00	
3128.00	H	-77.03	23.28	-53.75	-13.00	

Band	Band 13(QPSK, 10MHz)	Test channel:	Middle
Test mode:		Temperature :	25°C
		Relative Humidity:	56%

Note: Spurious emissions within 30-1000MHz were found more than 20dB below limit line.

Frequency (MHz)	Spurious Emission				Limit (dBm)	Result
	Polarization	Level (dBm)	Correction Factor (dB)	Spurious emissions (dBm)		
1564.00	Vertical	-66.55	23.07	-43.48	-40.00	PASS
2346.00	V	-68.89	23.19	-45.70	-13.00	
3128.00	V	-76.18	23.29	-52.89	-13.00	
1564.00	Horizontal	-65.83	23.07	-42.76	-40.00	
2346.00	H	-63.30	23.19	-40.11	-13.00	
3128.00	H	-76.96	23.30	-53.66	-13.00	

Band	Band 13(QPSK, 10MHz)	Test channel:	Highest
Test mode:		Temperature :	25°C
		Relative Humidity:	56%

Note: Spurious emissions within 30-1000MHz were found more than 20dB below limit line.

Frequency (MHz)	Spurious Emission				Limit (dBm)	Result
	Polarization	Level (dBm)	Correction Factor (dB)	Spurious emissions (dBm)		
1564.00	Vertical	-66.07	23.08	-43.99	-40.00	PASS
2346.00	V	-69.95	23.20	-46.75	-13.00	
3128.00	V	-81.59	23.31	-58.28	-13.00	
1564.00	Horizontal	-65.94	23.08	-42.86	-40.00	
2346.00	H	-64.71	23.20	-41.51	-13.00	
3128.00	H	-80.03	23.31	-56.72	-13.00	

Band	Band 13(16QAM, 10MHz)	Test channel:	Lowest
Test mode:		Temperature :	25°C
		Relative Humidity:	56%

Note: Spurious emissions within 30-1000MHz were found more than 20dB below limit line.

Frequency (MHz)	Spurious Emission				Limit (dBm)	Result
	Polarization	Level (dBm)	Correction Factor (dB)	Spurious emissions (dBm)		
1564.00	Vertical	-65.59	23.06	-42.53	-40.00	PASS
2346.00	V	-63.11	23.17	-39.94	-13.00	
3128.00	V	-79.22	23.27	-55.95	-13.00	
1564.00	Horizontal	-66.15	23.05	-43.10	-40.00	
2346.00	H	-63.92	23.18	-40.74	-13.00	
3128.00	H	-75.57	23.28	-52.29	-13.00	

Band	Band 13(16QAM, 10MHz)	Test channel:	Middle
Test mode:		Temperature :	25°C
		Relative Humidity:	56%

Note: Spurious emissions within 30-1000MHz were found more than 20dB below limit line.

Frequency (MHz)	Spurious Emission				Limit (dBm)	Result
	Polarization	Level (dBm)	Correction Factor (dB)	Spurious emissions (dBm)		
1564.00	Vertical	-67.79	23.07	-44.72	-40.00	PASS
2346.00	V	-69.24	23.19	-46.05	-13.00	
3128.00	V	-76.78	23.29	-53.49	-13.00	
1564.00	Horizontal	-65.56	23.07	-42.49	-40.00	
2346.00	H	-62.82	23.19	-39.63	-13.00	
3128.00	H	-77.07	23.30	-53.77	-13.00	

Band	Band 13(16QAM, 10MHz)	Test channel:	Highest
Test mode:		Temperature :	25°C
		Relative Humidity:	56%

Note: Spurious emissions within 30-1000MHz were found more than 20dB below limit line.

Frequency (MHz)	Spurious Emission				Limit (dBm)	Result
	Polarization	Level (dBm)	Correction Factor (dB)	Spurious emissions (dBm)		
1564.00	Vertical	-66.03	23.08	-43.95	-40.00	PASS
2346.00	V	-69.31	23.20	-46.11	-13.00	
3128.00	V	-77.29	23.31	-53.98	-13.00	
1564.00	Horizontal	-65.23	23.08	-42.15	-40.00	
2346.00	H	-64.24	23.20	-41.04	-13.00	
3128.00	H	-78.66	23.31	-55.35	-13.00	

Band	Band 14(QPSK, 10MHz)	Test channel:	Lowest
Test mode:		Temperature :	25°C
		Relative Humidity:	56%

Note: Spurious emissions within 30-1000MHz were found more than 20dB below limit line.

Frequency (MHz)	Spurious Emission				Limit (dBm)	Result
	Polarization	Level (dBm)	Correction Factor (dB)	Spurious emissions (dBm)		
1586.00	Vertical	-66.65	23.06	-43.59	-40.00	PASS
2379.00	V	-63.87	23.17	-40.70	-13.00	
3172.00	V	-79.53	23.27	-56.26	-13.00	
1586.00	Horizontal	-67.02	23.05	-43.97	-40.00	
2379.00	H	-62.49	23.18	-39.31	-13.00	
3172.00	H	-76.76	23.28	-53.48	-13.00	

Band	Band 14(QPSK, 10MHz)	Test channel:	Middle
Test mode:		Temperature :	25°C
		Relative Humidity:	56%

Note: Spurious emissions within 30-1000MHz were found more than 20dB below limit line.

Frequency (MHz)	Spurious Emission				Limit (dBm)	Result
	Polarization	Level (dBm)	Correction Factor (dB)	Spurious emissions (dBm)		
1586.00	Vertical	-66.34	23.07	-43.27	-40.00	PASS
2379.00	V	-69.23	23.19	-46.04	-13.00	
3172.00	V	-77.79	23.29	-54.50	-13.00	
1586.00	Horizontal	-66.61	23.07	-43.54	-40.00	
2379.00	H	-64.05	23.19	-40.86	-13.00	
3172.00	H	-77.72	23.30	-54.42	-13.00	

Band	Band 14(QPSK, 10MHz)	Test channel:	Highest
Test mode:		Temperature :	25°C
		Relative Humidity:	56%

Note: Spurious emissions within 30-1000MHz were found more than 20dB below limit line.

Frequency (MHz)	Spurious Emission				Limit (dBm)	Result
	Polarization	Level (dBm)	Correction Factor (dB)	Spurious emissions (dBm)		
1586.00	Vertical	-66.04	23.08	-43.96	-40.00	PASS
2379.00	V	-70.81	23.20	-47.61	-13.00	
3172.00	V	-81.82	23.31	-58.51	-13.00	
1586.00	Horizontal	-65.86	23.08	-42.78	-40.00	
2379.00	H	-64.79	23.20	-41.59	-13.00	
3172.00	H	-80.10	23.31	-56.79	-13.00	

Band	Band 14(16QAM, 10MHz)	Test channel:	Lowest
Test mode:		Temperature :	25°C
		Relative Humidity:	56%

Note: Spurious emissions within 30-1000MHz were found more than 20dB below limit line.

Frequency (MHz)	Spurious Emission				Limit (dBm)	Result
	Polarization	Level (dBm)	Correction Factor (dB)	Spurious emissions (dBm)		
1586.00	Vertical	-66.78	23.06	-43.72	-40.00	PASS
2379.00	V	-63.70	23.17	-40.53	-13.00	
3172.00	V	-80.15	23.27	-56.88	-13.00	
1586.00	Horizontal	-66.35	23.05	-43.30	-40.00	
2379.00	H	-64.52	23.18	-41.34	-13.00	
3172.00	H	-75.80	23.28	-52.52	-13.00	

Band	Band 14(16QAM, 10MHz)	Test channel:	Middle
Test mode:		Temperature :	25°C
		Relative Humidity:	56%

Note: Spurious emissions within 30-1000MHz were found more than 20dB below limit line.

Frequency (MHz)	Spurious Emission				Limit (dBm)	Result
	Polarization	Level (dBm)	Correction Factor (dB)	Spurious emissions (dBm)		
1586.00	Vertical	-66.47	23.07	-43.40	-40.00	PASS
2379.00	V	-69.00	23.19	-45.81	-13.00	
3172.00	V	-76.81	23.29	-53.52	-13.00	
1586.00	Horizontal	-66.38	23.07	-43.31	-40.00	
2379.00	H	-63.74	23.19	-40.55	-13.00	
3172.00	H	-77.66	23.30	-54.36	-13.00	

Band	Band 14(16QAM, 10MHz)	Test channel:	Highest
Test mode:		Temperature :	25°C
		Relative Humidity:	56%

Note: Spurious emissions within 30-1000MHz were found more than 20dB below limit line.

Frequency (MHz)	Spurious Emission				Limit (dBm)	Result
	Polarization	Level (dBm)	Correction Factor (dB)	Spurious emissions (dBm)		
1586.00	Vertical	-66.43	23.08	-43.35	-40.00	PASS
2379.00	V	-69.79	23.20	-46.59	-13.00	
3172.00	V	-77.06	23.31	-53.75	-13.00	
1586.00	Horizontal	-66.58	23.08	-43.50	-40.00	
2379.00	H	-65.12	23.20	-41.92	-13.00	
3172.00	H	-78.76	23.31	-55.45	-13.00	

Band	Band 66(QPSK, 20MHz)	Test channel:	Lowest
Test mode:		Temperature :	25°C
		Relative Humidity:	56%

Note: Spurious emissions within 30-1000MHz were found more than 20dB below limit line.

Frequency (MHz)	Spurious Emission				Limit (dBm)	Result
	Polarization	Level (dBm)	Correction Factor (dB)	Spurious emissions (dBm)		
3440.00	Vertical	-60.91	23.40	-37.51	-13.00	PASS
5160.00	V	-65.41	23.69	-41.72		
6880.00	V	-81.59	23.75	-57.84		
3440.00	Horizontal	-59.21	23.40	-35.81		
5160.00	H	-63.42	23.69	-39.73		
6880.00	H	-76.34	23.75	-52.59		

Band	Band 66(QPSK, 20MHz)	Test channel:	Middle
Test mode:		Temperature :	25°C
		Relative Humidity:	56%

Note: Spurious emissions within 30-1000MHz were found more than 20dB below limit line.

Frequency (MHz)	Spurious Emission				Limit (dBm)	Result
	Polarization	Level (dBm)	Correction Factor (dB)	Spurious emissions (dBm)		
3510.00	Vertical	-58.19	23.42	-34.77	-13.00	PASS
5265.00	V	-69.70	23.73	-45.97		
7020.00	V	-77.91	23.79	-54.12		
3510.00	Horizontal	-56.25	23.42	-32.83		
5265.00	H	-63.81	23.73	-40.08		
7020.00	H	-77.67	23.79	-53.88		

Band	Band 66(QPSK, 20MHz)	Test channel:	Highest
Test mode:		Temperature :	25°C
		Relative Humidity:	56%

Note: Spurious emissions within 30-1000MHz were found more than 20dB below limit line.

Frequency (MHz)	Spurious Emission				Limit (dBm)	Result
	Polarization	Level (dBm)	Correction Factor (dB)	Spurious emissions (dBm)		
3540.00	Vertical	-60.08	23.46	-36.62	-13.00	PASS
5310.00	V	-71.27	23.77	-47.50		
7080.00	V	-82.12	23.81	-58.31		
3540.00	Horizontal	-56.81	23.46	-33.35		
5310.00	H	-66.43	23.77	-42.66		
7080.00	H	-81.30	23.81	-57.49		

Band	Band 66(16QAM, 20MHz)	Test channel:	Lowest
Test mode:		Temperature :	25°C
		Relative Humidity:	56%

Note: Spurious emissions within 30-1000MHz were found more than 20dB below limit line.

Frequency (MHz)	Spurious Emission				Limit (dBm)	Result
	Polarization	Level (dBm)	Correction Factor (dB)	Spurious emissions (dBm)		
3440.00	Vertical	-59.29	23.40	-35.89	-13.00	PASS
5160.00	V	-64.12	23.69	-40.43		
6880.00	V	-80.09	23.75	-56.34		
3440.00	Horizontal	-57.45	23.40	-34.05		
5160.00	H	-64.52	23.69	-40.83		
6880.00	H	-76.13	23.75	-52.38		

Band	Band 66(16QAM, 20MHz)	Test channel:	Middle
Test mode:		Temperature :	25°C
		Relative Humidity:	56%

Note: Spurious emissions within 30-1000MHz were found more than 20dB below limit line.

Frequency (MHz)	Spurious Emission				Limit (dBm)	Result
	Polarization	Level (dBm)	Correction Factor (dB)	Spurious emissions (dBm)		
3510.00	Vertical	-58.27	23.42	-34.85	-13.00	PASS
5265.00	V	-69.67	23.73	-45.94		
7020.00	V	-77.70	23.79	-53.91		
3510.00	Horizontal	-57.18	23.42	-33.76		
5265.00	H	-65.22	23.73	-41.49		
7020.00	H	-77.81	23.79	-54.02		

Band	Band 66(16QAM, 20MHz)	Test channel:	Highest
Test mode:		Temperature :	25°C
		Relative Humidity:	56%

Note: Spurious emissions within 30-1000MHz were found more than 20dB below limit line.

Frequency (MHz)	Spurious Emission				Limit (dBm)	Result
	Polarization	Level (dBm)	Correction Factor (dB)	Spurious emissions (dBm)		
3540.00	Vertical	-59.70	23.46	-36.24	-13.00	PASS
5310.00	V	-69.59	23.77	-45.82		
7080.00	V	-77.17	23.81	-53.36		
3540.00	Horizontal	-56.57	23.46	-33.11		
5310.00	H	-66.44	23.77	-42.67		
7080.00	H	-79.64	23.81	-55.83		

Band	Band 71(QPSK, 20MHz)	Test channel:	Lowest
Test mode:		Temperature :	25°C
		Relative Humidity:	56%

Note: Spurious emissions within 30-1000MHz were found more than 20dB below limit line.

Frequency (MHz)	Spurious Emission				Limit (dBm)	Result
	Polarization	Level (dBm)	Correction Factor (dB)	Spurious emissions (dBm)		
1346.00	Vertical	-59.24	23.40	-35.84	-13.00	PASS
2019.00	V	-65.10	23.69	-41.41		
2692.00	V	-79.28	23.75	-55.53		
1346.00	Horizontal	-58.46	23.40	-35.06		
2019.00	H	-62.56	23.69	-38.87		
2692.00	H	-76.09	23.75	-52.34		

Band	Band 71(QPSK, 20MHz)	Test channel:	Middle
Test mode:		Temperature :	25°C
		Relative Humidity:	56%

Note: Spurious emissions within 30-1000MHz were found more than 20dB below limit line.

Frequency (MHz)	Spurious Emission				Limit (dBm)	Result
	Polarization	Level (dBm)	Correction Factor (dB)	Spurious emissions (dBm)		
1366.00	Vertical	-58.35	23.42	-34.93	-13.00	PASS
2049.00	V	-69.51	23.73	-45.78		
2732.00	V	-77.23	23.79	-53.44		
1366.00	Horizontal	-56.92	23.42	-33.50		
2049.00	H	-63.51	23.73	-39.78		
2732.00	H	-76.94	23.79	-53.15		

Band	Band 71(QPSK, 20MHz)	Test channel:	Highest
Test mode:		Temperature :	25°C
		Relative Humidity:	56%

Note: Spurious emissions within 30-1000MHz were found more than 20dB below limit line.

Frequency (MHz)	Spurious Emission				Limit (dBm)	Result
	Polarization	Level (dBm)	Correction Factor (dB)	Spurious emissions (dBm)		
1376.00	Vertical	-59.52	23.46	-36.06	-13.00	PASS
2064.00	V	-70.04	23.77	-46.27		
2752.00	V	-80.71	23.81	-56.90		
1376.00	Horizontal	-56.59	23.46	-33.13		
2064.00	H	-66.19	23.77	-42.42		
2752.00	H	-80.10	23.81	-56.29		

Band	Band 71(16QAM, 20MHz)	Test channel:	Lowest
Test mode:		Temperature :	25°C
		Relative Humidity:	56%

Note: Spurious emissions within 30-1000MHz were found more than 20dB below limit line.

Frequency (MHz)	Spurious Emission				Limit (dBm)	Result
	Polarization	Level (dBm)	Correction Factor (dB)	Spurious emissions (dBm)		
1346.00	Vertical	-59.10	23.40	-35.70	-13.00	PASS
2019.00	V	-63.26	23.69	-39.57		
2692.00	V	-79.98	23.75	-56.23		
1346.00	Horizontal	-57.49	23.40	-34.09		
2019.00	H	-65.02	23.69	-41.33		
2692.00	H	-76.30	23.75	-52.55		

Band	Band 71(16QAM, 20MHz)	Test channel:	Middle
Test mode:		Temperature :	25°C
		Relative Humidity:	56%

Note: Spurious emissions within 30-1000MHz were found more than 20dB below limit line.

Frequency (MHz)	Spurious Emission				Limit (dBm)	Result
	Polarization	Level (dBm)	Correction Factor (dB)	Spurious emissions (dBm)		
1366.00	Vertical	-58.20	23.42	-34.78	-13.00	PASS
2049.00	V	-68.73	23.73	-45.00		
2732.00	V	-77.22	23.79	-53.43		
1366.00	Horizontal	-56.58	23.42	-33.16		
2049.00	H	-65.64	23.73	-41.91		
2732.00	H	-77.46	23.79	-53.67		

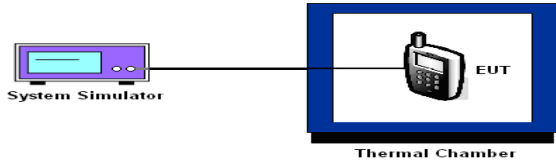
Band	Band 71(16QAM, 20MHz)	Test channel:	Highest
Test mode:		Temperature :	25°C
		Relative Humidity:	56%

Note: Spurious emissions within 30-1000MHz were found more than 20dB below limit line.

Frequency (MHz)	Spurious Emission				Limit (dBm)	Result
	Polarization	Level (dBm)	Correction Factor (dB)	Spurious emissions (dBm)		
1376.00	Vertical	-59.56	23.46	-36.10	-13.00	PASS
2064.00	V	-68.86	23.77	-45.09		
2752.00	V	-77.51	23.81	-53.7		
1376.00	Horizontal	-56.30	23.46	-32.84		
2064.00	H	-65.46	23.77	-41.69		
2752.00	H	-79.82	23.81	-56.01		

6.6. Frequency Stability Measurement

6.6.1. Test Specification

Test Requirement:	FCC part 27.54, FCC part 22.355, 24.235
Test Method:	FCC Part 2.1055
Limit:	±2.5 ppm
Test Setup:	 <p>The diagram illustrates the test setup. On the left, a 'System Simulator' is connected via a cable to an 'EUT' (Equipment Under Test) which is housed inside a 'Thermal Chamber'.</p>
Test Procedure:	<p>Test Procedures for Temperature Variation</p> <ol style="list-style-type: none"> 1. The testing follows FCC KDB 971168 D01v03 Section 9.0. 2. The EUT was set up in the thermal chamber and connected with the system simulator. 3. With power OFF, the temperature was decreased to -30°C and the EUT was stabilized before testing. Power was applied and the maximum change in frequency was recorded within one minute. 4. With power OFF, the temperature was raised in 10°C steps up to 50°C. The EUT was stabilized at each step for at least half an hour. Power was applied and the maximum frequency change was recorded within one minute. <p>Test Procedures for Voltage Variation</p> <ol style="list-style-type: none"> 1. The testing follows FCC KDB 971168 D01v03 Section 9.0. 2. The EUT was placed in a temperature chamber at 25±5° C and connected with the system simulator. 3. The power supply voltage to the EUT was varied from BEP to 115% of the nominal value measured at the input to the EUT. 4. The variation in frequency was measured for the worst case. 5. The worst case(worst bandwidth) for frequency stability reported in the Test Data. The worst bandwidth is as follow: 1.4M is for LTE Band 2, 1.4M is for LTE Band 4, 1.4M is for LTE Band 5, 1.4M is for LTE Band 12, 5M is for LTE Band 13, 1.4M is for LTE Band 66, 5M is for LTE Band 71
Test Result:	PASS

6.6.2. Test Instruments

Equipment	Manufacturer	Model	Serial Number	Calibration Due
Wideband Radio Communication Tester	R&S	CMW500	114220	Jul. 27, 2021
Programable tempratuce and humidity chamber	JQ	JQ-2000	N/A	Sep. 02, 2021
DC power supply	Kingrang	KR3005K 30V/5A	N/A	Sep. 02, 2021
RF cable (9kHz-40GHz)	TCT	RE-04	N/A	Sep. 02, 2021
Antenna Connector	TCT	RFC-03	N/A	Sep. 02, 2021

Note: 1. The calibration interval of the above test instruments is 12 months and the calibrations are traceable to international system unit (SI).

Appendix A: Photographs of Test Setup

Refer to the test report No. TCT210423E044

Appendix B: Photographs of EUT

Refer to the test report No. TCT210423E030

**Test Data for Appendix For LTE Band 2, Appendix For LTE Band 4,
Appendix For LTE Band 5, Appendix For LTE Band 12, Appendix For LTE
Band 13, Appendix For LTE Band 14, Appendix For LTE Band 66 and
Appendix For LTE Band 71**

*******END OF REPORT*******