



SETUP PHOTOS

Report Number. : R11694639-EP1

Applicant : MAGIC LEAP, INC.
7500 WEST SUNRISE BOULEVARD
PLANTATION, FL 33322, USA

Model : M2001

FCC ID : 2AM5NM2000

IC : 23045-M2000

EUT Description : MAGIC LEAP ONE - CONTROL

Test Standard(s) : FCC 47 CFR PART 15 SUBPART C
ISED RSS-210 ISSUE 9

Date Of Issue:

June 04, 2018

Prepared by:

UL LLC

12 Laboratory Drive

Research Triangle Park, NC 27709 U.S.A.

TEL: (919) 549-1400



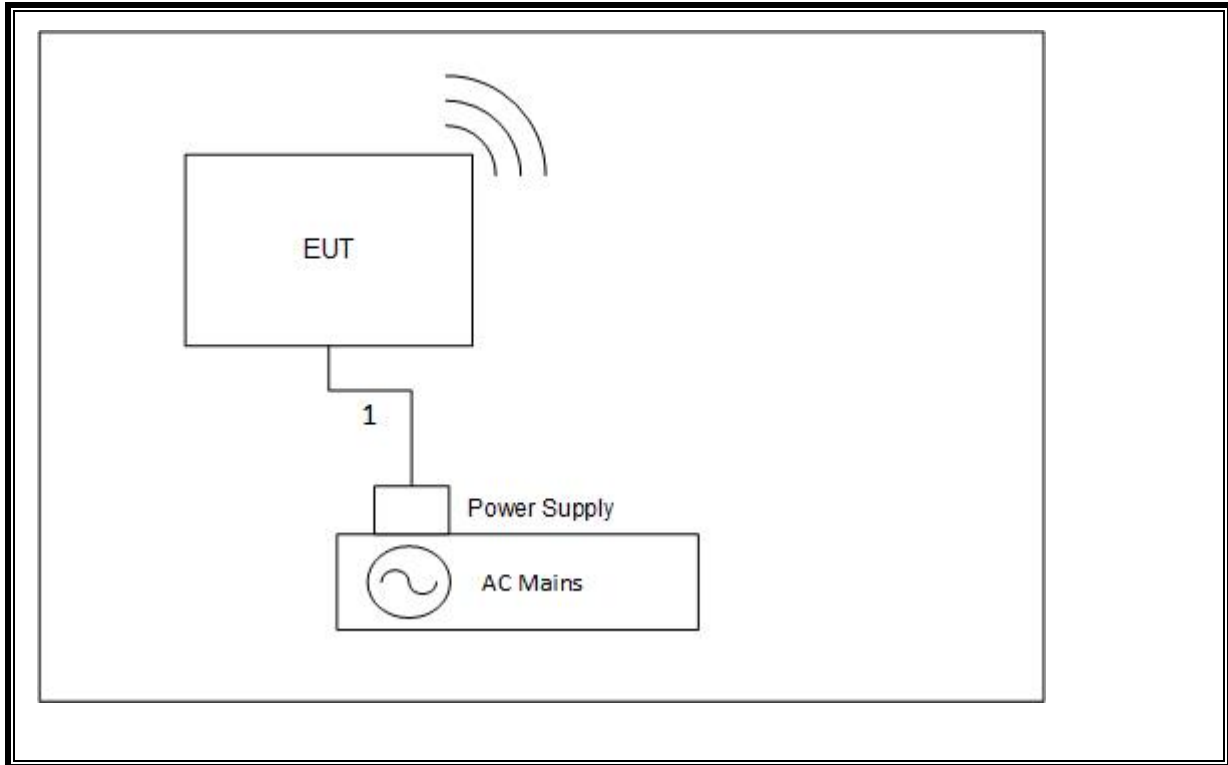
Revision History

<u>Ver.</u>	<u>Issue Date</u>	<u>Revisions</u>	<u>Revised By</u>
1	2018-06-04	Initial Issue	Brian T. Kiewra

TABLE OF CONTENTS

1. SETUP DIAGRAM FOR TESTS	4
2. SETUP PHOTOS.....	5
END OF REPORT	10

1. SETUP DIAGRAM FOR TESTS

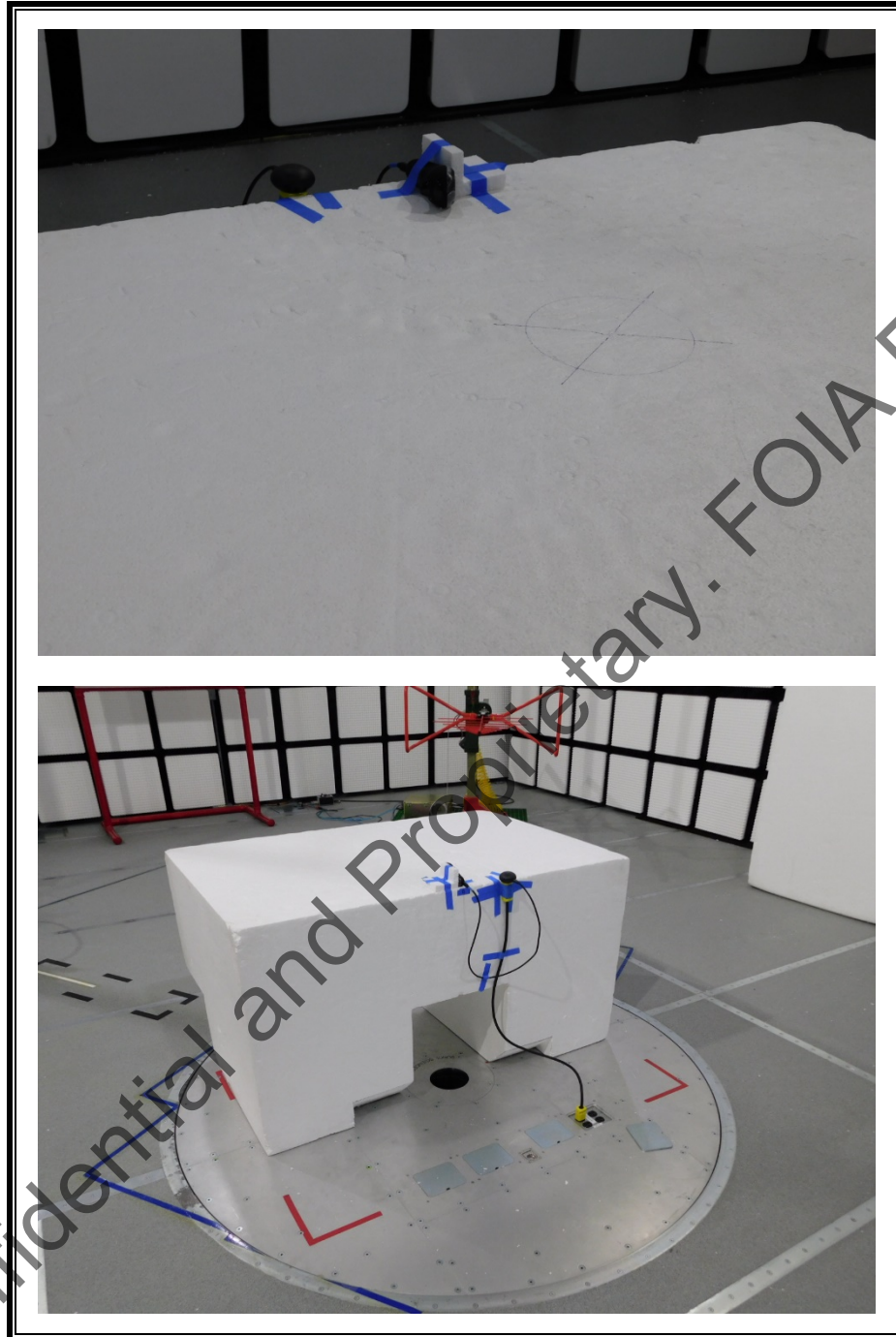


2. SETUP PHOTOS

RADIATED EMISSION BELOW 30 MHz



RADIATED EMISSION ABOVE 30 MHz

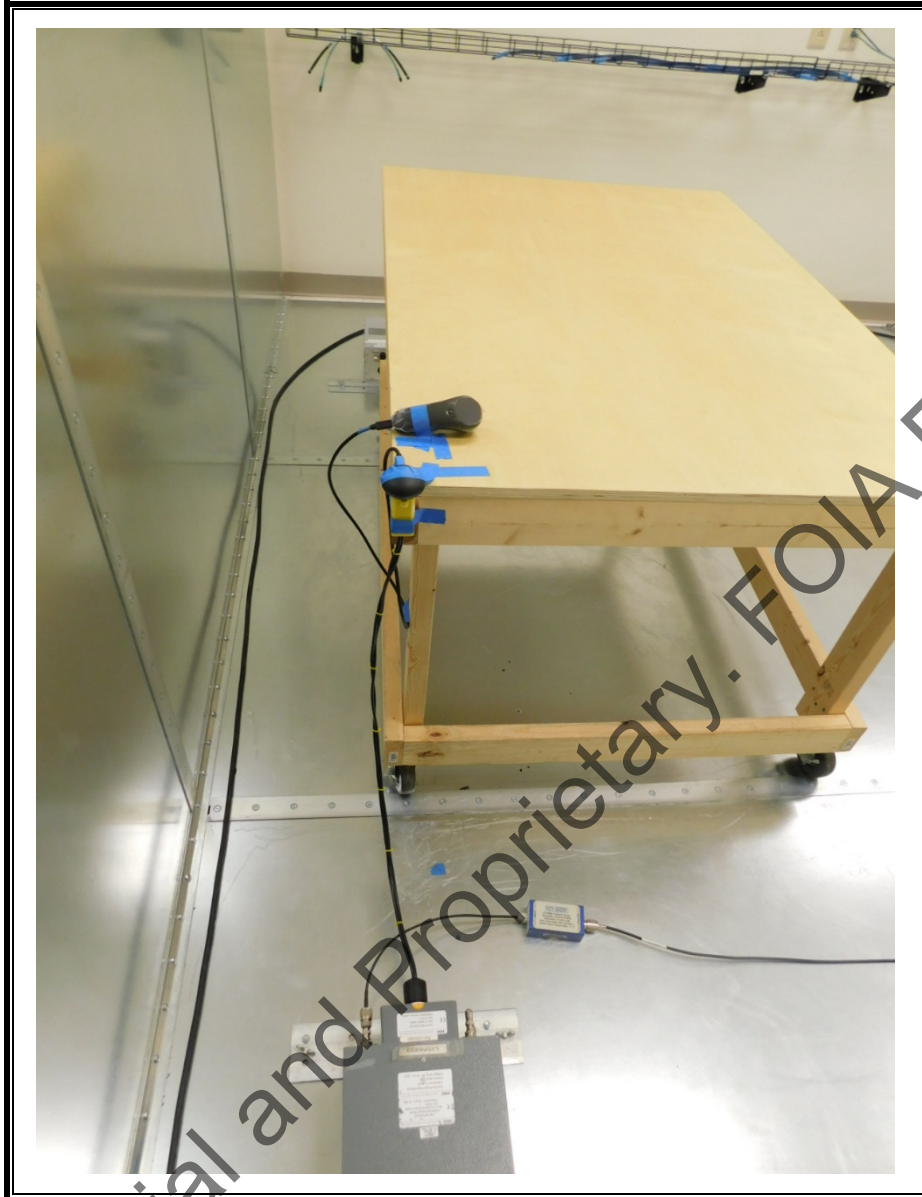


Confidential and Proprietary. FOIA Exempt

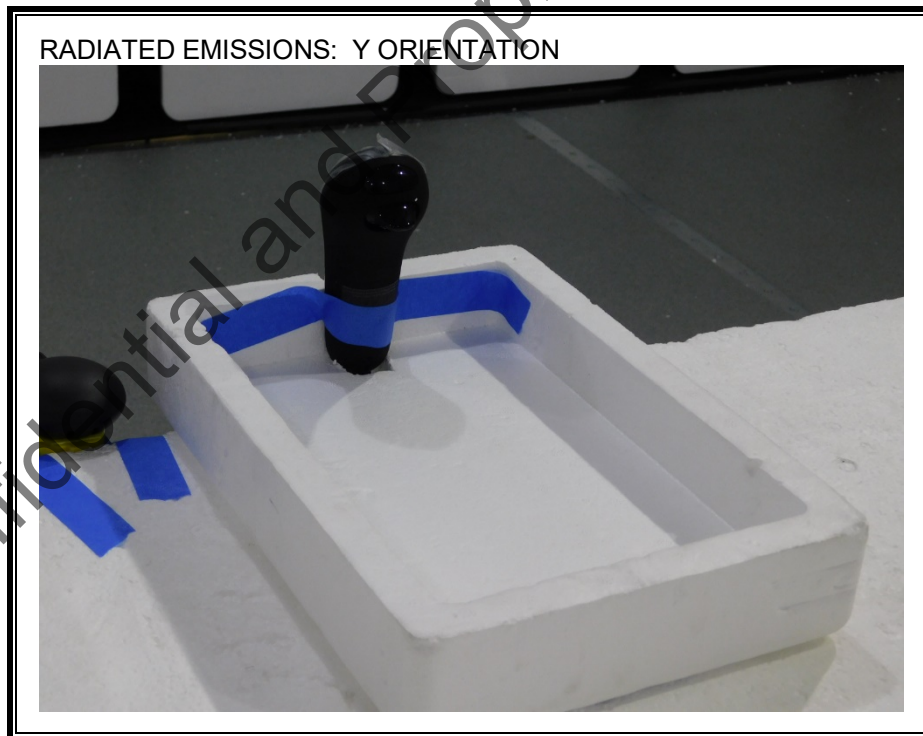
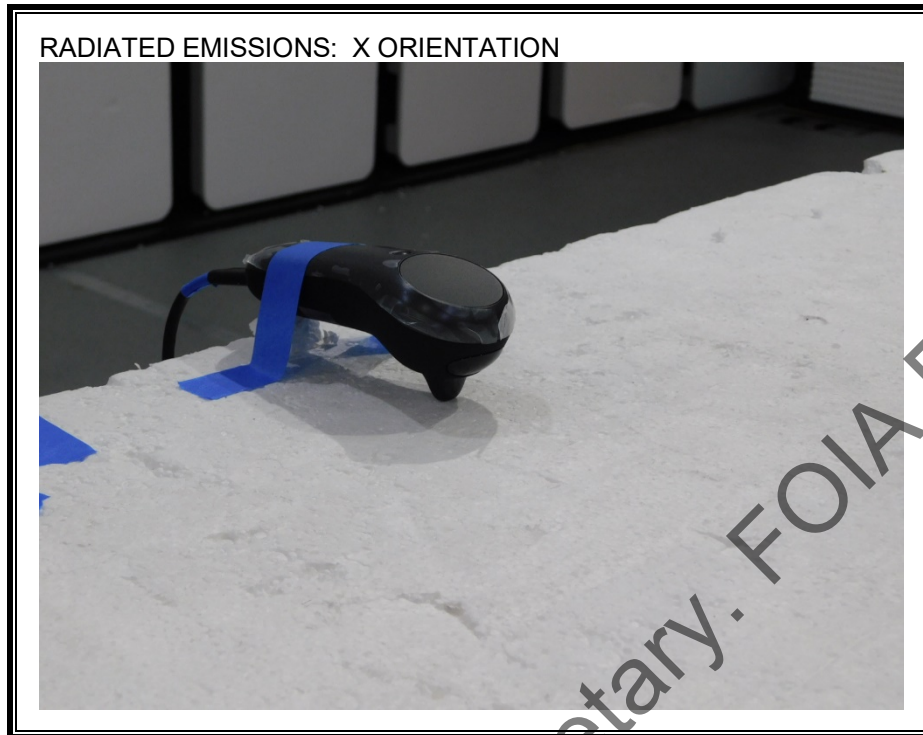
AC MAINS LINE CONDUCTED EMISSION

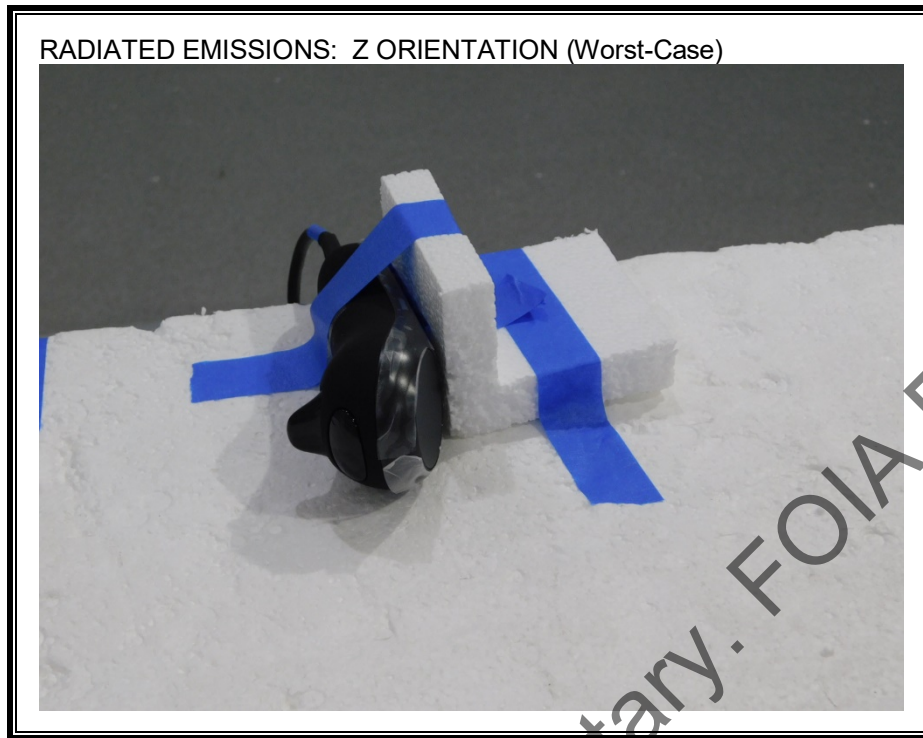


Confidential and Proprietary - FOIA Exempt



RADIATED EMISSION XYZ INVESTIGATION AT FUNDAMENTAL





END OF REPORT

Confidential and Proprietary. FOIA Exempt