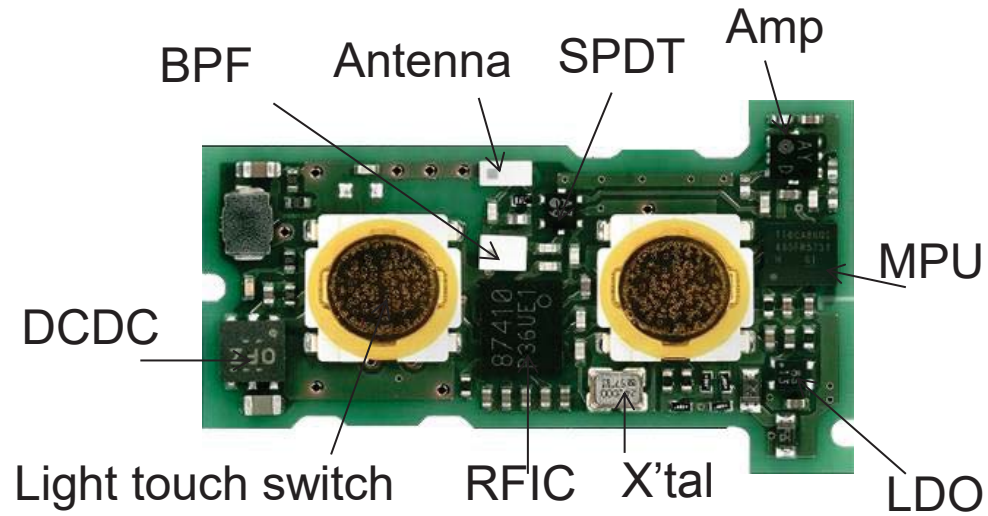


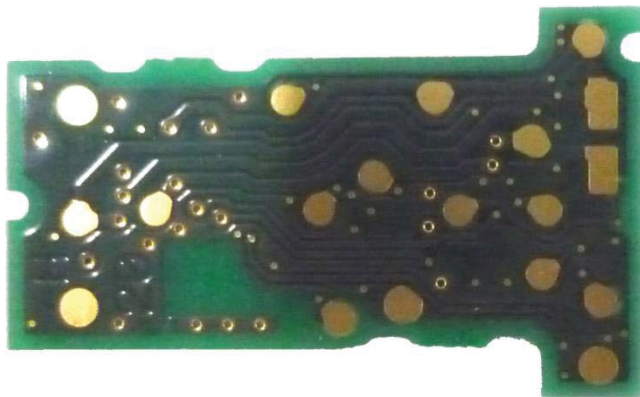
Product photo (inside)



Front of built-in board



Built-in board position of the product



Back of built-in board