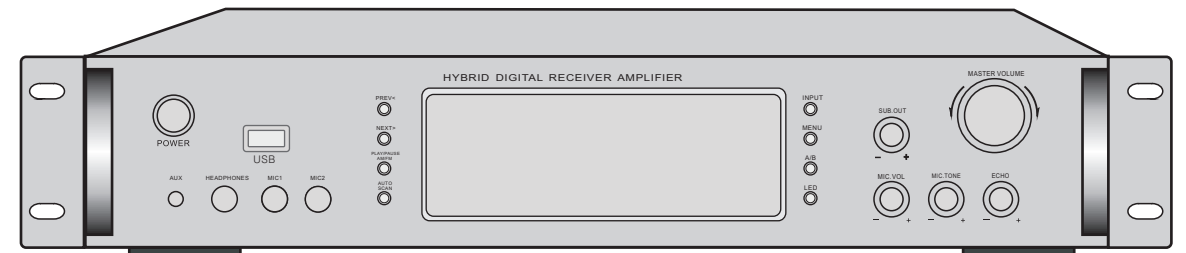


Studio-Z[®]

HYBRID DIGITAL RECEIVER AMPLIFIER

Owner's Manual



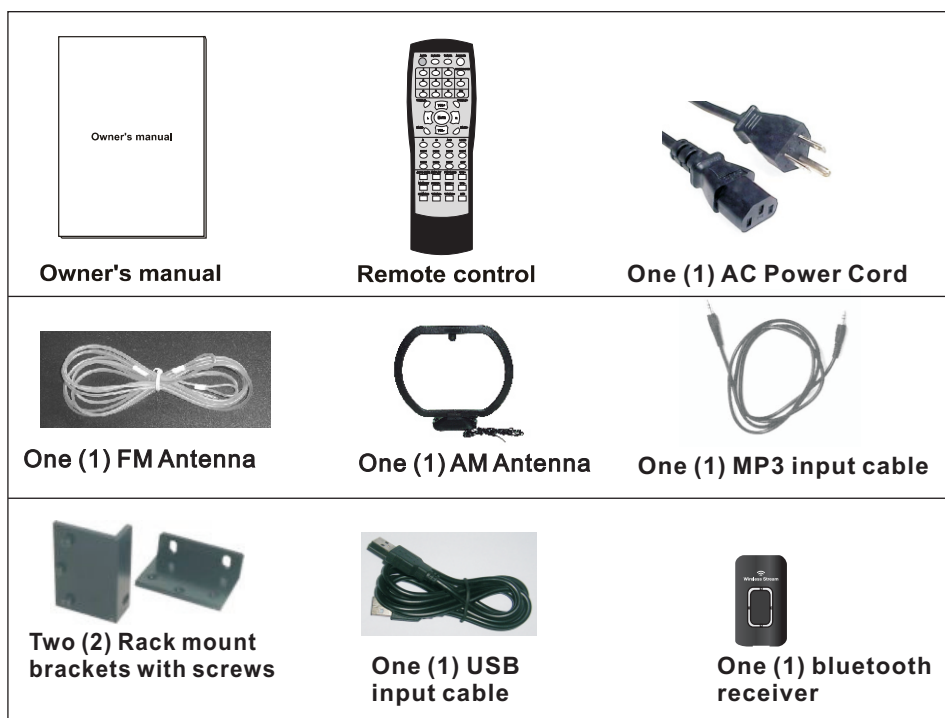
SPA-3000BT

Table of contents

Foreword ----- 1
 Features ----- 1
 Precautions ----- 2
 Technical specifications ----- 3
 Front panel function ----- 4
 Rear panel function ----- 5
 Remote device function ----- 6
 Connecting to amplifier ----- 7
 Safety instructions ----- 8
 Bluetooth function ----- 9

What is Included:

- Owner's manual ----- 1
- Remote control ----- 1
- One AC Power Cord ----- 1
- FM Antenna 1Piece ----- 1
- AM Antenna 1Piece ----- 1
- One (1) MP3 input cable ----- 1
- Two (2) Rack mount brackets with screws ----- 2
- One (1) USB input cable ----- 1
- One (1) bluetooth receiver ----- 1



BLUETOOTH FUNCTION

1. Connect the bluetooth receiver to Bluetooth receiver input jack on rear panel with the cable. Connection should be done before turn on the amplifier.
2. Turn on the amplifier and select bluetooth input. Active bluetooth function on your mobile or other bluetooth device. Pair it to the bluetooth device named SPA-BT1 then you can play audio on the amplifier via bluetooth.

NOTES:

1. Available operation range of Bluetooth function of the unit is 10 meters. Be sure there are no obstacles between the unit and your mobile phone or it will affect the Bluetooth effect then cause the sound brokenly.
2. This operation only available for device with bluetooth function such as mobiles and pad computers.
3. Above operation is based on iPhone 5S. Different bluetooth devices may have different setting and step to play music via bluetooth. Please follow the instruction of your bluetooth device and connect it to this amplifier accordingly.

California Prop 65 Warning
⚠ WARNING:
 This product contains Lead (Pb) which is known to the state of California to cause cancer birth defects and other reproductive harm. Do not ingest.
 For more info go to: www.P65warnings.ca.gov

FCC statement

This device complies with Part 15 of the FCC rules. Operation is subject to the following two conditions:

- 1) This device may not cause interference.
- 2) This device must accept any interference, including interference that may cause undesired operation of the device.

Note: This equipment has been tested and found to comply with the limits for a Class B digital device, pursuant to part 15 of the FCC Rules. These limits are designed to provide reasonable protection against harmful interference in a residential installation. This equipment generates uses and can radiate radio frequency energy and, if not installed and used in accordance with the instructions, may cause harmful interference to radio communications. However, there is no guarantee that interference will not occur in particular installation. If this equipment does cause harmful interference to radio or television reception, which can be determined by turning the equipment off and on, the user is encouraged to try to correct the interference by one or more of the following measures:

- Reorient or relocate the receiving antenna.
- Increase the separation between the equipment and receiver.
- Connect the equipment into an outlet on a circuit different from that to which the receiver is connected.
- Consult the dealer or an experienced radio/TV technician for help.

Changes or modifications not expressly approved by the party responsible for compliance could void the user's authority to operate the equipment. FCC Radiation Exposure Statement This device complies with FCC RF radiation exposure limits set forth for an uncontrolled environment. This transmitter must not be co-located or operating in conjunction with any other antenna or transmitter.

SAFETY INSTRUCTIONS

1. Make sure that all connections are properly connected and the main volume is set to minimum level before turning on the unit.
2. When more than one pair of speakers are used, (specially the main speaker output) make sure that the speakers used are of the same wattage and impedance, otherwise the unit maybe damaged under high power or long term operation.
3. To avoid humming sounds and unwanted noise, make sure that all the wires are properly inserted.
4. For speaker cords, strip off the vinyl coating and twist the wire tip. Push down the pink jack or loosen the screw terminal, before inserting the wire tip, then fasten it and tighten the screw. Be careful not to let the wires stick out of the terminal otherwise this may cause a short circuit when wires of different terminal contact each other.
5. After the unit is turned on, adjust the main volume to the desired level same is true with the bass and treble volume, etc.

Foreword

Thank you for purchasing this fine amplifier.

Please read this operating instructions carefully before using. It will acquaint you fully with all its features and help you enjoy your time .

The product adopts the most advanced digital technique in the world. It is 4 channels with its high power output, so to speak, the real acoustic centre of your family movie theatre. It is designed to be multi-funtional AM/FM Tuner, MP3/Ipod input jack, headphone input jack. It is a product of the finest accompanying acoustic amplifier, when applied to TUNER, AUX/USB, DVD/CD, BLUETOOTH etc. The brings you the first ever Hybrid Amplifier with designed Sub out and Pre out to adjust to every situation.

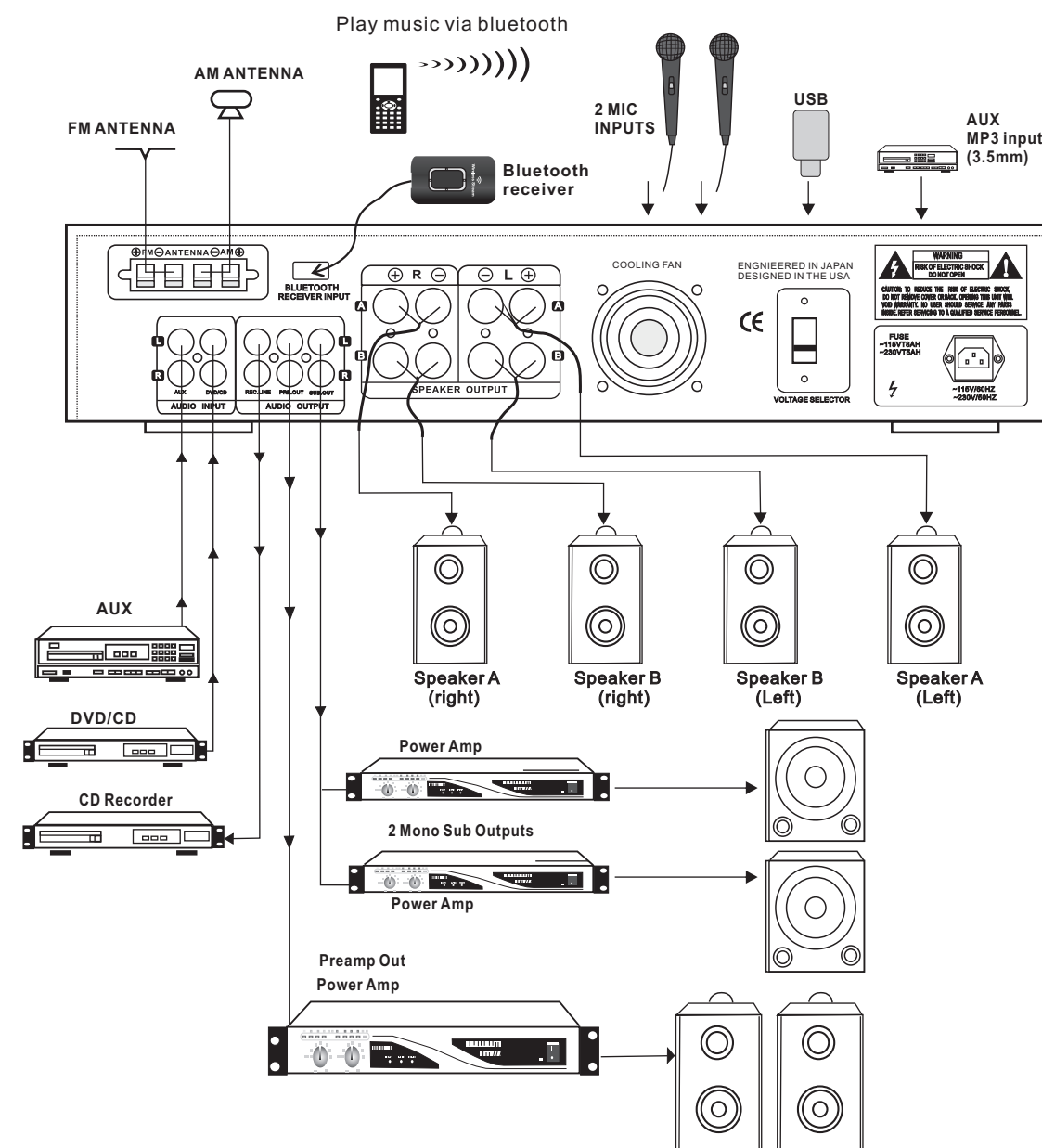
Features

- External bluetooth function
- Powers 4 loudspeakers
- Separate gain control for preamp and subwoofer
- Inputs: rca (2 audio sources)
- Outputs: banana binding post (to speakers)
- 1 rca dedicated for record line output
- 2 mono rca dedicated for subwoofer output
- 1 rca dedicated for preamp output
- Digital fluorescent output display meter
- 3.5mm mp3 input with cable
- 110-220v switchable
- Am/fm quartz synthesized tuner
- Auto station seek
- USB Reader function

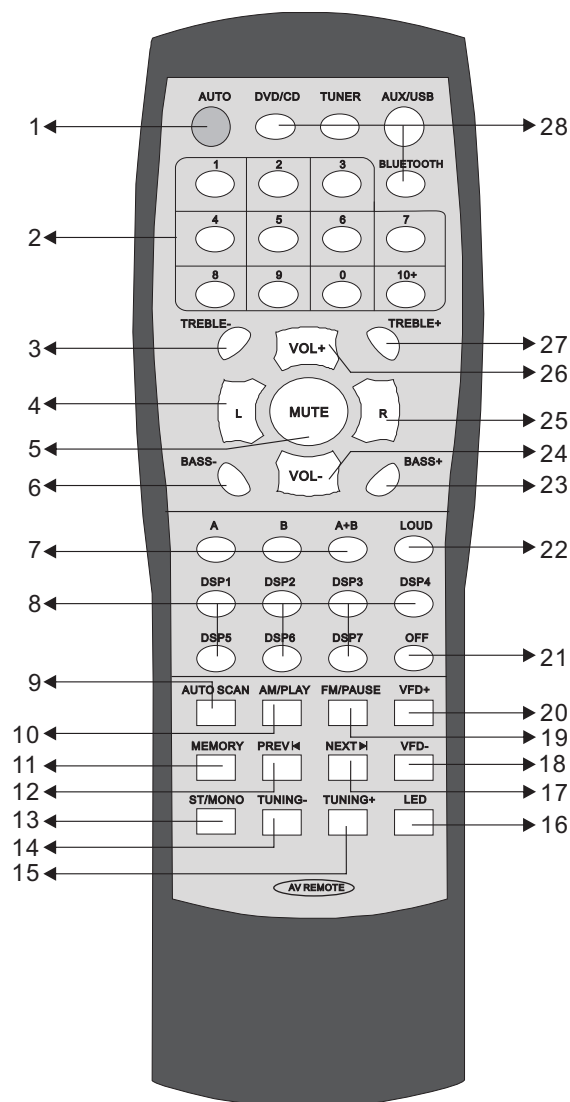
Precautions

1. Power source-The unit should be connected to a power supply AC~110V/60Hz, AC~220V/50Hz.
2. Ventilation-The unit should be situated so that its location or position does not interfere with its proper ventilation. Place the unit at least 10cm away from the walls.
3. Water and moisture-The unit should not be used near water-for example, near a swimming pool in a wet basement, etc.
4. Electric shock-if a metal object, such as hair pin or needle comes into contact inside this unit, a dangerous electric shock may result. For families with children, never permit children to put anything, especially metal, inside this unit.
5. Enclosure removal-Never remove the enclosure. If the internal parts are touched accidentally, a serious electric shock might occur.
6. Abnormal smell-if an abnormal smell or smoke is detected, immediately turn the power OFF and pull out the power cord. Contact your dealer or nearest service station.

Connecting to amplifier



Remote



1. AUTO
Automatically search the signal source when power on.
2. DIGITAL
Tuning am/fm number butto
- 3\27. TREBLE- TREBLE+
Master treble down and up
- 4\25. L/R
Left / Right Balance Control
5. MUTE
Mute Selector
- 6\23. BASS- BASS+
Master bass down and up
7. SPEAKER
Speaker (A\B\A+B) selector
8. DSP
Music dsp selector
9. AUTO SCAN
AM/FM auto scan selector, scan and store stations auto matically. Can store 50 stations.
10. AM/PLAY
Multi-functional key, it is AM selector when it is TUNER, and it means PLAY when you use USB.
11. MEMORY
After a station has been found, press MEMORY button then the display will indicate a channel number for example CH 1 and bling, press MEMORY again to store the sation.
- 12\17. PREV◀ NEXT▶
Station preview and next selector.when you play USB,it means preview song or next song.
13. ST/MONO
Stereo and mono selector.
- 14\15. TUNING- TUNING+
The two keys are used to adjust to the best signal of the stations.
16. LED
Led mode selector
- 18\20. VFD- VFD+
Vfd down and up selector
- 19.FM/PAUSE
Multi-functional key, it is FM selector when it isTUNER, and it means PAUSE when you use USB.
21. OFF
Music dsp off selector
22. LOUD
Press the button to increase both bass and treble.
- 24\26. VOL- VOL+
Master volume down and up
- 28.DVD/CD TUNER AUX/USB BLUETOOTH
Signal input selector

Remote Control Operation

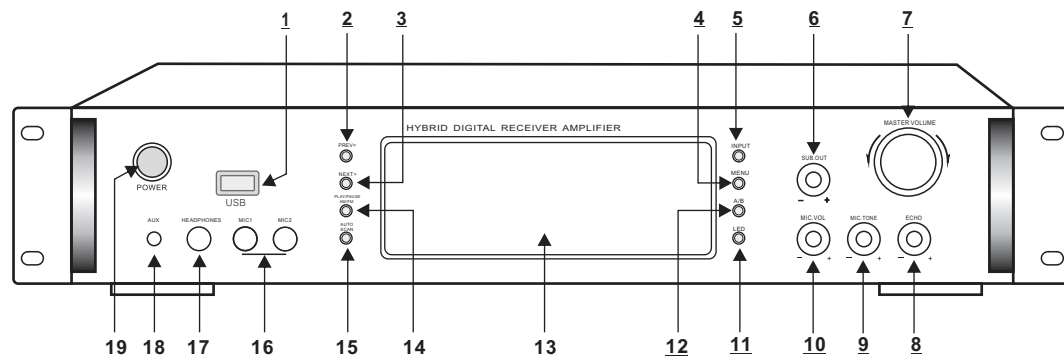
1. Remote control should be operated within 6 meters and the scope of 30° in front of receiver.
2. Make sure that there is no big obstacle between remote control and machine.
3. Remote sensor should be far away from the light,high amounts of light can affect its performance.

Technical Specifications

Technical	
Main Channel Power Output PMPO,8 Ohms, 1KHz test	3000Watts
THD(1KHz)	<1%
Normal Load Impedance	8 Ohm
Input Sensitivity Impedance DVD/CD AUX Microphone	400mV/33k Ohm 6mV/600 Ohm
Signal to Noise Ratio Pure Amplifier KARAOKE	76dB 71dB
Frequency Range Frequency Response(40Hz-15KHz)	±2dB
Tone Characteristic(100Hz-10KHz)	±14dB
Power Requirements	AC~110V/60Hz AC~220V/50Hz

※ Specifications subject to change without prior notice

Front panel



(1) USB INPUT JACKS

Please notes that this USB only can read MP3 form files,not supportable for PWA files. In case of any damage to this unit, When you take USB out,please select the button “PAUSE” or other input source.

(2) PREV <

When it is TUNER,it means the preview station;When it is USB, it means the preview song.

(3) NEXT >

When it is TUNER,it means the next station; When it is USB,it means the next song.

(4) MENU CONTROL

This is used to increment and decrement level for the selected function of Master Volume , Bass , Treble, Balance. Auto station seek.

(5) INPUT

This is used to select the input sources DVD/CD,TUNER,AUX/USB,BLUETOOTH

(6) SUB.OUT VOLUME CONTROL

(7) MASTER VOLUME CONTROL

Adjusts the volume level. Turn the knob. clockwise to increase the volume.

(8) ECHO CONTROL

Turn the knob to adjust the MIC echo level.

(9) MIC TONE

Adjusts the tone of MIC.

(10) MIC VOLUME

Adjusts the volume level. Turn the knob clockwise to increase the MIC volume.

(11) LED

Adjust the blue lights and blue rings.

(12) A/B SPEAKERS OUTPUT SELECTOR

Three modes: A、B、A+B

(13) FUNCTION DISPLAYED FLUORESCENT WINDOW

(14) AM/FM、PLAY/PAUSE

Press it to select AM/FM when it is tuning, and to play or pause when you use USB input.

(15) AUTO SCAN

AM/FM auto scan selector, scan and store stations automatically. Can store 50 stations.

(16) MIC INPUT JACKS 1&2

KARAOKE MIC connect to these jacks.

(17) HEADPHONE JACK

Headphone connect to this jack.

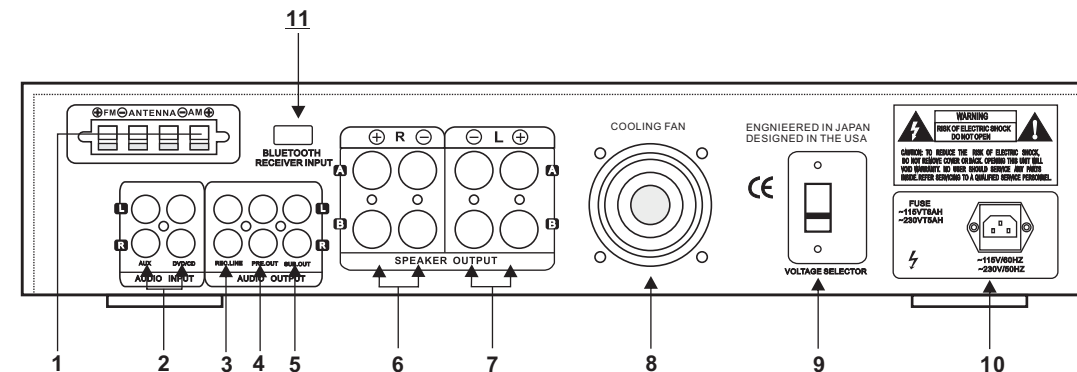
(18) AUX JACK (3.5mm)

AUX and MP3 connect to this jack.

(19) POWER SWITCH

Press to switch the power unit ON or OFF.

Rear panel



(1)TUNER ANT

Connect for AM and FM antennas.

(2) AUDIO INPUT JACKS

Connect the audio output jacks of DVD/CD、AUX to these jacks.

(3) REC.LINE OUTPUT JACKS

Connect the RECORD input jacks to these jacks.

(4) PRE OUTPUT JACKS

Connect the professional input jacks to these jacks.

(5) SUB-WOOFER OUTPUT JACKS 1&2

(6) A B (Right)SPEAKER OUTPUT TERMINALS

Connect your speaker system to these terminals.

(7) A B (Left) SPEAKER OUTPUT TERMINALS

Connect your the other speaker system(s) to these terminals.

(8) COOLING FAN

(9) 110V/220V SWITCH

According to power voltage ,push this button to the station of the 110V or 220V.

(10) POWER CORD

Connect to AC 110V/60Hz&220V/50Hz outlet.

(11) BLUETOOTH RECEIVER INPUT JACK

Connect the bluetooth receiver to this jack with cable to play music on bluetooth device via bluetooth