

# 6-outlet total control ground stake MH-28012

With 12-Button transmitter  
MH-242



## HYBLU



Available on the iPhone

App Store



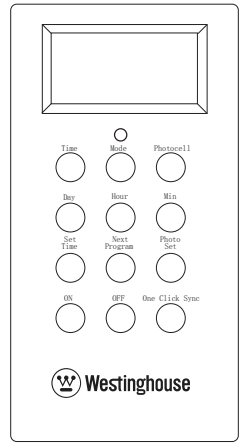
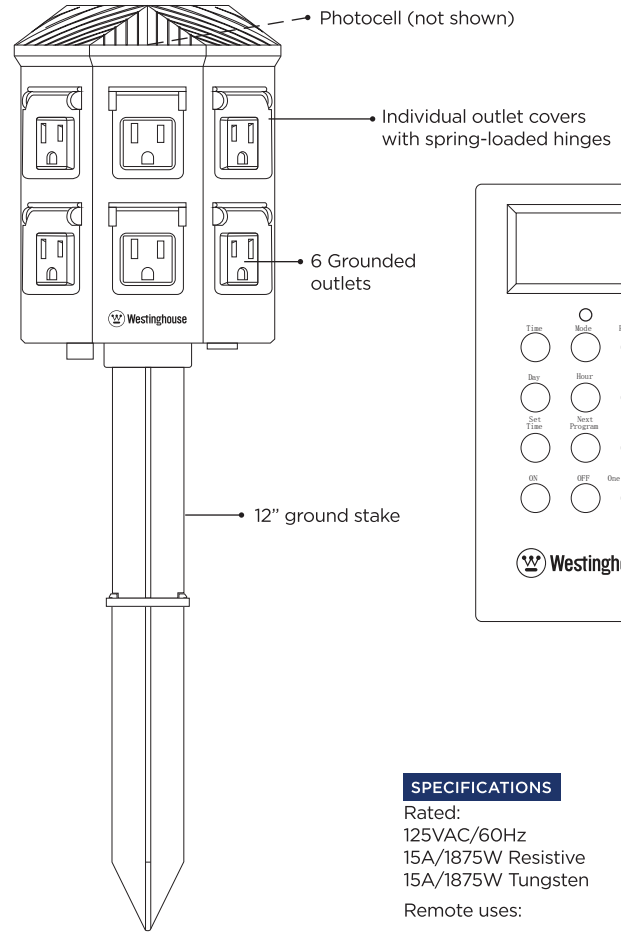
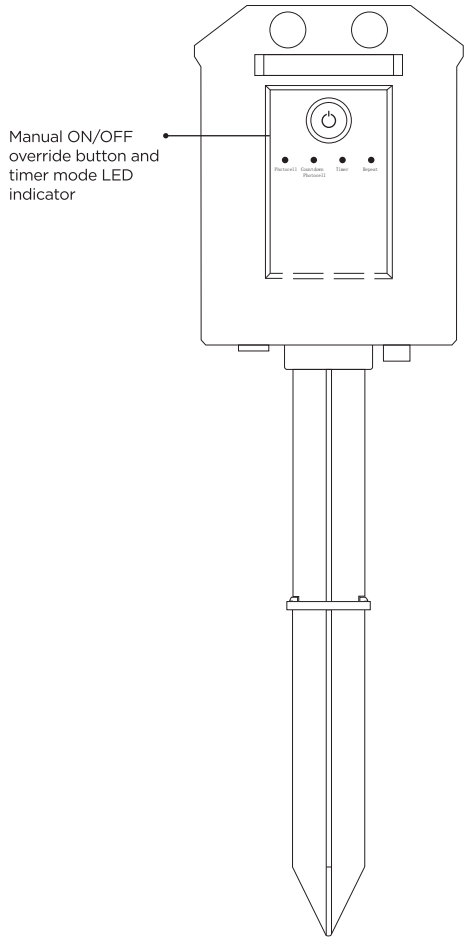
ANDROID APP ON

Google play



# Bluetooth®

Model/Modèle #MH-28012



**SPECIFICATIONS**

Rated:  
125VAC/60Hz  
15A/1875W Resistive  
15A/1875W Tungsten  
Remote uses:

1. Download the HYBLU app from the Google play or Apple App store.
2. Plug your socket in
3. Open the HYBLU App.
4. The HYBLU App will automatically discover new sockets
5. To change the name of your socket, tap on the default name created by the App.
6. Tap on modify device name
7. Name your new socket and press done. (Sometimes pressing back button or return key on the keyboard is necessary to reveal "Done" located at the bottom right corner of the screen.

#### Each Bluetooth socket is paired with a default password (123456).

To prevent anyone on the outside from connecting to your sockets follow the steps below.

1. Tap on the name of socket
2. Tap on modify password
3. Input the new password and confirm password.  
Passwords must match.
4. Tap on "done" at down right side to submit the new password.
5. If the password of your Bluetooth socket does not match the app, the home screen indicates a small red icon at top right side of the sockets on/off icon.
6. Tap on the red icon
7. Input the correct password and submit
8. The red icon will disappear if the password is correct
9. If you forget the password. Located the Manual on/off override button on the Bluetooth socket. Press and hold the button for 8 seconds. The socket will reset to default password.

#### TIMER FEATURES

The HYBLU app features a built-in timer function to schedule all your Bluetooth devices around the home. Follow the steps below for timer programming.

1. Open the HYBLU app.
2. On the home screen, depending on what type of socket you have (indoor/outdoor), a timer icon will appear to the right of the socket name.



3. Tap on the small icon.
4. Tap on the timer icon located on the lower right corner of the app's screen.
5. The app gives you the option of setting a weekly, countdown or vacation timer.

#### WEEKLY TIMER

You can set 16 separate on/off programs with the HYBLU app. (The current time and day is automatically set your phone.)

In the program field start with **Program 1**.

1. Set the "ON" time in the SET ON TIME field. Tapping on this field will bring up a scrolling menu to select the day or days of the week. If you set a program with multiple days, the OFF time field will be set automatically.
2. Set the "OFF" time in the SET OFF TIME field.
3. Repeat steps above for programs 2-16.

#### COUNTDOWN TIMER

1. Tap the Countdown Timer tab to reveal the countdown setting options.  
The current time is set automatically by the app. The countdown timer will begin counting down from the current time.
2. Preset countdown options are 1 HOUR, 2 HOURS, 3 HOURS, 4 HOURS, 5 HOURS, 6 HOURS, 7 HOURS, 8 HOURS. These presets were made to allow you to set your timer quickly.



If none of the presets are what you require, a manual hour/minute field is located under the preset countdown timers; enter the number of hours/minutes you would like the device to shut down in.

## VACATION MODE

Vacation mode is an additional daily timer that will give your home an appearance that someone is home.

1. Tap on the “Set On Time” to set. A scrolling window will appear to set.
2. Tap on the “Set Off Time” to set. A scrolling window will appear to set.

## TO REVIEW/DELETE TIMER SETTINGS

1. To review your timer settings press the timer icon located to the right of the socket name (On your home screen).  
2. A list of timer settings for that device will appear.
3. To delete this setting tap the delete button located to the right of the timer setting
4. Vacation timer will not have a delete button but rather an exit button. Press the Exit button to turn off the vacation mode setting

## REMOVING UNPLUGGED/UNUSED SOCKETS

1. Place your finger on the right side of the on/off button (Device home page) for the device you would like to remove.
2. Press and hold until a red minus sign appears. Tap on the red minus sign and press ok to confirm.
3. The device is now removed until it is plugged in again.

## ALL ON/OFF

To turn all the sockets on your home page ON or OFF, press the ALL ON or ALL OFF buttons located at the bottom of the home page.

## PHOTOCELL TIMER FEATURES FOR OUTDOOR SOCKETS AND GROUND STAKES

*Outdoor sockets and groundstakes have an added photocell feature.*

At the bottom of the screen you will notice a green slider. In the photocell position, the socket will automatically turn on at dusk and off at dawn. If you press and hold the photocell icon you have the option of changing from dusk to dawn or ON at dusk and OFF after X hours/minutes.

## BLUETOOTH OUTDOOR DIGITAL POWER CENTER REMOTE INSTRUCTIONS

### LCD REMOTE PAIRING

To set up the LCD remote for the first time, plug in the ground stake, push the “power” button for 3 seconds. Then red LED indicator will flash. Push “ON” button of the remote. The remote is now paired with the receiver.

## SAFETY INFORMATION

### ▲ WARNING

DISREGARDING CAUTIONS COULD CAUSE DAMAGE, FIRE, OR FATAL SHOCK.

### ▲ CAUTION

CAUTION - RISK OF FIRE. NOT FOR PERMANENT INSTALLATION. USE ONLY WITH A TOTAL OF 15 AMPERE MAXIMUM

CHRISTMAS-TREE OR OTHER SEASONAL LIGHTING PRODUCTS. DO NOT INSTALL OR USE THIS PRODUCT FOR MORE THAN A 90-DAY PERIOD.

IF USING FOR CHRISTMAS TREES OR DECORATIVE-LIGHTING PRODUCTS THAT ARE NOT MARKED WITH AN AMPERE RATING, DO NOT CONNECT NO MORE THAN 140 SCREW-BASE LAMPS (C7 OR C9) OR 12 STRINGS WITH LAMPS TO THIS GROUND STAKE.

OUTDOOR CORD SETS SHOULD ALWAYS BE PLUGGED INTO A GFCI-PROTECTED RECEPTACLE.

IF USING AN OUTDOOR CORD SET FOR AN EXTENDED PERIOD OF TIME (GREATER THAN 90 DAYS) PLEASE CONSIDER HARD WIRING A PERMANENT OUTDOOR-USE RECEPTACLE RATED FOR YEAR-ROUND USE IN THE AREA THAT POWER IS NEEDED. PLEASE CONTACT A LICENSED ELECTRICIAN FOR PROPER INSTALLATION OF PERMANENT WIRING.

AFTER COMPLETION OF INSTALLATION, THE CONNECTOR SHALL BE MAINTAINED A MINIMUM OF 6 INCHES ABOVE GROUND.

FOR TEMPORARY OUTDOOR INSTALLATION AND USE - NOT TO EXCEED 90 DAYS.

THIS ITEM IS A PHOTOELECTRIC DEVICE AND CONTAINS A LIGHT SENSITIVE PHOTOCELL TO TURN ON AND OFF AUTOMATICALLY. IN ORDER TO OPERATE PROPERLY, BE SURE TO FACE THE PHOTOCELL SENSOR ON THIS DEVICE AWAY FROM ALL NEARBY LIGHT SOURCES.

## TO SET DIGITAL TIMER

Push the **“Time”** button

To Set Current Time While time appears in the LCD.

1. Push the **“Set Time”** button once. The time will be flashing.
2. Push the **“Day”** button until current day appears on top.
3. Push the **“Hour”** button until current hour appears (make sure to cycle through hours until AM or PM appears to the right of the time).
4. Push the **“Min”** button until current minute appears. (Holding **“Min”** button down for more than 3 seconds will make hour advance rapidly.)
5. Push the **“Set Time”** button to complete the program.

## TO SET PROGRAM

1. Push the **“Time”** button.
2. Push the **“Mode”** button. The words **“LD”** will appear. The words **“ERR”** will appear if load failed. The words **“Program 1 ON”** will appear when load finished.
3. Push the **“Set Time”** button once. The time and day will flash in the LCD display.
4. Push the **“Day”** button until the desired day of your program appears.
5. Push the **“Hour”** button until the desired **“ON”** hour appears. Make sure that AM or PM appears as desired.
6. Push the **“Min”** button until the desired **“ON”** minute appears.
7. Push the **“Next Program”** button to complete the program. The words **“Program 1 OFF”** will appear. Repeat steps 2 to 5 to set the time for the timer to power **“OFF”**
8. Repeat ②, ③, ④, and ⑤ above to set the additional ON/OFF times as desired.
9. Push the **“Set Time”** button to return to the current time.
10. Push **“One Click Sync”** button. The programs that are set in the transmitter will upload to the receiver. The words **“ERR”** will appear if upload failed.

## TO USE PHOTOCCELL TIMER

1. Push the **“Photocell”** button
2. Push the **“Mode”** button. The remote will load the program from the receiver. The words **“LD”** will appear in the display. The words **“ERR”** will appear if load failed.

3. Push the **“Photo set”** button once. You will see the words: On at Dusk, Off Hour after Dusk. (This means the plugged-in device will be powered ON when it gets dark, and will shut OFF after set hours.)
4. Push the **“Photo Set”** button repeatedly to cycle through the number of hours after Dusk that your timer will stay on. 00:00 hour means ON at dusk OFF at dawn.
5. Push the **“One Click Sync”** button. The programs that are set in the transmitter will upload to the receiver. The words **“ERR”** will appear if upload failed.

## TO DOWNLOAD YOUR SETTINGS FROM THE RECEIVER TO THE REMOTE

Push the **“Time”** button then Push the **“Mode”** button. The remote will load the program from the receiver. The words **“LD”** will appear. The words **“ERR”** will appear if the load failed. You need to make sure the remote is paired with the receiver. The words **“Program 1 ON”** will appear when load finished.

## TO CLEAR ALL PROGRAMS FROM THE REMOTE

Push the **“ON”** and **“OFF”** button together and hold for 6 seconds. All programs in the remote will be cleared.

## NOTES

- You can program the Photo Cell timer to turn OFF at Dawn, or from 1 to 12 hours after Dusk.
- Be sure to place any lights at least 6ft (1.8m) away from the timer, so that the bulb does not affect the light sensor.

## FCC Statement

This device complies with Part 15 of the FCC rules. Operation is subject to the following two conditions: 1) this device may not cause harmful interference, and 2) this device must accept any interference received, including interference that may cause undesired operation.

Note: This equipment has been tested and found to comply with the limits for a Class B digital device, pursuant to part 15 of the FCC Rules. These limits are designed to provide reasonable protection against harmful interference in a residential installation. This equipment generates uses and can radiate radio frequency energy and, if not installed and used in accordance with the instructions, may cause harmful interference to radio communications. However, there is no guarantee that interference will not occur in particular installation. If this equipment does cause harmful interference to radio or television reception, which can be determined by turning the equipment off and on, the user is encouraged to try to correct the interference by one or more of the following measures:

- Reorient or relocate the receiving antenna.
  - Increase the separation between the equipment and receiver.
  - Connect the equipment into an outlet on a circuit different from that to which the receiver is connected.
  - Consult the dealer or an experienced radio/TV technician for help.
- Changes or modifications not expressly approved by the party responsible for compliance could void the user's authority to operate the equipment.

## FCC Radiation Exposure Statement

This device complies with FCC RF radiation exposure limits set forth for an uncontrolled environment. This transmitter must not be co-located or operating in conjunction with any other antenna or transmitter.