



# **PATSCAN**<sup>TM</sup> **CMR**

**PATSCAN CMR**

**HVIN: CMR-001**

**Model: CMR-v5**

**Patriot One Technologies Inc.**

**FCC ID: 2ALZTCMR**

**IC: 22739-CMR**

This device complies with part 15 of the FCC Rules. Operation is subject to the following conditions: (1) this device may not cause harmful interference, and (2) this device must accept any interference received, including interference that may cause undesired operation.

Operation of this device is restricted to law enforcement, emergency rescue and firefighter personnel. Operation by any other party is a violation of 47 U.S.C. 301 and could subject the operator to serious legal penalties.



4

3

2

1

REVISION HISTORY				
REV.	DESCRIPTION	MODIFIED	APPROVED	DATE
A	INITIAL RELEASE	-		DD-MMM-YYYY

NOTES:

- 1) LABEL TO BE SCREEN PRINTABLE POLYESTER WITH PSA.
- 2) PSA MUST HAVE REMOVABLE BACK LINER
- 3) ENSURE DEVICE IS CLEANED WITH ALCOHOL BEFORE APPLYING PSA TO PRODUCT.
- 4) WHEN APPLYING PSA, USE EVEN PRESSURE AND HOLD PRESSURE FOR MINIMUM 10 SECONDS TO ADHERE.



LABEL TO BE CENTERED AND PLACE ON BOTTOM OF CMR  
ROUGH DIMENSIONS OF LABEL 4"X3"

DESIGNED	DATE	THIS DOCUMENT CONTAINS INFORMATION WHICH IS THE EXCLUSIVE PROPERTY OF PEGMATIS. REPRODUCTION OR USE BY OTHERS IS NOT PERMITTED WITHOUT THE EXPRESS WRITTEN CONSENT OF PEGMATIS.		
-	DD-MMM-YYYY			
DRAWN	DATE			
CALVIN C	DD-MMM-YYYY			
CHECKED	DATE	DESCRIPTION		
-	-			
APPROVED	DATE	CMR LABEL DRAWING		
-	-			
3-RD ANGLE PROJECTION				
SCALE	SHEET	SIZE	DRAWING NO.	REV.
1.000	1 of 2	D	CMR_LABEL_DRAWING	A
UNITS	MM	MODEL		

4

3

2

1

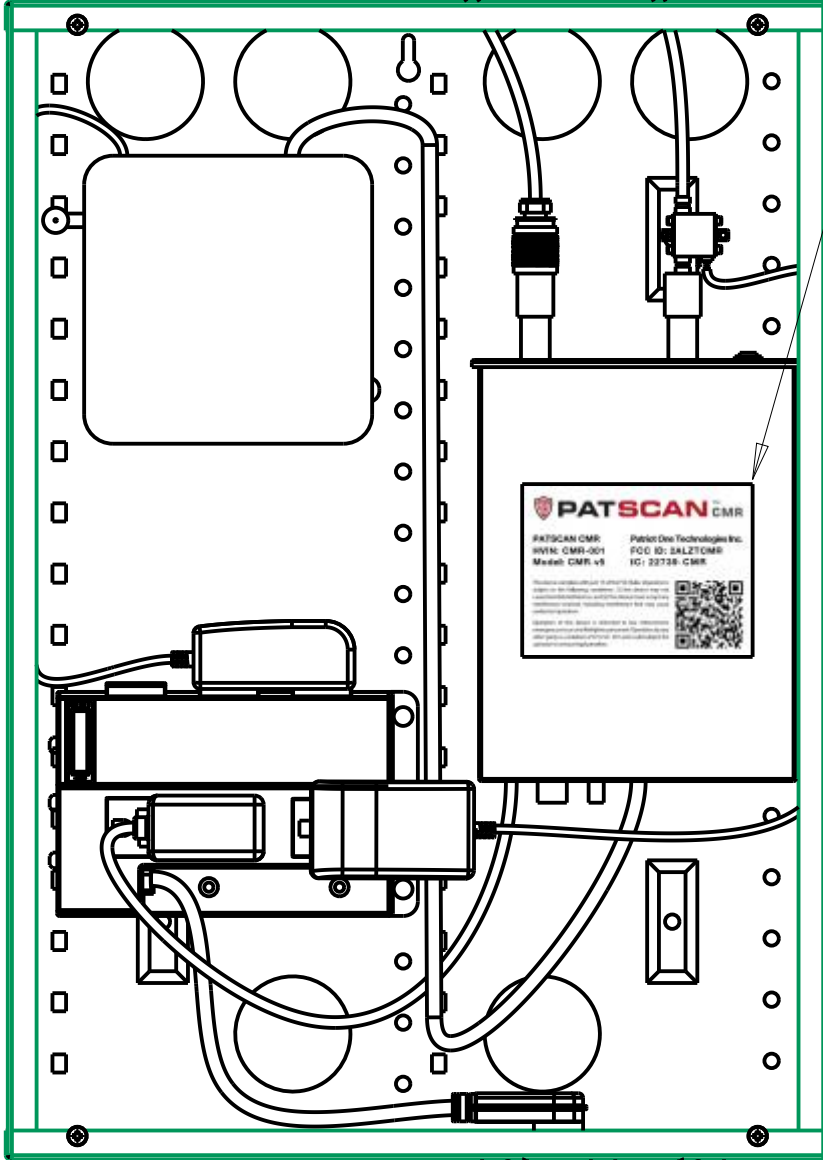
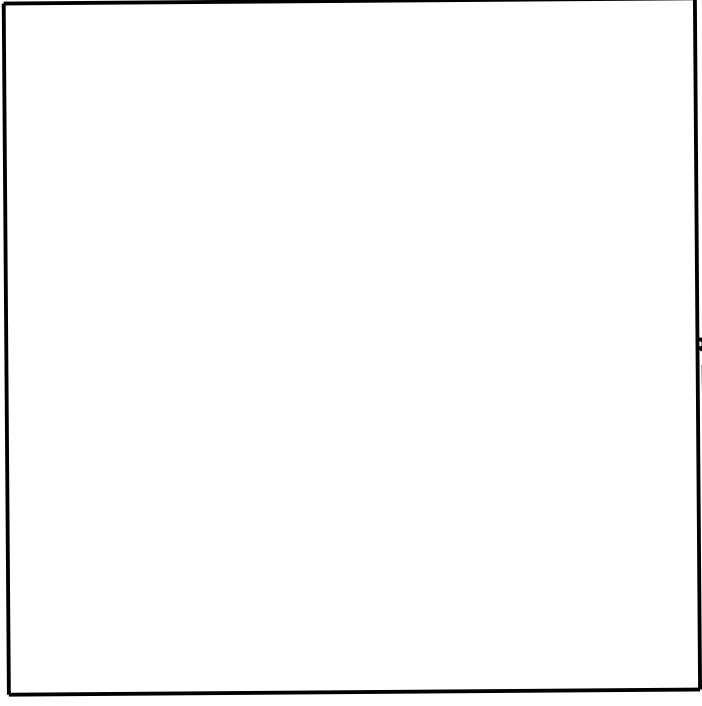
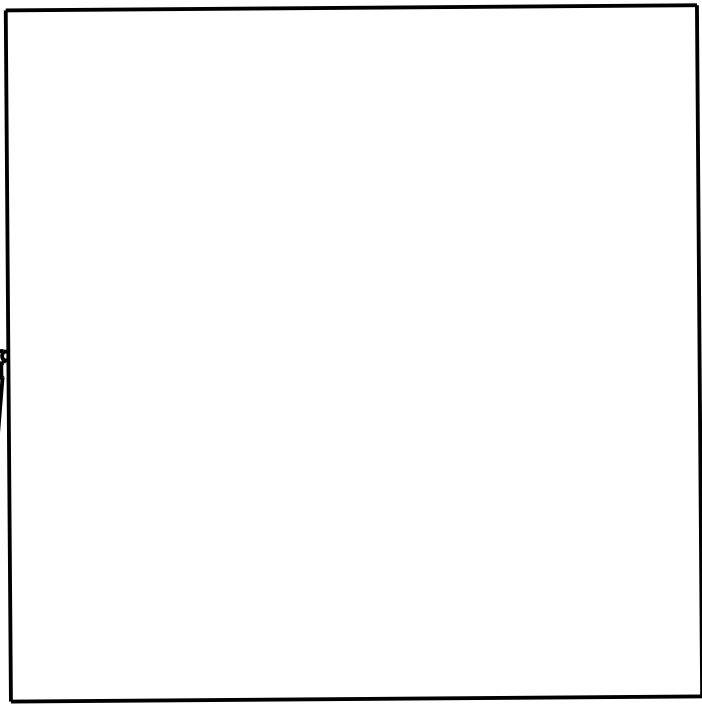
4

3

2

1

REVISION HISTORY				
REV.	DESCRIPTION	MODIFIED	APPROVED	DATE
A	INITIAL RELEASE	-		DD-MMM-YYYY



LABEL TO BE CENTERED AND PLACE ON BOTTOM OF CMR  
ROUGH DIMENSIONS OF LABEL 4"X3"

- NOTES:
- 1) LABEL TO BE SCREEN PRINTABLE POLYESTER WITH PSA.
  - 2) PSA MUST HAVE REMOVABLE BACK LINER
  - 3) ENSURE DEVICE IS CLEANED WITH ALCOHOL BEFORE APPLYING PSA TO PRODUCT.
  - 4) WHEN APPLYING PSA, USE EVEN PRESSURE AND HOLD PRESSURE FOR MINIMUM 10 SECONDS TO ADHERE.
  - 5) THE SERVICE BOX WILL BE SHIPPED WITHOUT THE LID ATTACHED, THEREFORE THE LABEL IS CLEARLY VISIBLE. THE LID IS SHALL BE ATTACHED DURING INSTALLATION OF THE UNIT.

DESIGNED	DATE	THIS DOCUMENT CONTAINS INFORMATION WHICH IS THE EXCLUSIVE PROPERTY OF PEGMATIS. REPRODUCTION OR USE BY OTHERS IS NOT PERMITTED WITHOUT THE EXPRESS WRITTEN CONSENT OF PEGMATIS.				
-	DD-MMM-YYYY					
DRAWN	DATE					
CALVIN C	DD-MMM-YYYY					
CHECKED	DATE	DESCRIPTION				
-	-					
APPROVED	DATE	ASSEMBLY DRAWING WITH LABEL				
-	-					
3-RD ANGLE PROJECTION		SCALE	SHEET	SIZE	DRAWING NO.	REV.
		0.3	2 of 2	D	CMR_LABEL_DRAWING	A
UNITS	MM	MODEL	ARCH_ILL_TOPLVL			

4

3

2

1