



# Hearing Aid Compatibility (HAC) RF Emissions Test Report

**APPLICANT** : GREAT TALENT TECHNOLOGY LIMITED  
**PRODUCT NAME** : Feature Phone  
**MODEL NAME** : F30  
**BRAND NAME** : F30  
**FCC ID** : 2ALZM-F30  
**STANDARD(S)** : 47CFR 20.19  
ANSI C63.19-2011  
**RECEIPT DATE** : 2019-05-21  
**TEST DATE** : 2019-05-29  
**ISSUE DATE** : 2019-06-03

Edited by: Su Jinhai  
Su Jinhai (Rapporteur)

Approved by: Peng Huarui  
Peng Huarui (Supervisor)

**NOTE:** This document is issued by MORLAB, the test report shall not be reproduced except in full without prior written permission of the company. The test results apply only to the particular sample(s) tested and to the specific tests carried out which is available on request for validation and information confirmed at our website.





# DIRECTORY

<b>1. Attestation of Testing Summary.....</b>	<b>5</b>
<b>2. Technical Information.....</b>	<b>6</b>
<b>2.1. Applicant and Manufacturer Information.....</b>	<b>6</b>
<b>2.2. Equipment under Test (EUT) Description.....</b>	<b>6</b>
<b>2.3. Photographs of the EUT.....</b>	<b>7</b>
<b>2.4. Applied Reference Documents.....</b>	<b>7</b>
<b>3. RF Audio Interference Level.....</b>	<b>8</b>
<b>4. Air Interface and Operating Mode.....</b>	<b>9</b>
<b>5. HAC (RF) Measurement System.....</b>	<b>10</b>
<b>5.1. RF Measurement Setup.....</b>	<b>10</b>
<b>5.2. E-Field Probe.....</b>	<b>11</b>
<b>5.3. Data Acquisition Electronics (DAE).....</b>	<b>12</b>
<b>6. RF Measurement Procedure.....</b>	<b>13</b>
<b>6.1. General Guidance.....</b>	<b>13</b>
<b>6.2. RF Test Instructions.....</b>	<b>14</b>
<b>7. Test Equipment List.....</b>	<b>16</b>
<b>8. System Validation.....</b>	<b>17</b>
<b>8.1. Test setup.....</b>	<b>17</b>
<b>8.2. Validation Result.....</b>	<b>18</b>
<b>9. Modulation Interference Factor.....</b>	<b>19</b>
<b>10. Conducted Power.....</b>	<b>21</b>
<b>11. Low-power Exemption.....</b>	<b>22</b>
<b>12. Summary Test Results.....</b>	<b>23</b>
<b>13. Uncertainty Assessment.....</b>	<b>24</b>
<b>Annex A General Information</b>	



REPORT No. : SZ19050247S01

**Annex B Test Setup Photos**  
**Annex C Plots of Performance System Check**  
**Annex D Plots of RF Emission Test Results**  
**Annex E DASY Calibration Certificate**



REPORT No. : SZ19050247S01

<b>Change History</b>		
<b>Version</b>	<b>Date</b>	<b>Reason for change</b>
1.0	2019-06-03	First edition



# 1. Attestation of Testing Summary

Air Interface	Frequency Band	E-field M-Rating
CDMA CMRS Voice	BC0	M4
	BC1	M4



## 2. Technical Information

**Note:** Provide by manufacturer.

### 2.1. Applicant and Manufacturer Information

<b>Applicant:</b>	GREAT TALENT TECHNOLOGY LIMITED
<b>Applicant Address:</b>	RM602,T3 Software Park,Hi-Tech Park South,Nanshan,Shenzhen, China
<b>Manufacturer:</b>	GREAT TALENT TECHNOLOGY LIMITED
<b>Manufacturer Address:</b>	RM602,T3 Software Park,Hi-Tech Park South,Nanshan,Shenzhen, China

### 2.2. Equipment under Test (EUT) Description

<b>EUT Type:</b>	Feature Phone
<b>Hardware Version:</b>	Q2803-V1.0
<b>Software Version:</b>	F30_V1.1.0
<b>Frequency Bands:</b>	CDMA BC0: 824.7MHz ~ 848.31MHz CDMA BC1: 1851.25MHz ~ 1908.75MHz LTE Band 2: 1850MHz ~ 1910MHz LTE Band 4: 1710MHz ~ 1755MHz LTE Band 5: 824MHz ~ 849MHz LTE Band 12: 699MHz ~ 716MHz LTE Band 13: 777MHz ~ 787MHz LTE Band 25: 1850MHz ~ 1915MHz WLAN: 2412 MHz ~2462 MHz Bluetooth: 2402 MHz ~2480 MHz
<b>Modulation Mode:</b>	CDMA2000 1XRTT: QPSK CDMA2000 1XEV-DO: QPSK LTE: QPSK/16QAM 802.11b: DSSS 802.11g/n-HT20/HT40: OFDM Bluetooth: GFSK, $\pi/4$ -DQPSK, 8-DPSK
<b>Antenna type:</b>	PIFA Antenna
<b>SIM cards description:</b>	For Single SIM card version



## 2.3. Photographs of the EUT

**Note:** Please refer to the External Photos for the Photos of the EUT

## 2.4. Applied Reference Documents

**Leading reference documents for testing:**

No.	Identity	Document Title
1	47 CFR§20.19	Hearing aid-compatible mobile handsets.
2	ANSI C63.19-2011	American National Standard Methods of Measurement of Compatibility between Wireless Communications Devices and Hearing Aids
3	KDB 285076 D01	HAC Guidance v05

### 3. RF Audio Interference Level

FCC wireless hearing aid compatibility rules ensure that consumers with hearing loss are able to access wireless communications services through a wide selection of handsets without experiencing disabling radio frequency (RF) interference or other technical obstacles. To define and measure the hearing aid compatibility of handsets, in CFR47 part 20.19 ANSI C63.19 is referenced.

A handset is considered hearing aid-compatible for acoustic coupling if it meets a rating of at least M3 under ANSI C63.19, and A handset is considered hearing aid compatible for inductive coupling if it meets a rating of at least T3. According to ANSI C63.19 2011 version, for acoustic coupling, the RF electric field emissions of wireless communication devices should be measured and rated according to the emission level as below.

**Table 3.1 WD RF audio Interference level categories in logarithmic units**

Emission Categories	E-field Emissions	
	<960MHz	>960MHz
M1	50 to 55 dB (V/m)	45 to 50 dB (V/m)
M2	45 to 50 dB (V/m)	35 to 40 dB (V/m)
M3	40 to 45 dB (V/m)	30 to 35 dB (V/m)
M4	<40 dB (V/m)	<30 dB (V/m)

**Table 3.2 System performance classification table**

System classification	Category sum
	Hearing aid category + telephone category
Usable	Hearing aid category + telephone category = 4
Normal use	Hearing aid category + telephone category = 5
Excellent performance	Hearing aid category + telephone category = ≥6



## 4. Air Interface and Operating Mode

Air Interface	Band	Transport Type	Simultaneous Transmitter	Name of Voice Service	Power Reduction
CDMA	BC0	VO	WLAN&BT	CMRS Voice	No
	EVDO	DT	WLAN&BT	N/A	No
FDD-LTE	Band 2	VD	WLAN&BT	VoLTE	No
	Band 4				No
	Band 5				No
	Band 12				No
	Band 13				No
	Band 25	No			
WIFI	2450	DT	CDMA,LTE	N/A	No
BT	2450	DT	CDMA,LTE	N/A	No

**Where:**

VO=Voice Only

DT=Digital Transport only

VD=CMRS and IP Voice Service over Digital Transport

BT=Bluetooth

\* Ref Lev in accordance with 7.4.2.1 of ANSI C63.19-2011 and the July 2012 VoLTE interpretation

\*\* Ref Lev -20 dBm0

\*\*\* Ref Lev XYNet established by KDB Inquiry NNNNNN @ -16 dBm0

**Note:**

- 1) Air Interface/Band MHz: List of all air interfaces and bands supported by the handset.
- 2) Type: For each air interface, indicate the type of voice transport mode:
  - i. VO = legacy Cellular Voice Service, from Table 7.1 in 7.4.2.1 of ANSI C63.19-2011;
  - ii. DT = Digital Transport only (no voice); and
  - iii. VD = IP Voice Service over Digital Transport.
- 3) Simultaneous Transmitter: Indicate any air interface/bands that operate in simultaneous or concurrent service transmission mode.
- 4) Name of Voice Service: See Q4 in 285076 D03 HAC FAQ for further clarification.
  - a) Ref Lev in accordance with 7.4.2.1 of ANSI C63.19-2011 and the July 2012 VoLTE interpretation
  - b) \*\* Ref Lev -20 dBm0
  - c) \*\*\* Ref Lev XYNet established by KDB Inquiry NNNNNN @ -16 dBm0
- 5) Power Reduction: If the 1900 MHz band GSM air interface was tested using the option to reduce the power, state in the test report the maximum power in the 1900 MHz band, and the

reduced power used for testing compliance to demonstrate compliance to the requirement that power be reduced by no more than 2.5 dB.

## 5. HAC (RF) Measurement System

### 5.1. RF Measurement Setup

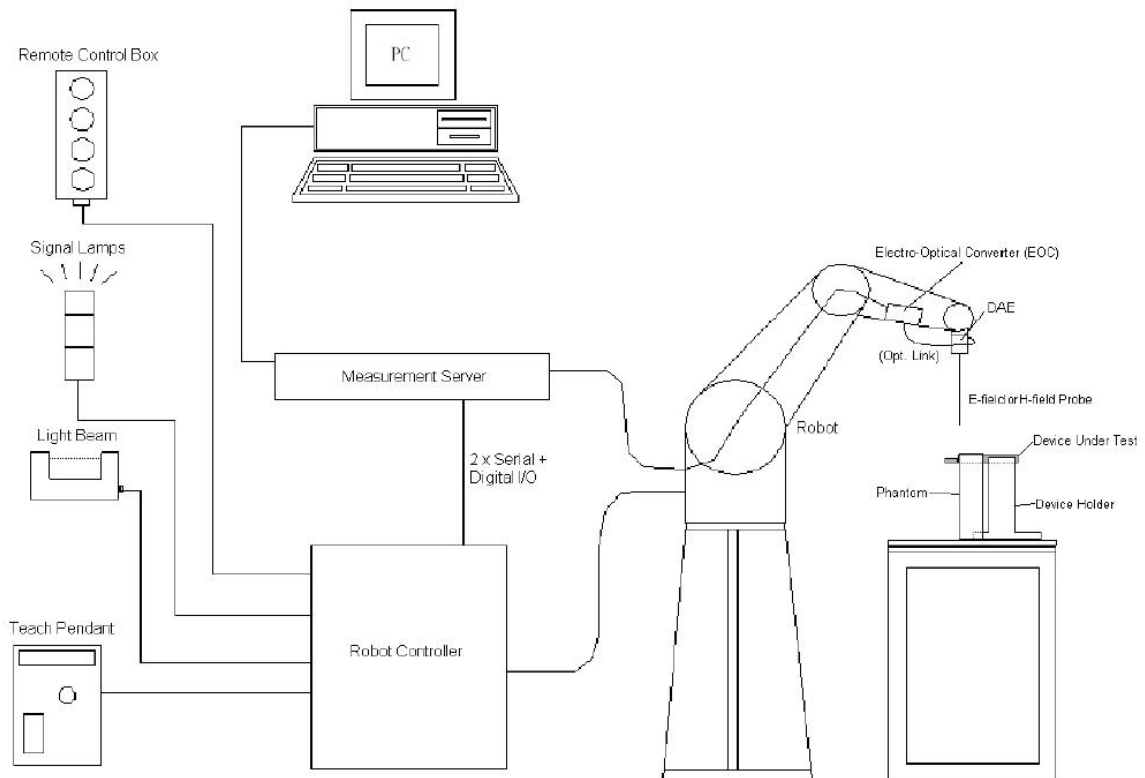


Fig 5.1 SPEAG RF System Configurations

## 5.2. E-Field Probe

The RF measurement is conducted with the dosimetric probe (manufactured by SPEAG). The probe is specially designed and calibrated for use with high permittivity. The dosimetric probe has special calibration at different frequency. This probe has a built in optical surface detection system to prevent from collision with phantom.

### E-Field Probe Specification

#### <ER3DV6>


Construction	One dipole parallel, two dipoles normal to probe axis Built-in shielding against static charges	
Calibration	In air from 100 MHz to 3.0 GHz (Absolute accuracy $\pm 6.0\%$ , $k=2$ )	
Frequency	10 MHz to 6 GHz; Linearity: $\pm 0.2$ dB	
Directivity	$\pm 0.2$ dB in HSL (rotation around probe axis) $\pm 0.4$ dB in HSL (rotation normal to probe axis)	
Dynamic Range	2 V/m to 1000 V/m (M3 or better device readings fall well below diode compression point)	
Linearity	$\pm 0.2$ dB	
Dimensions	Overall length: 330 mm (Tip: 16 mm) Tip diameter: 8 mm (Body: 12 mm) Distance from probe tip to dipole centers: 2.5 mm	

Fig 5.2 Photo of ER3DV6

#### Probe Tip Description:

HAC field measurements take place in the close near field with high gradients. Increasing the measuring distance from the source will generally decrease the measured field values (in case of the validation dipole approx. 10% per mm).

### 5.3. Data Acquisition Electronics (DAE)

The data acquisition electronics(DAE) consists of a highly sensitive electrometer-grade preamplifier with auto-zeroing, a channel and gain-switching multiplexer, a fast 16 bit AD-converter and a command decoder and control logic unit. Transmission to the measurement server is accomplished through an optical downlink for data and status information as well as an optical uplink for commands and the clock. The input impedance of the DAE is 200 MOhm; the inputs are symmetrical and floating. Common mode rejection is above 80 dB.



Fig 5.3 Photo of DAE

## 6. RF Measurement Procedure

### 6.1. General Guidance

Referenced from ANSI C63.19 -2011 section 5.5.1:

1. Confirm the proper operation of the field probe, probe measurement system, and other instrumentation and the positioning system.
2. Position the WD in its intended test position.
3. Set the WD to transmit a fixed and repeatable combination of signal power and modulation characteristic that is representative of the worst case (highest interference potential) encountered in normal use. Transiently occurring start-up, changeover, or termination conditions, or other operations likely to occur less than 1% of the time during normal operation, may be excluded from consideration. Transiently occurring start-up, changeover, or termination conditions, or other operations likely to occur less than 1% of the time during normal operation, may be excluded from consideration.
4. The center sub-grid shall be centered on the T-Coil mode perpendicular measurement point or the acoustic output, as appropriate. Locate the field probe at the initial test position in the 50 mm by 50 mm grid, which is contained in the measurement plane, refer to illustrated in Figure 8.2. If the field alignment method is used, align the probe for maximum field reception.
5. Record the reading at the output of the measurement system.
6. Scan the entire 50 mm by 50 mm region in equality spaced increments and record the reading at each measurement point, The distance between measurement points shall be sufficient to assure the identification of the maximum reading.
7. Identify the five contiguous sub-grids around the center sub-grid whose maximum reading is the lowest of all available choices. This eliminates the three sub-grids with the maximum readings. Thus, the six areas to be used to determine the WD's highest emissions are identified.
8. Identify the maximum reading within the non-excluded sub-grids identified in step 7).
9. Convert the maximum reading identified in step 8) to RF audio interference level, in, V/m, by taking the square root of the reading and then dividing it by the measurement system transfer function, established in ANSI C63.19 -2011 section 5.5.1.1. Convert the result to dB(V/m) by taking the base-10 logarithm and multiplying it by 20. Expressed as a formula:

$$\text{RF audio interference level in dB(V/m)} = 20 \times \log(R_{\max}^{1/2}/TF),$$

where  $R_{\max}$  is the maximum reading.

10. The RF audio interference level in dB (V/m) is obtained by adding the MIF (in dB) to the maximum steady-state rms field-strength reading, in dB (V/m)
11. Compare this RF audio interference level with the categories in ANSI C63.19-2011 clause 8 and record the resulting WD category rating.

## 6.2. RF Test Instructions

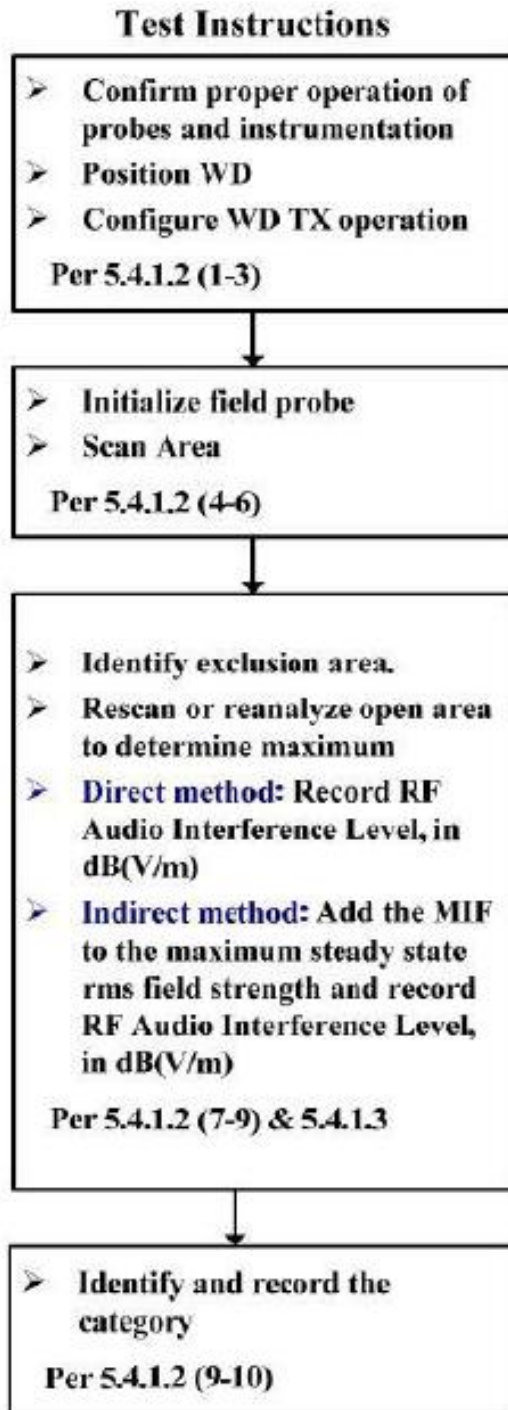
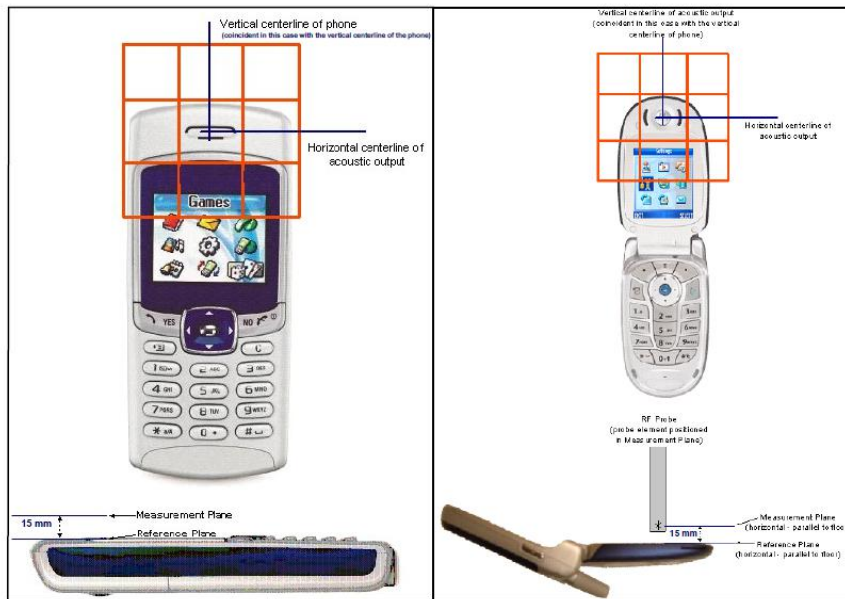
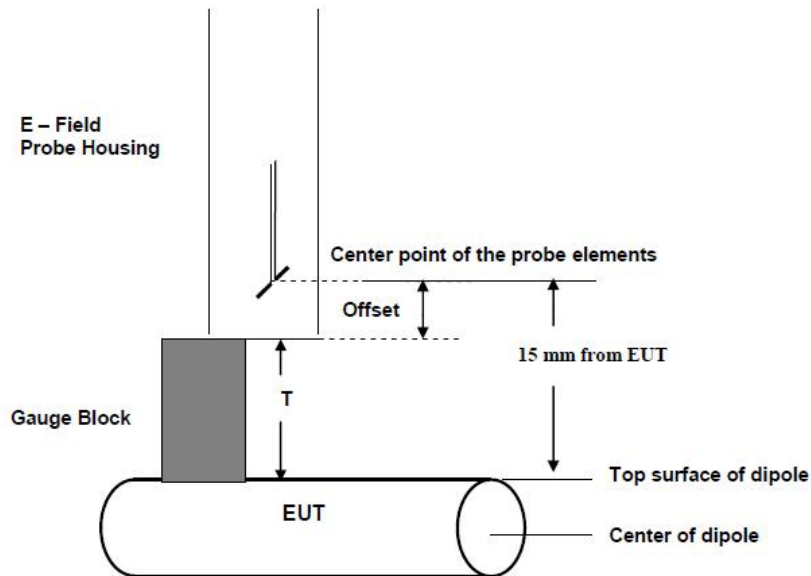


Fig 6.1 WD near-field emission scan flowchart



**Fig 6.2 WD reference and plane for RF emission measurements**



**Fig 6.3 Gauge block with E-field probe**



## 7. Test Equipment List

Manufacturer	Name of Equipment	Type/Model	Serial Number	Calibration	
				Last Cal.	Due Date
SPEAG	Isotropic E-Field Probe	ER3DV6	2434	2018.10.18	2019.10.17
SPEAG	Audio Holder	N/A	1094	NCR	NCR
SPEAG	835MHz Calibration Dipole	CD835V3	1113	2018.10.23	2019.10.22
SPEAG	1880MHz Calibration Dipole	CD1880V3	1111	2018.10.23	2019.10.22
SPEAG	Data Acquisition Electronics	DAE4	480	2018.10.29	2019.10.28
R&S	Network Emulator	CMU200	107082	2018.11.16	2019.11.15
Agilent	Power Meter	E4416A	MY45102093	2018-11-23	2019-11-22
Agilent	Power Sensor	N8482A	MY41090849	2018.11.23	2019.11.22
Agilent	Signal Generator	N5182B	MY53050509	2019-04-17	2020-04-16
mini-circuits	Amplifier	ZHL-42W+	608501717	NCR	NCR
THERMOMETER	Thermo meter	DC-803	N/A	2018.11.22	2019.11.21



## 8. System Validation

According to ANSI C63.19, before hearing aid testing commences, the experimental setup shall be validated. Subclauses 6.3.1 through 6.3.5 include a set of pretest procedures designed to validate the experimental setup to ensure the accuracy of the results. To verify that the hearing aid performs per the manufacturer's specifications, 6.3.5 advises that the hearing aid be pretested per ANSI S3.22.

### 8.1. Test setup

1. In the simplified setup for system evaluation, the EUT is replaced by a calibrated dipole and the power source is replaced by a continuous wave which comes from a signal generator.
2. Position the E-field probe at a 15 mm distance from the top surface of the dipole, which is also fixed in an appropriate fixture.
3. Make sure that the desired measuring channel of the probe is aligned for maximum reception of the E-field generated by the dipole. This may be accomplished by rotating the probe until the maximum value is located. The E-field probe shall have been calibrated over the frequency range to be measured using standard calibration techniques.
4. Adjust the power level (20dBm  $\rightarrow$  100mW) of the signal generator at the initial starting frequency such that the desired E-field strength at the 15 mm distance from the tip of the dipole is achieved. Setting the field strength to be in the range of category M2 is advised.
5. Step the frequency in increments of  $\leq 1\%$ , adjusting the power fed into the dipole such that the desired E-field strength is maintained.

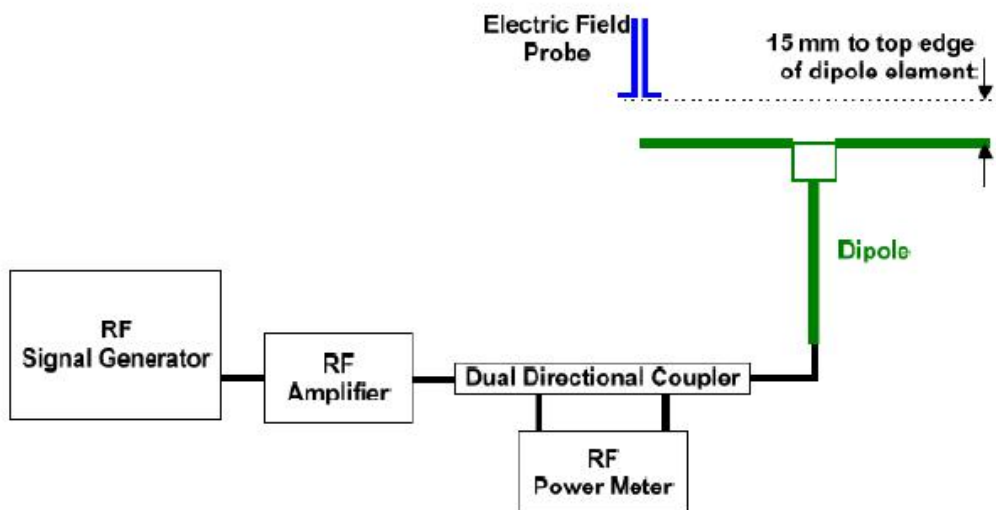


Fig 8.1 WD dipole calibration procedure



## 8.2. Validation Result

After testing, record the frequency and signal generator setting at each frequency for use during the actual immunity test. Comparing to the original E-field value provided by SPEAG, the verification data should be within its specification of 25 %. Table 6.1 shows the target value and measured value. The table below indicates the system performance check can meet the variation criterion and the plots can be referred to appendix A of this report. Deviation = ((Average E-field Value) - (Target value)) / (Target value) \* 100%

Frequency (MHz)	Input Power (mW)	Target Value (V/m)	E-Field above high end (V/m)	E-Field above low end (V/m)	Average Value (V/m)	Deviation (%)	Limit (%)	Date
835	100	110.80	122.18	121.90	122.04	9.21	±12.8	2019.05.29
1880	100	89.50	97.61	95.83	96.72	7.47	±12.8	2019.05.29

## 9. Modulation Interference Factor

The HAC Standard ANSI C63.19-2011 defines a new scaling using the Modulation Interference Factor (MIF). For any specific fixed and repeatable modulated signal, a modulation interference factor (MIF, expressed in dB) may be developed that relates its interference potential to its steady-state rms signal level or average power level.

This factor is a function only of the audio-frequency amplitude modulation characteristics of the signal and is the same for field-strength and conducted power measurements. It is important to emphasize that the MIF is valid only for a specific repeatable audio-frequency amplitude modulation characteristic. Any change in modulation characteristic requires determination and application of a new MIF.

The Modulation Interference factor (MIF, in dB) is added to the measured average E-field (in dBV/m) and converts it to the RF Audio Interference level (in dBV/m). This level considers the audible amplitude modulation components in the RF E-field. CW fields without amplitude modulation are assumed to not interfere with the hearing aid electronics. Modulations without time slots and low fluctuations at low frequencies have low MIF values, TDMA modulations with narrow transmission and repetition rates of few 100 Hz have high MIF values and give similar classifications as ANSI C63.19-2011. ER3D, EF3D and EU2D E-field probes have a bandwidth <10 kHz and can therefore not evaluate the RF envelope in the full audio band. DASY52 is therefore using the indirect measurement method according to ANSI C63.19-2011 which is the primary method. These near field probes read the averaged E-field measurement. Especially for the new high peak-to-average (PAR) signal types, the probes shall be linearized by PMR calibration in order to not overestimate the field reading. Probe Modulation Response (PMR) calibration linearizes the probe response over its dynamic range for specific modulations which are characterized by their UID and result in an uncertainty specified in the probe calibration certificate. The MIF is characteristic for a given waveform envelope and can be used as a constant conversion factor if the probe has been PMR calibrated. The evaluation method for the MIF is defined in ANSI C63.19-2011 section D.7. An RMS demodulated RF signal is fed to a spectral filter (similar to an A weighting filter) and forwarded to a temporal filter acting as a quasi-peak detector. The averaged output of these filtering is scaled to a 1 kHz 80% AM signal as reference. MIF measurement requires additional instrumentation and is not well suited for evaluation by the end user with reasonable uncertainty. It may alternatively be determined through analysis and simulation, because it is constant and characteristic for a communication signal. DASY52 uses well-defined signals for PMR calibration. The MIF of these signals has been determined by simulation and it is automatically applied. The MIF measurement uncertainty is estimated as follows, declared by HAC equipment provider SPEAG, for modulation frequencies from slotted waveforms with fundamental frequency and at least 2 harmonics within 10 kHz:



0.2 dB for MIF	0.5 dB for MIF	1 dB for MIF
-7dB to +5 dB	-13dB to +11 dB	> -20 dB

MIF values applied in this test report were provided by the HAC equipment provider of SPEAG, and the worst values for all air interface are listed below to be determine the Low-power Exemption.

UID	Communication System Name	MIF(dB)
10021	GSM-FDD(TDMA,GMSK)	3.63
10023	GPRS-FDD(TDMA,GMSK)	3.77
10025	EDGE-FDD (TDMA, 8PSK, TN 0)	3.75
10011	UMTS-FDD(WCDMA, AMR)	-25.43
10225	UMTS-FDD (HSPA+)	-20.39
10081	CDMA2000 (1xRTT, RC3)	-19.71
10295	CDMA2000 (1xRTT, RC1 SO3, 1/8th Rate 25 fr.)	3.26
10403	CDMA2000 (1xEV-DO, Rev. 0)	-17.67
10169	LTE-FDD(SC-FDMA,1RB,20MHz,QPSK)	-15.63
10170	LTE-FDD(SC-FDMA,1RB,20MHz,16-QAM)	-9.76
10173	LTE-TDD (SC-FDMA, 1 RB, 20 MHz, 16-QAM)	-1.44



# 10. Conducted Power

## <CDMA2000>

BC0	Burst Average Power (dBm)			Tune-up Limit (dBm)
TX Channel	1013	384	777	
Frequency (MHz)	824.7	836.52	848.31	
1xRTT RC1 SO3,1/8th Rate	22.92	22.90	22.97	23.50

BC1	Burst Average Power (dBm)			Tune-up Limit (dBm)
TX Channel	25	600	1175	
Frequency (MHz)	1851.25	1880.0	1908.75	
1xRTT RC1 SO3,1/8th Rate	22.83	22.79	22.95	23.50



## 11. Low-power Exemption

Air Interface	Max Tune-up Limit (dBm)	Worst Case MIF (dB)	Power + MIF(dB)	C63.19 test required
CDMA BC0 1/8th Frame Rate	23.50	3.26	26.76	Yes
CDMA BC1 1/8th Frame Rate	23.50	3.26	26.76	Yes
LTE Band 2	25.00	-15.63	9.37	No
LTE Band 4	25.00	-15.63	9.37	No
LTE Band 5	25.00	-15.63	9.37	No
LTE Band 12	25.00	-15.63	9.37	No
LTE Band 13	25.00	-15.63	9.37	No
LTE Band 25	25.00	-15.63	9.37	No

**Note:**

1. According to ANSI C63.19 2011-version, for the air interface technology of a device is exempt from testing when its average antenna input power plus its MIF is  $\leq 17$  dBm for any of its operating modes.
2. For all of bands, the worst case of max tune-up limit will be test RF, therefore LTE modes is not necessary for testing.
3. HAC RF rating is M4 for the air interface which meets the low power exemption.



## 12. Summary Test Results

&lt;CDMA2000&gt;

Plot No.	Air Interface	Mode	Channel	MIF	Average Antenna Input Power (dBm)	E-Field (dBV/m)	Margin to FCC M3 limit (dB)	E-Field M Rating
1	BC0	1xRTT, RC1 SO3, 1/8th Rate	1013	3.26	22.92	22.06	22.94	M4
2	BC0	1xRTT, RC1 SO3, 1/8th Rate	384	3.26	22.90	22.36	22.64	M4
3	BC0	1xRTT, RC1 SO3, 1/8th Rate	777	3.26	22.97	22.37	22.63	M4
4	BC1	1xRTT, RC1 SO3, 1/8th Rate	25	3.26	22.83	27.84	7.16	M4
5	BC1	1xRTT, RC1 SO3, 1/8th Rate	600	3.26	22.79	26.55	8.45	M4
6	BC1	1xRTT, RC1 SO3, 1/8th Rate	1175	3.26	22.95	24.44	10.56	M4

## 13. Uncertainty Assessment

The component of uncertainty may generally be categorized according to the methods used to evaluate them. The evaluation of uncertainty by the statistical analysis of a series of observations is termed a Type A evaluation of uncertainty. The evaluation of uncertainty by means other than the statistical analysis of a series of observation is termed a Type B evaluation of uncertainty. Each component of uncertainty, however evaluated, is represented by an estimated standard deviation, termed standard uncertainty, which is determined by the positive square root of the estimated variance.

The combined standard uncertainty of the measurement result represents the estimated standard deviation of the result. It is obtained by combining the individual standard uncertainties of both Type A and Type B evaluation using the usual “root-sum-squares” (RSS) methods of combining standard deviations by taking the positive square root of the estimated variances.

Expanded uncertainty is a measure of uncertainty that defines an interval about the measurement result within which the measured value is confidently believed to lie. It is obtained by multiplying the combined standard uncertainty by a coverage factor. Typically, the coverage factor ranges from 2 to 3. Using a coverage factor allows the true value of a measured quantity to be specified with a defined probability within the specified uncertainty range. For purpose of this document, a coverage factor two is used, which corresponds to confidence interval of about 95 %. The DASY uncertainty Budget is shown in the following tables.

a	b	c	d	e= f(d,k)	f	g	h= c*f/e	i= c*g/e	k
Uncertainty Component	Sec.	Tol (+-% )	Prob . Dist.	Div.	Ci (1g )	Ci (10g)	1g Ui (+-%)	10g Ui (+-%)	Vi
<b>Measurement System</b>									
Probe calibration	E.2.1	5.83	N	1	1	1	5.83	5.83	∞
Axial Isotropy	E.2.2	3.5	R	$\sqrt{3}$	1	1	2.02	2.02	∞
Hemispherical Isotropy	E.2.2	5.9	R	$\sqrt{3}$	1	1	3.41	3.41	∞
Boundary effect	E.2.3	1.0	R	$\sqrt{3}$	1	1	0.58	0.58	∞
Linearity	E.2.4	4.7	R	$\sqrt{3}$	1	1	2.71	2.71	∞
System detection limits	E.2.5	1.0	R	$\sqrt{3}$	1	1	0.58	0.58	∞
Readout Electronics	E.2.6	0.5	N	1	1	1	0.5	0.5	∞
Reponse Time	E.2.7	3.0	R	$\sqrt{3}$	1	1	3.0	3.0	∞
Integration Time	E.2.8	1.4	R	$\sqrt{3}$	1	1	0.81	0.81	∞





RF ambient Conditions	E.6.1	3.0	R	$\sqrt{3}$	1	1	1.73	1.73	$\infty$
Probe positioner Mechanical Tolerance	E.6.2	1.4	R	$\sqrt{3}$	1	1	0.81	0.81	$\infty$
Probe positioning with respect to Phantom Shell	E.6.3	1.4	R	$\sqrt{3}$	1	1	0.81	0.81	$\infty$
Test sample Related									
Test sample positioning	E.4.2. 1	2.6	N	1	1	1	2.6	2.6	N-1
Device Holder Uncertainty	E.4.1. 1	3.0	N	1	1	1	5.11	5.11	$\infty$