

5.1 CH MULTIMEDIA SPEAKER SYSTEM AA5240

User Manual

Operation explanation:

SPECIFICATIONS

Power Audio: RMS 85W(25W+12Wx5)

Drive Units: 3"x 5 + 5.25" subwoofer

Frequency Response: Satellites: 120Hz-20KHz

Subwoofer:20Hz-170Hz

Separation: ≥ 40 dB

S/N: ≥ 70 dB

Distortion: $\leq 0.5\%$ (1K, 1W)

Power Supply: $\sim 120V$ 60Hz

Dimensions: Subwoofer: W186xH312xD331(mm)

Satellite: W105xH170xD104(mm)

Features:

- Quality 5.1 speaker system with built-in amplifier
- Full audio spectrum performances, ideal for your favourite entertainment from Mp3, Mp4, CD/DVD movies and digital playbacks
- Specially designed woofer cabinet for bass and resolution
- Comes with remote control and 3.5 stereo connection

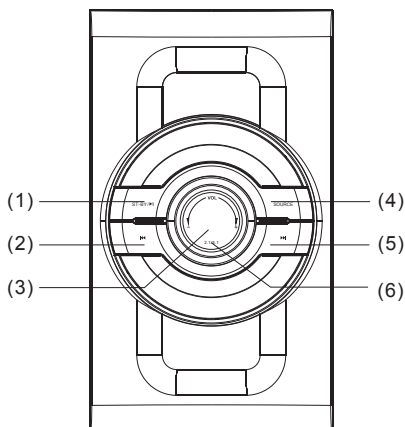
Package contents:

subwoofer cabinet	1 pc
satellite speakers	5 pcs
remote control	1 pc
User manual	1 pc
Audio input cord	1 pc

NO.1

Front panel

1. ST-BY/▶||
2. ◀◀
3. ▶▶
4. SOURCE
5. -VOL+
6. 2.1/5.1



ST-BY/PLAY/PAUSE-----Press to turn on speaker, long press into stand-by.
PLAY/PAUSE on the USB/SD/BT mode.

SOURCE-----Change the input mode.

VOLUME-/+ -----Volume down/up.

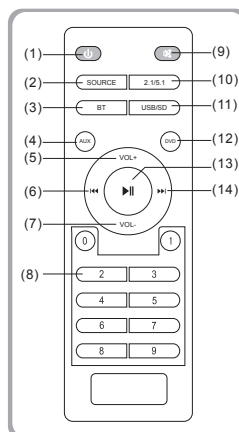
2.1/5.1-----Enable or disable the function of the 2.1/5.1.

NEXT -----In USB/SD/BT mode, press "NEXT" play next song.

PREVIOUS -----In USB/SD/BT mode, press "PREVIOUS" play previous song.

NO.2

How to use the remote control



1. ST-BY
2. SOURCE
3. BT
4. AUX
5. VOL+
6. PREVIOUS
7. VOL-
8. 0~9
9. MUTE
10. 2.1/5.1
11. USB/SD
12. DVD
13. PLAY/PAUSE
14. NEXT

1. ST-BY: Turn on/Stand-by the speaker.

2. SOURCE: Select the source- AUX/DVD/USB/SD/FM/BT.

3. BT: Bluetooth reader mode selection. When you enter Bluetooth input mode, LED display right bottom start to flashing (2 seconds) to search the Bluetooth device. Turn on your mobile Bluetooth device and search the device name "BT SPEAKER", paired them well. When you have successfully paired your mobile to the speaker system, the LED right bottom stop flashing. When start to play your mobile music, the LED flashed every one second. The functions as "PREVIOUS/NEXT", "PLAY/PAUSE", can operate via the front panel. On BT mode, when connecting with mobile, press "▶" for 3 seconds, bluetooth function can be force-disconnected .

4. AUX: AUX input mode selection.

5. VOL+: Volume up.

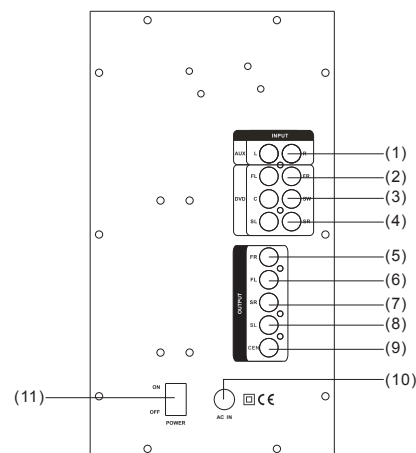
6. PREVIOUS: Play the previous song by pressing "◀◀" at USB/SD/BT input mode.

NO.3

7. VOL-: Volume down.
8. 0~9: Numeric keys, with the help of these keys you select song or track in USB, and in FM, you can key in station frequency, i.e. for 92.7 key in 92.7.
9. MUTE: Press "MUTE" to activate or deactivate mute.
10. 2.1/5.1: Enable or disable the function of the 2.1/5.1.
11. USB/SD: USB/SD reader mode selection.
12. DVD: To reset the system. All settings changes to default levels after reast.
13. PLAY/PAUSE: Plays/pauses songs alternately. In BT mode, press "▶||" for 3 seconds to force disconnect the BT.
14. NEXT: Play the next song by pressing "▶||" at USB/SD/BT input mode.

NO.4

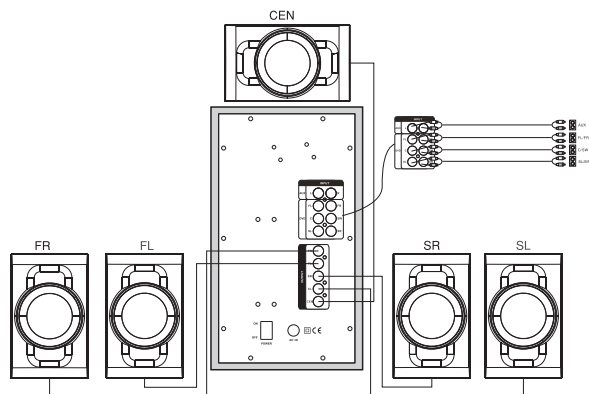
Rear panel



- | | |
|----------------|--------------------------|
| 1. AUX input | 10. AC power supply cord |
| 2. FL/FR input | 11. Power ON-OFF |
| 3. C/SW input | |
| 4. SL/SR input | |
| 5. FR output | |
| 6. FL output | |
| 7. SR output | |
| 8. SL output | |
| 9. C output | |

NO.5

System connection diagram



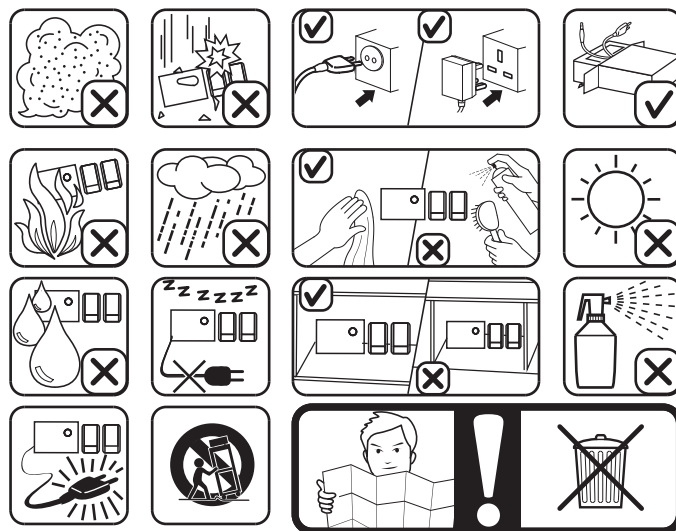
1. Insert all satellite speaker cables respectively (FL FR SL SR CEN) into right sockets located at the rear side of subwoofer (FL: left front speaker; FR: right front speaker, SL: surround left speaker, SR: surround right speaker; CEN; center speaker.)
2. For a 5.1 channel sound source connected, to link output signal of (DVD Ac3 sound card etc) with the FL, FR, SL, SR, CEN. signal input port respectively.
3. For the tridimensional information, please insert audio line into AUX input jack.
4. After a correct connection, to insert the power plug into the wall outlet of ~120V 60Hz
Notic: If you need to connect MP3、PC、CD, Please purchase the conversion signal cord.

NOTE

* Do not leave objects generating magnetism near the speakers.

NO.6

In use please pay attention to the following items:



*if the remote control cannot function, it is because the battery of remote control has been used up. thank you.



NO.7

This device complies with part 15 of the FCC Rules. Operation is subject to the following two conditions: (1) This device may not cause harmful interference, and (2) this device must accept any interference received, including interference that may cause undesired operation.

Note: The Grantee is not responsible for any changes or modifications not expressly approved by the party responsible for compliance. Such modifications could void the user's authority to operate the equipment.

Note: This equipment has been tested and found to comply with the limits for a Class B digital device, pursuant to part 15 of the FCC Rules. These limits are designed to provide reasonable protection against harmful interference in a residential installation. This equipment generates, uses and can radiate radio frequency energy and, if not installed and used in accordance with the instructions, may cause harmful interference to radio communications. However, there is no guarantee that interference will not occur in a particular installation. If this equipment does cause harmful interference to radio or television reception, which can be determined by turning the equipment off and on, the user is encouraged to try to correct the interference by one or more of the following measures:

- Reorient or relocate the receiving antenna.
- Increase the separation between the equipment and receiver.
- Connect the equipment into an outlet on a circuit different from that to which the receiver is connected.
- Consult the dealer or an experienced radio/TV technician for help.

The device has been evaluated to meet general RF exposure requirement. To maintain compliance with FCC's RF exposure guidelines, this equipment should be installed and operated with a minimum distance of 20cm between the radiator and your body.