



5.1 MULTIMEDIA SPEAKER SYSTEM

Thank you for buying this Acoustic Audio System. Prior to first use, please read the manual carefully. If you ever have questions on your system, please contact your authorized dealer and their highly experienced staff will be more than willing to help.

PLEASE NOTE: THIS UNIT IS SET ON 2.1 MODE UPON STARTUP, PLEASE PRESS THE VOLUME DIAL ONCE FOR 5.1 SURROUND SOUND. TO PROPERLY CONNECT MP3, PC, YOU MUST USE THE ENCLOSED 3.5MM TO RCA CABLE.

Package Contents:

- (1) Sub-woofer Cabinet
- (5) Satellite Speakers
- (1) Remote Control
- (1) User Manual
- (1) RCA Cable
- (1) 3.5mm RCA Cable
- (1) FM Antenna

Specifications:

- Power Audio : 700 Watts Total System Power
- Drive Units: 3" x 5 full range magnetically shielded satellite speakers and powered sub-woofer
- Frequency Response: 20 - 20,000 Hz
- Power Supply: 120V
- Dimensions (W x H x D):
 - Sub-woofer - 6.7in x 12.3in x 13.1in
 - Satellites - 4.1in x 6.8in x 4.0in

Features:

- 5.1 channel multimedia speaker for computer or home system
- Full audio spectrum performances, ideal for your favorite entertainment such as MP3, MP4, CD/DVD movies and digital playbacks
- Specially designed woofer cabinet for bass and resolution
- Comes with remote control and RCA stereo connection cable

Front Panel

1. ST-BY/ ▶ ||
2. SOURCE
3. TUNING+ / ▶▶
4. TUNING- / ◀◀
5. - VOL +



1. The system is on Stand By (ST-BY) mode when you switch on the power supply. The LED display will read "----". Press "ST-BY/PLAY/PAUSE" button once and it will default to DVD input mode and the LED display will read "DU18"; "DU" being DVD input mode and "18" being the default volume at 18dB. Change back to "ST-BY" in any mode by pressing and holding the "ST-BY/ PLAY/ PAUSE" button. In USB/SD mode, press the "ST-BY/ PLAY/ PAUSE" button once to play or pause the music.

2. The SOURCE button allows you to switch between 4 different modes. Press once in DVD mode to get to USB/SD mode, twice to get to FM mode and 3 times to get to Aux mode. The LED display will read "dU18" in DVD mode, "Ud18" in USB/SD mode, "89.1" (or current radio station) in FM mode and "AU18" in AUX mode. If using the USB function the LED display will read "usb18" and if using the SD function it will read "sd18".

3. Press "TUNING+/NEXT" quickly to search ascending channel by channel (0.1mHz per click) in FM mode. Hold down "TUNING+/NEXT" to scan through ascending channels, playing automatically once detected. Press "TUNING+/NEXT" once in USB/SD mode to play the next song.

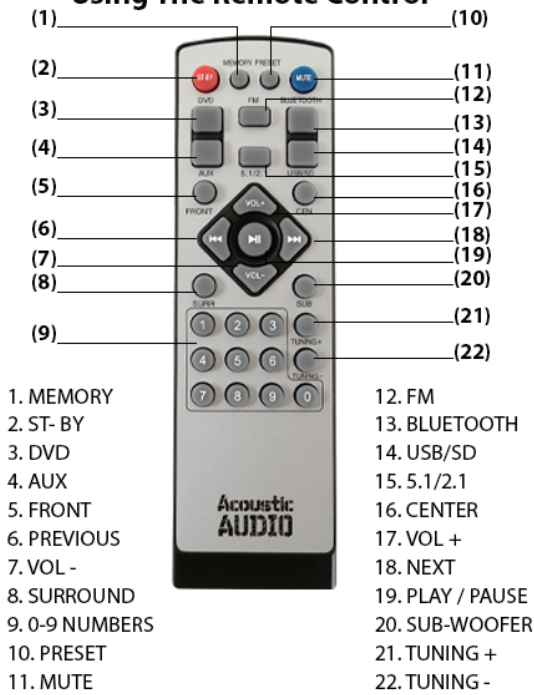
4. Press "TUNING-/PREV" quickly to search descending channel by channel (0.1mHz per click) in FM mode. Hold down "TUNING-/PREV" to scan through descending channels, playing automatically once detected. Press "TUNING-/PREV" once in USB/SD mode to play the previous song.

5. Press the volume dial to change from 2.1 mode to 5.1 surround mode. The LED display will read "PL ON" in 5.1 mode and "PL OF" in 2.1 mode. In 2.1 mode the system will utilize the sub-woofer and 2 front satellite speakers only, and in 5.1 mode it will utilize the sub-woofer and all 5 satellite speakers. Turn the dial to the right to decrease the volume (0dB minimum) and turn the dial to the left to increase the volume (30dB maximum).

Using The Remote Control

PAGE 4

PAGE 5



1. **MEMORY:** In FM mode, using the "TUNING +/-" buttons choose a preferred station, press "MEMORY" once, choose the channel to coincide with this station (1-9) and press "MEMORY" again to program that station to that channel. Repeat this process with up to 9 different stations. To remove a channel, press "MEMORY" once, then use the "PREVIOUS" or "NEXT" button to find the channel you'd like to remove and press the "PLAY/ PAUSE" button to remove it. Press and hold th "MEMORY" button to scan and save stations automatically.
2. **ST-BY:** Use the "ST-BY" button to start the system.

3. **DVD:** Press "DVD" once to use DVD input mode.
4. **AUX:** Press "AUX" once to use AUX input mode.
5. **FRONT:** Press "FRONT" to select the front speakers. The output level can be adjusted using the "VOL +/-" buttons.
6. **PREVIOUS:** In USB/SD mode, press "⏮" to play the previous song. In FM mode, press "⏮" to go to the previous radio station channel.
7. **VOLUME -:** Press "VOL -" to decrease the volume.
8. **SURROUND:** Press "SURR" to select the rear speakers. The output level can be adjusted using the "VOL +/-" buttons.
9. **0-9 NUMBER BUTTONS:** In USB/SD mode, use the number buttons to select the desired track. In FM mode, use the number buttons to select the desired radio station.
10. **PRESET:** Press "PRESET" to go through previously saved radio station channels.
11. **MUTE:** Press "MUTE" to suspend and activate all sound. LED Display will blink in mute mode.
12. **FM:** Press "FM" once to use FM input mode.
13. **BLUE-TOOTH:** Press "BLUETOOTH" to use blue-tooth input mode. The LED Display will blink while searching for blue-tooth device. On your mobile device, pair with "BT SPEAKER" in your mobile device blue-tooth menu. Once you have successfully paired your mobile device to the system the LED Display will stop blinking. You can use your device for PREV/NEXT/PLAY/PAUSE/VOL+/- functions. Use the remote for MUTE/VOL+/- functions. Press and hold "▶ ||" for 3 seconds to force disconnect from blue-tooth.
14. **USB/SD:** Press "USB/SD" once to use USB/SD input mode.
15. **5.1/2.1:** Press "5.1/2.1" to change from 2.1 to 5.1 surround sound
16. **CENTER:** Press "CEN" to select the center speaker. The output level can be adjusted using the "VOL +/-" buttons.
17. **VOLUME +:** Press "VOL +" to increase the volume.
18. **NEXT:** In USB/SD mode, press "⏭" to play the next song. In FM mode, press "⏭" to go to the next radio station channel.
19. **PLAY/PAUSE:** Press "▶ ||" to play or pause the music.
20. **SUB-WOOFER:** Press "SUB" to select the sub speakers. The output level can be adjusted using the "VOL +/-" buttons.
21. **TUNING +:** press once to ascend FM channels, press and hold to scan FM channels ascending
22. **TUNING -:** press once to descend FM channels, press and hold to scan FM channels descending

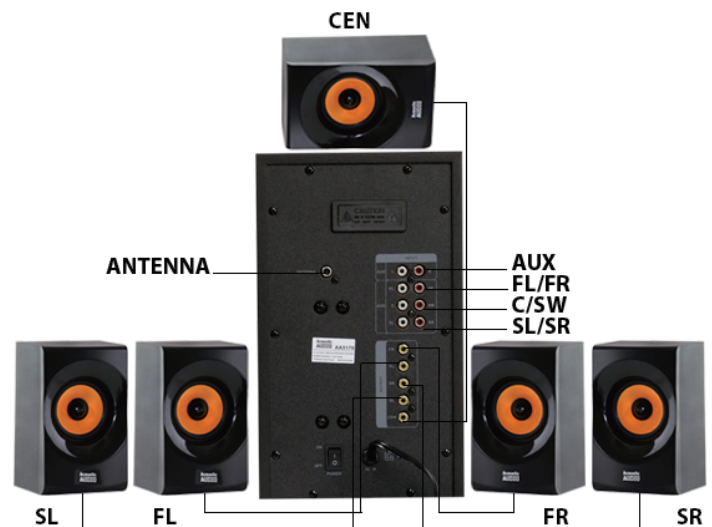
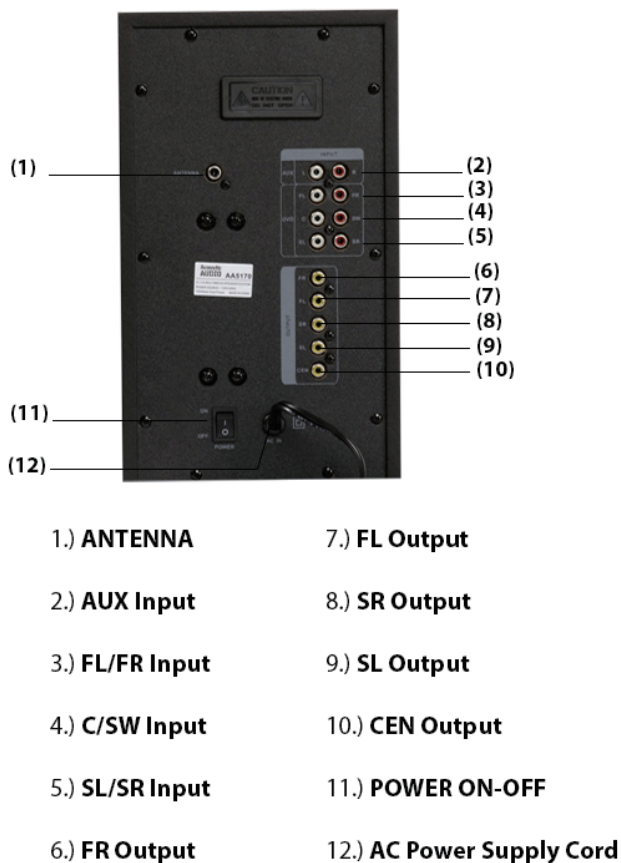
Note: if remote loses function, please replace the 2 AA batteries.

Rear Panel

PAGE 6

System Connections

PAGE 7



1. Insert all satellite speaker cables into their respective output sockets located at the rear of the sub-woofer. (FL : Front Left Speaker, FR : Front Right Speaker, SL : Surround Left Speaker, SR : Surround Right Speaker, CEN : Center Speaker)
 2. For 5.1 surround sound, insert audio cables from your device into the respective DVD speaker sockets located at the rear of the sub-woofer above the satellite speaker sockets.
 3. For dimensional sound, insert audio cable into respective AUX socket.
 4. For clearer, stronger FM signal, insert antenna cord into Antenna socket.
 5. Once you've connected the system in your preferred method, insert the power plug into ~120V wall outlet and switch power to ON.
- Note: Please avoid leaving magnetic objects near the system**

FCC NOTE:

This device complies with Part 15 of the FCC Rules.

Operation is subject to the following two conditions: (1) this device may not cause harmful interference, and (2) this device must accept any interference received, including interference that may cause undesired operation.

THE MANUFACTURER IS NOT RESPONSIBLE FOR ANY RADIO OR TV INTERFERENCE CAUSED BY UNAUTHORIZED MODIFICATIONS OR CHANGE TO THIS EQUIPMENT. SUCH MODIFICATIONS OR CHANGE COULD VOID THE USER'S AUTHORITY TO OPERATE THE EQUIPMENT.

This equipment has been tested and found to comply with the limits for a Class B digital device, pursuant to part 15 of the FCC Rules. These limits are designed to provide reasonable protection against harmful interference in a residential installation. This equipment generates, uses and can radiate radio frequency energy and, if not installed and used in accordance with the instructions, may cause harmful interference to radio communications. However, there is no guarantee that interference will not occur in a particular installation. If this equipment does cause harmful interference to radio or television reception, which can be determined by turning the equipment off and on, the user is encouraged to try to correct the interference by one or more of the following measures:

- Reorient or relocate the receiving antenna.
- Increase the separation between the equipment and receiver.
- Connect the equipment into an outlet on a circuit different from that to which the receiver is connected.
- Consult the dealer or an experienced radio/TV technician for help.

To maintain compliance with FCC's RF exposure guidelines, this equipment should be installed and operated with a minimum distance of 20cm between the radiator and your body.