

Acoustic AUDIO

by Goldwood™

AA2171



2.1 CH MULTIMEDIA SPEAKER SYSTEM

Thank you for buying this Acoustic Audio System. Prior to first use, please read the manual carefully. If you ever have questions on your system, please contact your authorized dealer and their highly experienced staff will be more than willing to help.

PLEASE NOTE: TO PROPERLY CONNECT MP3, PC ,GAME CONSOLE ETC, YOU MUST USE THE ENCLOSED 3.5MM TO RCA CABLE.

Package Contents:

- (1) Sub-woofer Cabinet
- (2) Satellite Speakers
- (1) Remote Control
- (1) User Manual
- (1) RCA Cable
- (1) 3.5mm RCA Cable

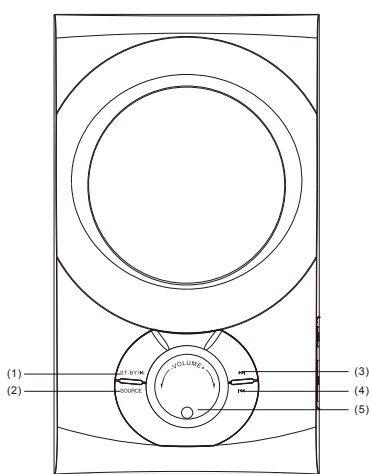
Specifications:

- Power Audio : 350 Watts Total System Power
- Drive Units: 3" x 2 full range magnetically shielded satellite speakers and powered sub-woofer
- Frequency Response: 20 - 20,000 Hz
- Power Supply: 120V
- Dimensions (W x H x D):
 - Sub-woofer - 6.7in x 12.3in x 13.2in
 - Satellites - 4.1in x 6.7in x 4.4in

Features:

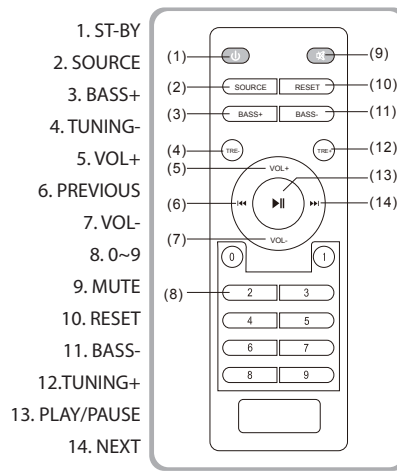
- 2.1 channel multimedia speaker for computer or home system
- Built In Bluetooth Receiver
- Full audio spectrum performances, ideal for your favorite entertainment such as MP3, MP4, CD/DVD movies and digital playbacks
- Specially designed woofer cabinet for bass and resolution
- Comes with remote control and RCA stereo connection cable

Front Panel



1. **ST-BY/PLAY/PAUSE** : Press to turn on speaker, long press into stand-by. PLAY/PAUSE on the USB/SD/BT mode.
2. **SOURCE** : Change the input mode.
3. **NEXT** : In USB/SD/BT mode, press "NEXT" play next song.
4. **PREVIOUS** : In USB/SD/BT mode, press "PREVIOUS" play previous song.
5. **- VOLUME +** : Volume up/down.

Using The Remote Control

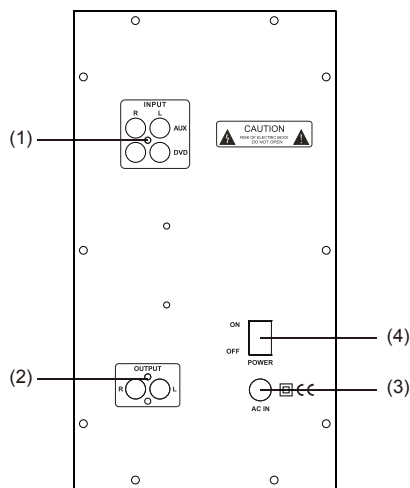


1. **ST-BY** : Turn on/Stand-by the speaker.
2. **SOURCE** : Select the source- AUX/DVD /USB/SD/FM/BT.
3. **BASS+** : To decrease the BASS by pressing.
4. **TREBLE-** : Adjust the treble volume by pressing TREBLE+/- from +6dB to -6dB.
5. **VOL+** : Volume up.
6. **PREVIOUS** : Play the previous song by pressing "PREVIOUS" at USB/SD/BT input mode.
7. **VOL-** : Volume down.
8. **0-9** : Numeric keys, with the help of these keys you select song or track in USB, and in FM, you can key in station frequency, i.e. for 92.7 key in 92.7.
9. **MUTE** : Press "MUTE" to activate or deactivate mute.

10. **RESET** : can reset volume.
11. **BASS-** : To Increase the BASS by pressing.
12. **TREBLE+** : Adjust the treble volume by pressing TREBLE+/- from -6dB to +6dB.
13. **PLAY/PAUSE** : Plays/pauses songs alternately. In BT mode, press "PLAY/PAUSE" for 3 seconds to force disconnect the BT.
14. **NEXT** : Play the next song by pressing "NEXT" at USB/SD/BT input mode.

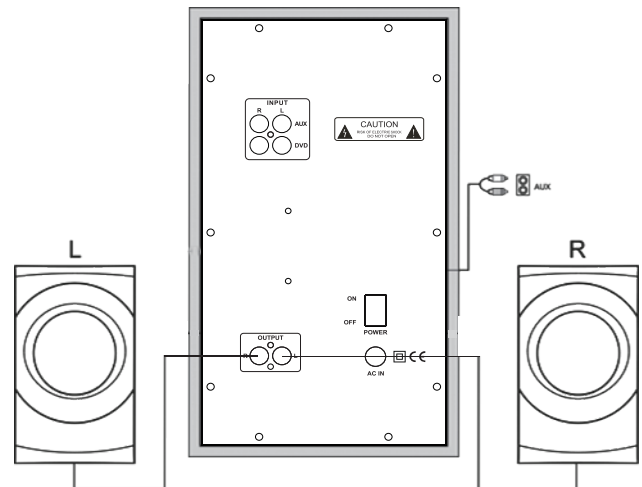
Note: if remote loses function, please replace the 2 AA batteries.

Rear Panel



- 1.) **AUX Input**
- 2.) **FL/FR Output**
- 3.) **AC Power Cord**
- 4.) **Power ON/OFF**

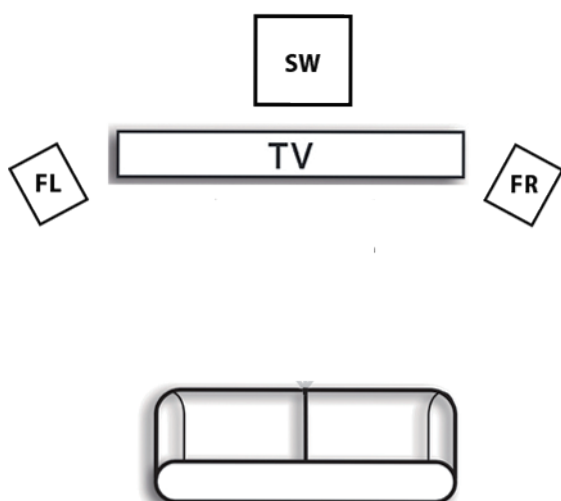
System Connections



1. Insert both satellite speaker cables into their respective output sockets located at the rear of the sub-woofer. (FL : Front Left Speaker, FR : Front Right Speaker)
2. For dimensional sound, insert audio cable into respective AUX socket and connect to laptop, game console or mobile device.
3. Once you've connected the system in your preferred method, insert the power plug into ~120V wall outlet and switch power to ON.

Note: Please avoid leaving magnetic objects near the system

Positioning the Speakers



*Sub-woofer can go anywhere on the floor of the room (there is no directional requirement for bass effect)

*FL and FR speakers should be in front of the listener facing inward toward the center

This device complies with part 15 of the FCC Rules. Operation is subject to the following two conditions: (1) This device may not cause harmful interference, and (2) this device must accept any interference received, including interference that may cause undesired operation.

Note: The Grantee is not responsible for any changes or modifications not expressly approved by the party responsible for compliance. Such modifications could void the user's authority to operate the equipment.

Note: This equipment has been tested and found to comply with the limits for a Class B digital device, pursuant to part 15 of the FCC Rules. These limits are designed to provide reasonable protection against harmful interference in a residential installation. This equipment generates, uses and can radiate radio frequency energy and, if not installed and used in accordance with the instructions, may cause harmful interference to radio communications. However, there is no guarantee that interference will not occur in a particular installation. If this equipment does cause harmful interference to radio or television reception, which can be determined by turning the equipment off and on, the user is encouraged to try to correct the interference by one or more of the following measures:

- Reorient or relocate the receiving antenna.
- Increase the separation between the equipment and receiver.
- Connect the equipment into an outlet on a circuit different from that to which the receiver is connected.
- Consult the dealer or an experienced radio/TV technician for help.

The device has been evaluated to meet general RF exposure requirement. To maintain compliance with FCC's RF exposure guidelines, this equipment should be installed and operated with a minimum distance of 20cm between the radiator and your body.