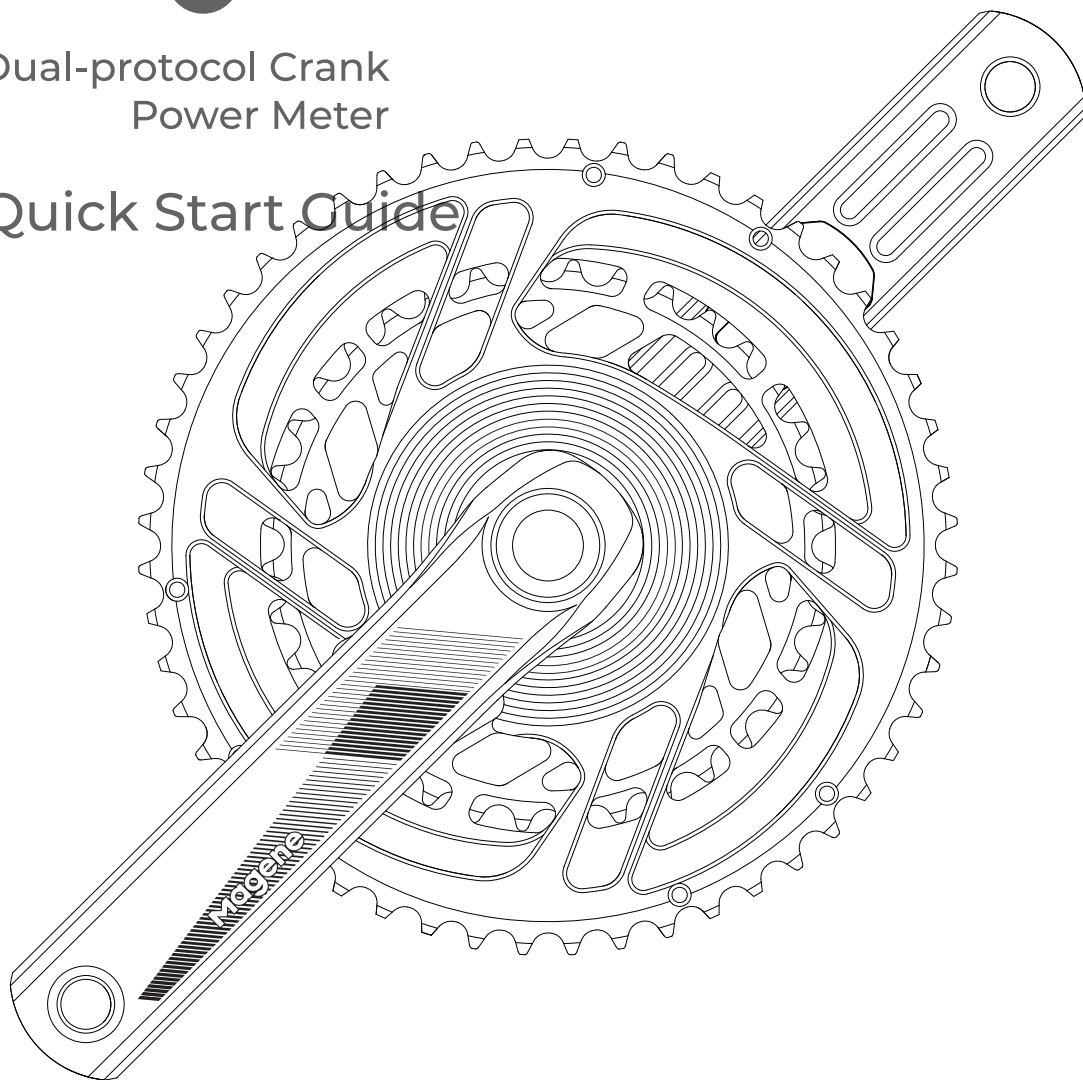


Magene

Dual-protocol Crank
Power Meter

Quick Start Guide



NOTE

If your bicycle brake caliper is installed under bottom bracket, it is necessary to confirm the compatibility between the product and the bicycle frame before installation, so as to avoid unnecessary loss. Please contact the dealer or customer service department for the operation method of compatibility test to confirm that the product is compatible with your frame.

01/ Quick Start Guide

Thank you for purchasing Magene Dual-Sided Crank Power Meter.

(Hereinafter referred to as Magene Power Meter) .

For information regarding crank installation and adjustment not covered in this guide, please refer to your bicycle dealer's instruction manual.

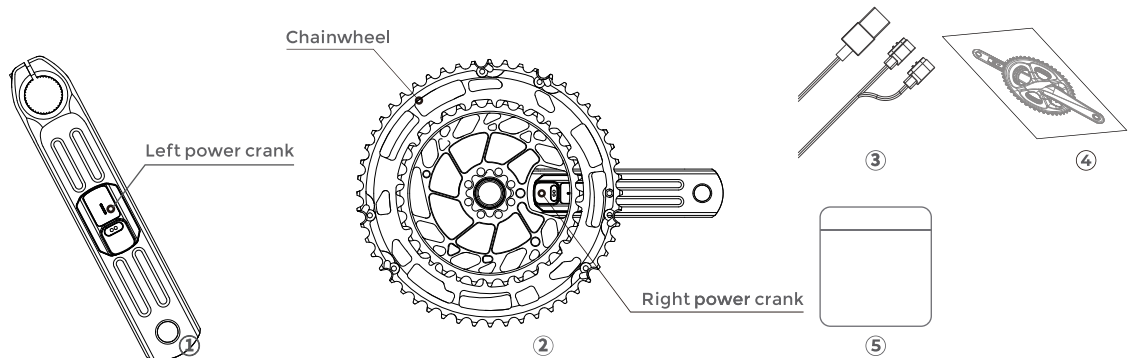


- E-mail: support@magenefitness.com
- Phone: (+86)400-662-8297
- Website: www.magenefitness.com

If you have any questions about the power meter module, please contact us.

02/ Unpacking the Box

Take Magene Power Meter and its parts out of the box and keep the original package for future storing and transporting.



The box should contain:

- ① Left power crank
- ② Right power crank
- ③ Charging line
- ④ Quick start Guide
- ⑤ Accessory Bag

03/ Connect and Activate the Power Meter

Note:

The power meter is not activated and cannot be used normally; the new product must be activated for the first time.

Android users to enter the google Store(iPhone users from the Appstore) to search for the "Magene Utility" app and download it. Follow the prompts to activate your power meter.

Note:

If the activation fails, please click back to enter the device search list and recontact to activate.

04/ Connect the Power Meter Device

Magene Power Meter can be connected to power device after activation.

Magene Power Meter is a Bluetooth and ANT+ dual-protocol power meter that is compatible with ANT+ and Bluetooth devices that support the standardized power meter protocol. Using this protocol the power meter's measured data can be viewed and recorded.

Typically, most bike computers can search for and add power meter equipment in the settings through the settings>sensors>new>sensor>power meter.

Note:

When searching for the Magene Power Meter, step on the pedal connected to

the power meter crank so that the power meter can detect the torque therefore waking up the power meter from Sleep mode, start the Bluetooth or ANT+ signal broadcast and wait for a device to connect.

Note:

If there are multiple power meters in the current environment, you need to identify your power meter by ANT+ ID.

05/ Calibrating The Power Meter

Zero offset calibration will calibrate the power meter to 0 power when at rest. When calibrating, please turn the left crank in the vertical ground down state and use ANT+ Device or MAGENE UTILITY for calibration.

06/ Peripheral Pairing and Functions

Magene Power Meter wirelessly transmits ride information to a bike computer or receiver that support ANT+ or Bluetooth.

Magene Power Meter logs the following information as you ride.

- ① Power
- ② Cadence
- ③ Remaining Battery
- ④ Torque Effectiveness
- ⑤ Pedal Balance
- ⑥ Pedal Smoothness

This product transmits the following information wirelessly to cycle computers or receivers that support ANT+ or Bluetooth LE connections.

Note:

The 4,5,6 wireless receiver can only be used in part of the Apps of Magene. If you are purchasing LITE version, 4 / 5 / 6 features need to be purchased through Magene Utility.

07/ Charging

When you find that the power meter is unable to search for a connection, the power meter may have run out of power. Please charge it as soon as possible.

Charging procedure:

1. Insert one end of the USB interface of the charging cable into the computer or charger, and a section of the magnetic suction head is slightly close to the power meter body to make it absorb naturally.

2. Confirm that the red light of the power meter is always on, and the power meter is in normal charging state. When the battery is fully charged, the light will turn green.

NOTE:

Do not short circuit the magnetic suction end, and do not adsorb on the metal when it is electrified .

Only the USB adapter with an output voltage of 5V can be used for charging.

08/ Product Specifications

	Left Crank Power	Right Crank Power
Power Accuracy	1.5%	
Weight	8g	8g
Power Supply	rechargeable battery	
Working Life	200h	
Wireless Interface	ANT+ Bluetooth BLE 4.2	
Water Proofing	IPX7 splash resistance	
power range	0-2500w	
cadence range	20-240rpm	
external cadence sensor magnets	none	
operating temperature	-10-50 C	
requires zero-point calibration	yes	

09/ Q&A

Please refer to the following if you have any questions in the process of using Magene Power Meter.

Q: Undisplayed power

- A:**
1. Check to see if activation has been performed
 2. Check whether the bike computer or software has been connected
 3. If the connection cannot be made, please charge your power meter

Q: The power has obvious deviation

- A:** Do zero offset calibration by your bike computer or Magene Utility

Q: Zero point calibration failure

- A:** Please place the bicycle on the flat ground, make sure the left crank is straight down and try again.

Q: Torque Effectiveness/Pedal Balance/Pedal Smoothness of right crank power meter is 0

- A:**
1. Use the Magene Utility to check if the right side is connected. After static setting the crank 1 min, don't touch it. Rotate the crank to see if the connection state is restored. If not, check the battery power.
 2. If the problem occurs after the upgrade fails, check that the ID of the right crank (see the ant+ID number on the sticker on the crank) appears in the device list. If so, click the connection, upgrade the device, and re-check the connection status.

If none of the above is applicable or the problem is not solved, please consult online customer service or dealers.

10/ Upgrading the Power Meter's Firmware

Android users to enter the Google Store (iPhone users from the App Store) to search for the "Magene Utility" app and download it.

Use Magene Utility to connect the power meter to obtain the latest firmware.

11/ Warnings and Daily Check

1. Warnings:

- Do not spray the power meter module with high pressure water when cleaning the bicycle.
- Please tighten the crank and pedal bolts exactly according to the instructions. Otherwise, it may cause damage to the crank or pedal.
- Do not put the battery into fire or heat, otherwise it may cause a fire or explode.
- The power meter module is a splash-proof design. Do not soak the power meter module in water.
- Do not subject the crank and power meter module to severe impact, as this may cause the power meter module to detach or malfunction.
- In temperatures below -10°C , the battery life will decay rapidly.
- Use neutral detergent when washing cranks. Use of alkaline or acidic detergents or thinners may shorten the life of the sensor case.

- The power meter module uses the 2.4G wireless communication band. The 2.4G signal environment surrounding the object or the surrounding area may cause interference to communications.
- If the signal connection is found to be unstable, try again in an open area. Strong electromagnetic waves generated by surrounding.
- Do not try to remove the waterproof glue around the power meter module! This will compromise the waterproof performance of the power meter module.
- Natural wear and aging and normal use caused by performance deterioration is not covered by the warranty.

2. Daily Check Items Before Riding

Please check the items listed below before riding. In case of any abnormality, it is recommended to seek professional technicians for maintenance and debugging.

- Are there any cracks in the crank arms?
- Are the fastening sections fixed securely?
- Are the bearing sections fixed securely?
- Are there any abnormal noises?
- Is there sufficient charge remaining in the battery?

12/WARRANTY CARD

Warranty Clauseproduct:

Thank you for purchasing Magene Dual-Sided Crank Power Meter crank-arm power
Please carefully read the Warranty Clause.

Warranty Clause:

This product has passed the strict quality inspection. Failure caused by product quality problem under normal use, we will give free warranty within the warranty period.

The warranty period for Magene chainring is 360 days from the activation data.
The warranty period for Magene power meter and crank is 720 days from the activation date.

The warranty does not cover any problem that is caused by: conditions, malfunctions or damage not resulting from defects in material or workmanship. The fees of shipping back to us for repair shall not be reimbursed and no fees shall be charged for our shipping back to you.

The following situations are not covered by warranty:

- Beyond the warranty period.
- No valid warranty certificate.
- Damage caused by improper use and maintenance.
- The product code on the warranty card does not match the product.
- Unauthorized maintenance, modification, use of parts other than the product.
- Damage caused by irresistible factors.
- Damage caused by not using or installing the product in accordance with the instructions.
- Alter warranty card without authorization.
- Other failures and damages caused by non-product design, manufacturing, quality, etc
- Wear and dirt caused by normal operation, such as scratch, bump, etc

After the warranty expires , we continue to provide maintenance service for which will be charged related service fee.

The company retains the rights to modify and explain above-mentioned contents.

WARRANTY CARD	
PRODUCT INFORMATION	
Customer Name: _____	
Address: _____	
Purchase Date: _____	
Distributor(Stamp and Signature): _____	
SERVICE RECORD	
Service Date	Malfunction and Solution

FCC Warning

Any Changes or modifications not expressly approved by the party responsible for compliance could void the user's authority to operate the equipment.

This device complies with part 15 of the FCC Rules. Operation is subject to the following two conditions:

- (1) This device may not cause harmful interference, and
- (2) This device must accept any interference received, including interference that may cause undesired operation.

FCC Radiation Exposure Statement

This equipment complies with FCC radiation exposure limits set forth for an uncontrolled environment. This equipment should be installed and operated with minimum distance 20cm between the radiator and your body.
