

**Quick Start Guide
Kurzanleitung**

Guide de démarrage rapide

Guida rapida

クイックスタートガイド

빠른 입문 가이드

Guia de início rápido

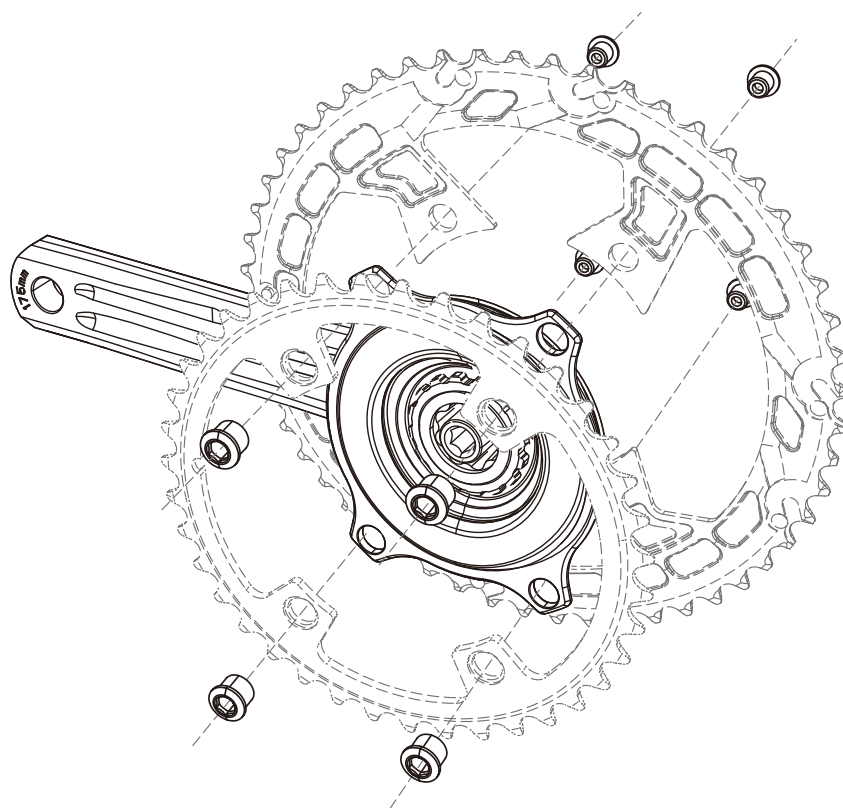
Guía de Inicio Rápido

Краткое вводное руководство

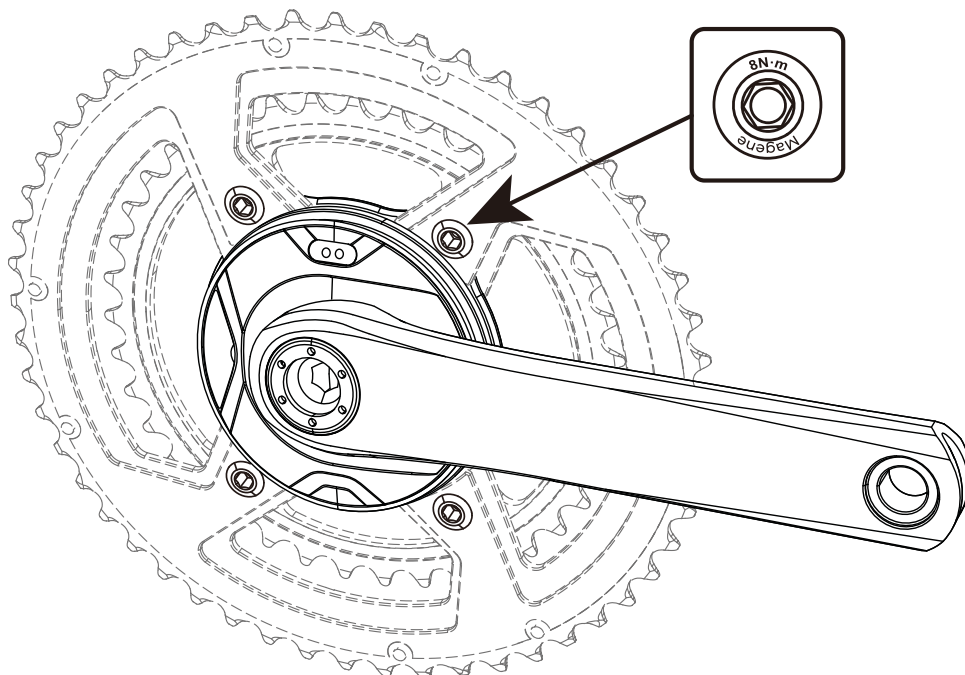
快速入门指南

1

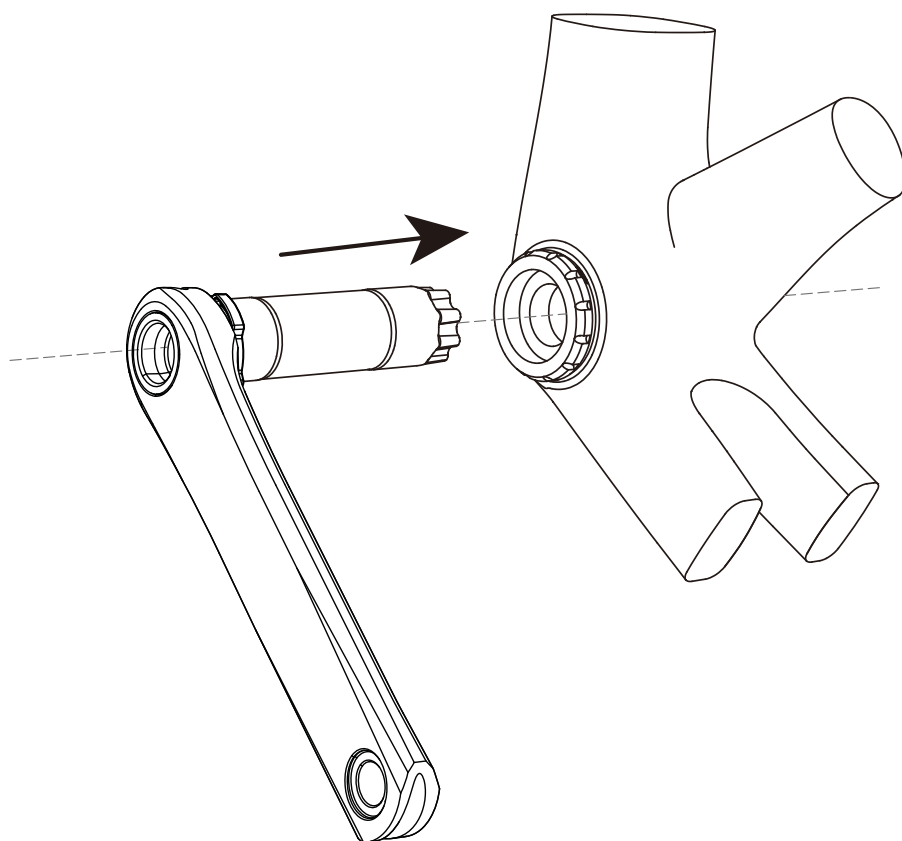
BCD 110mm



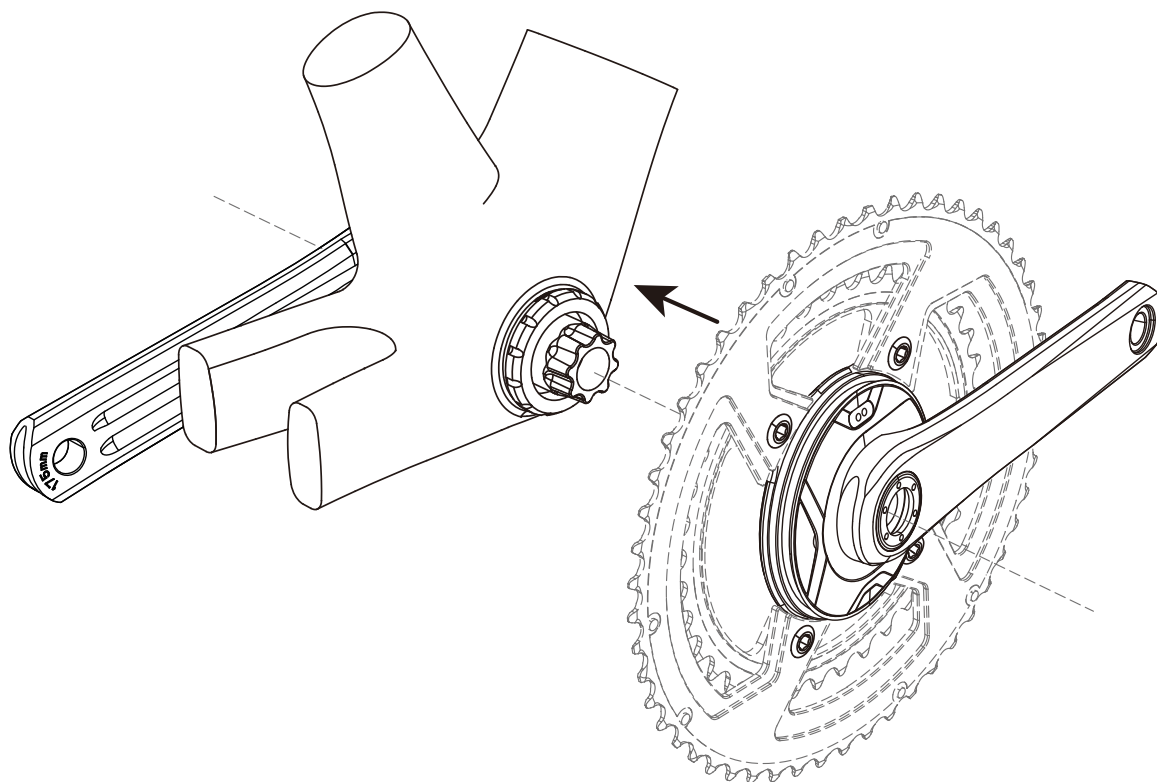
2



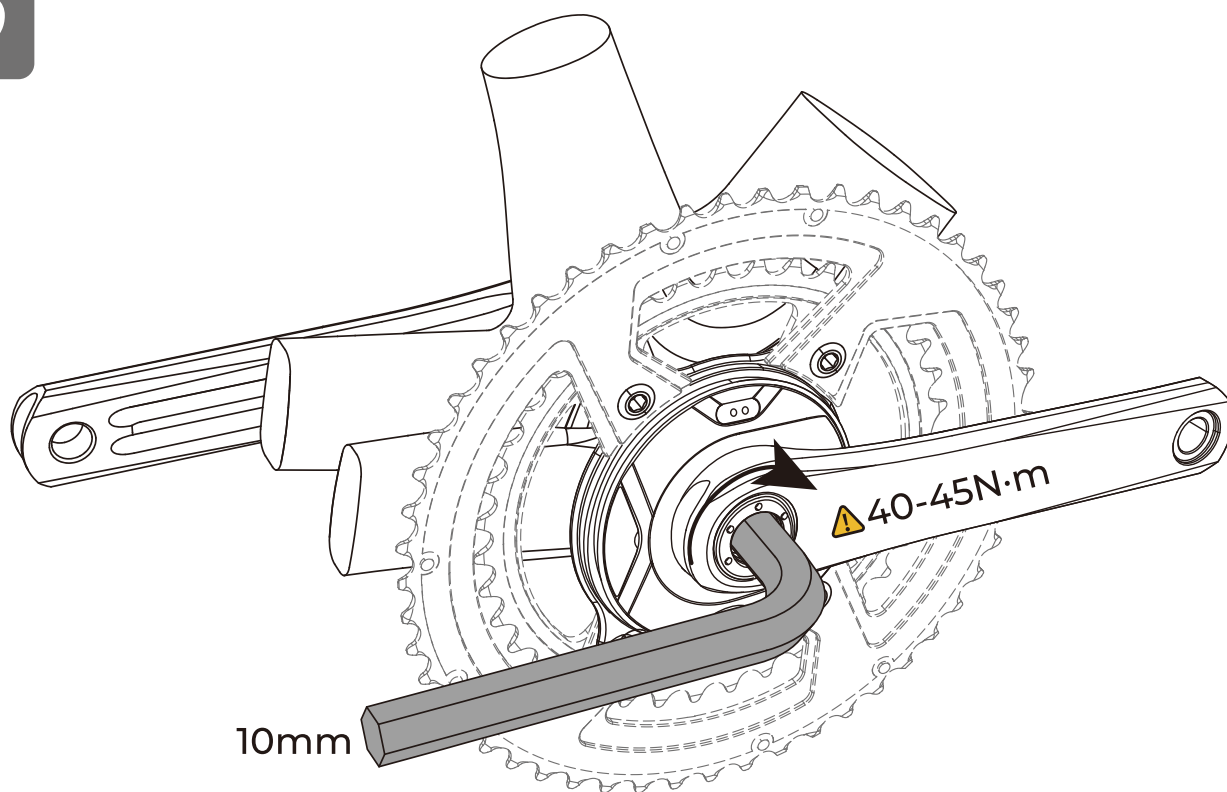
3



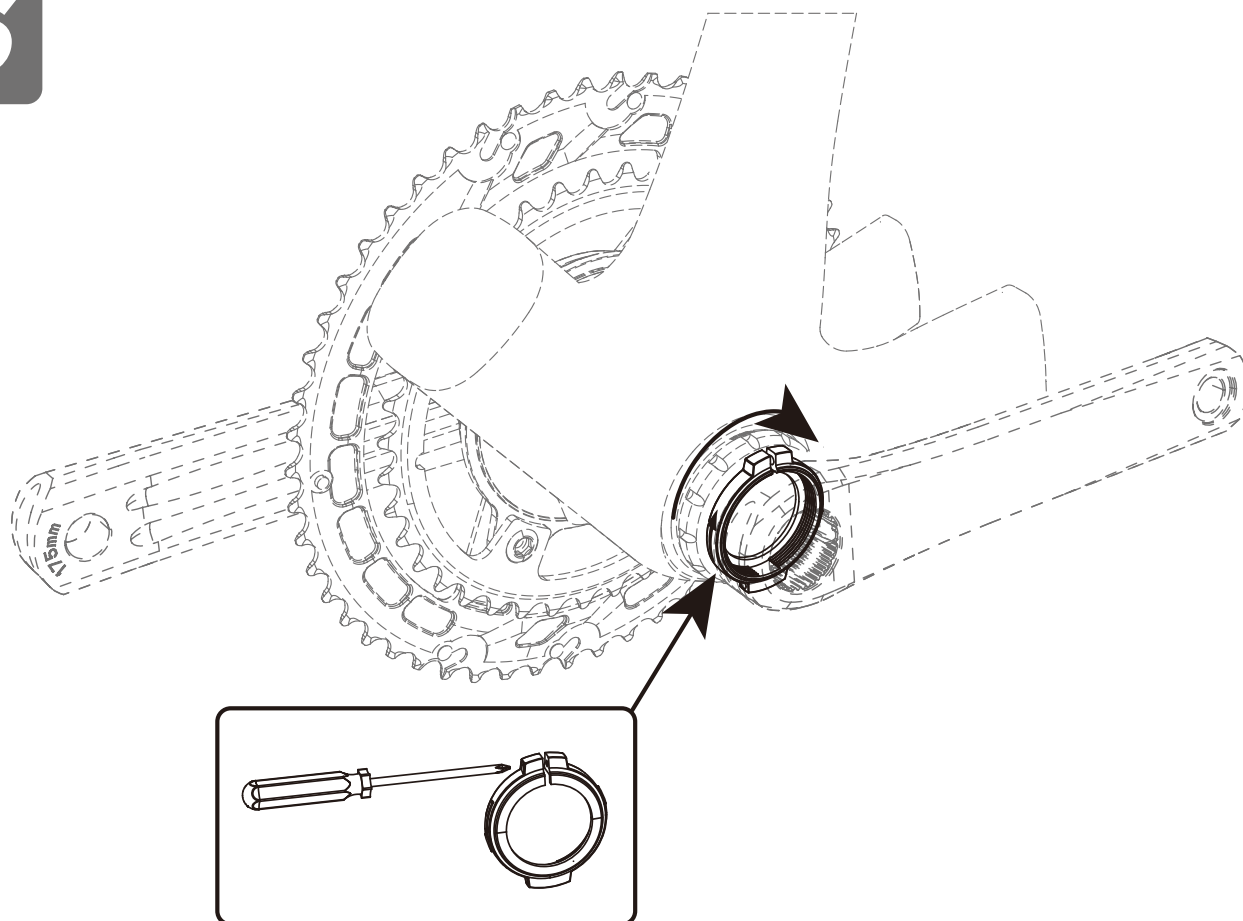
4



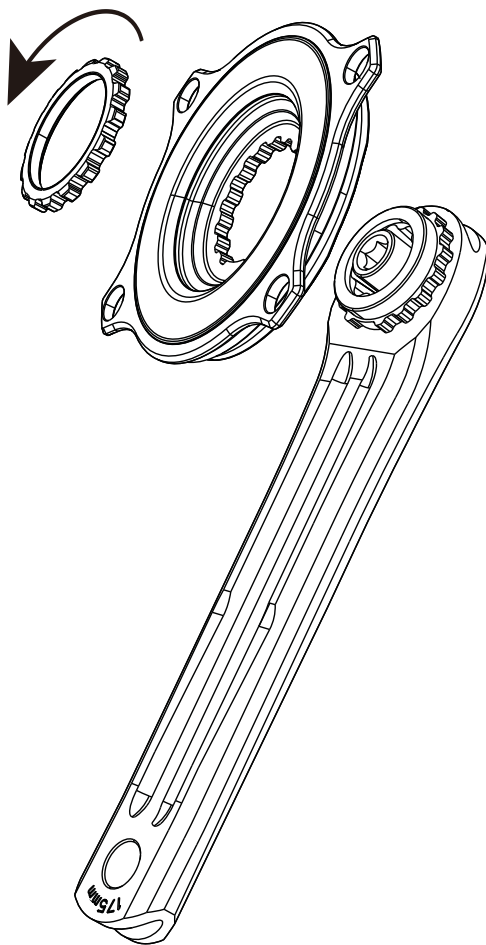
5



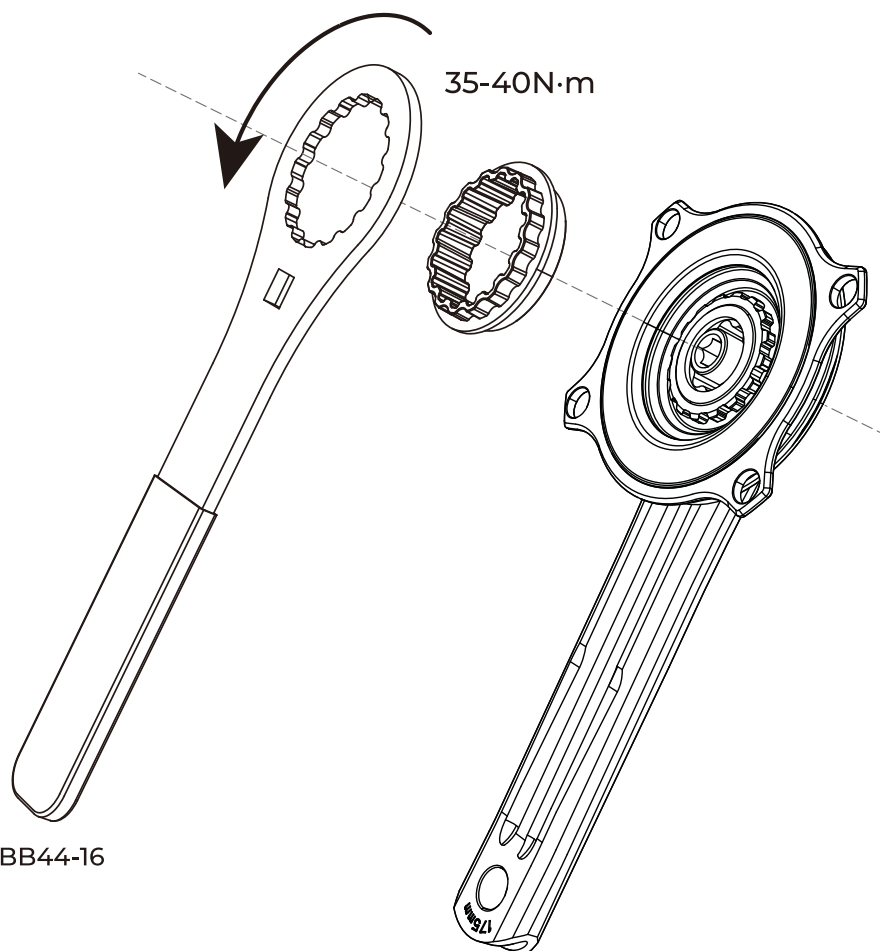
6



7

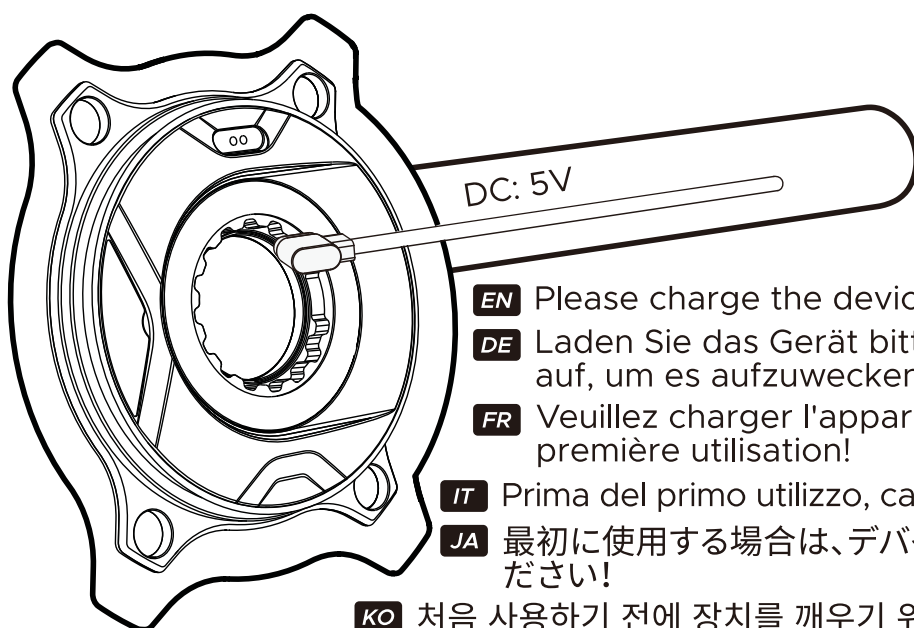


8



PRODUCT SPECIFICATIONS

Spider Power Meter P515	
Model	P0121302A
Power Accuracy	±1%
Power Supply	Rechargeable Battery
Working Life	240H
Wireless Interface	ANT+, Bluetooth
Water Proofing	Ipx7
Power Range	0~2500w
Cadence Range	20~240RPM
Operating Temperature	-20~50°C
Zero-point Calibration	Yes



EN Please charge the device to wake it up before first use!

DE Laden Sie das Gerät bitte vor der ersten Benutzung auf, um es aufzuwecken!

FR Veuillez charger l'appareil pour le stimuler avant sa première utilisation!

IT Prima del primo utilizzo, caricare il dispositivo per riattivarlo!

JA 最初に使用する場合は、デバイスを充電してウェイクアップしてください!

KO 처음 사용하기 전에 장치를 깨우기 위해 장치를 충전합니다!

PT Carregue o dispositivo para despertá-lo antes do primeiro uso!

ES ¡Cargue este dispositivo para despertarlo antes de su primer uso!

RU Чтобы разбудить устройство до первого использования, зарядите его!

ZH 首次使用前请充电唤醒!



Magene Utility



www.magene.com

⚠ WARNING

EN

After riding approximately 100 km (60 miles), use a torque wrench to re-check the tightening torques.

It is also important to periodically check the tightening torques.

To download the software and activate the power meter, please scan the "Magene Utility" QR code.

Multi-language Manual:

Manual in multiple languages can be available from the following link:

<https://www.magene.com/>

⚠ WARNUNG

DE

Kontrollieren Sie nach einer Fahrstrecke von ungefähr 100 km das Anzugsdrehmoment erneut mit einem Drehmomentschlüssel.

Es ist wichtig, dass Sie danach das Anzugsdrehmoment in regelmäßigen Abständen kontrollieren.

Um die Software herunterzuladen und den Stromzähler zu aktivieren, scannen Sie bitte den QR-Code „Magene Utility“.

Mehrsprachiges Handbuch:

Das mehrsprachige Handbuch ist unter folgendem Link zugänglich:

<https://www.magene.com/>

⚠ AVERTISSEMENT

FR

Après avoir conduit environ 100 km (60 miles), utilisez une clé dynamométrique pour vérifier à nouveau les couples de serrage.

Il est aussi important de vérifier les couples de serrage périodiquement.

Pour télécharger le logiciel et activer le wattmètre, veuillez scanner le code QR « Magene Utility ».

Manuel multilingue:

Le manuel multilingue est disponible au lien suivant: <https://www.magene.com/>

⚠ AVVERTENZA

IT

Dopo aver utilizzato la bicicletta per circa 100 km, verificare nuovamente con una chiave torsionometrica le coppie di serraggio.

È importante controllare periodicamente le coppie di serraggio.

Per scaricare il software e attivare il misuratore di potenza, scansiona il codice QR "Magene Utility".

Manuale multilingue:

Il manuale multilingue è accessibile al seguente link: <https://www.magene.com/>

⚠ 警告

JA

約100km走行後にトルクレンチで締付けトルクを再確認してください。

定期的に締付けトルクを確認することも重要です。

ソフトウェアをダウンロードして電力計を有効にする為に、「Magene Utility」というQRコードをスキャンしてください。

多言語マニュアル:

次のリンクから多言語マニュアルにアクセスすることができます。 <https://www.magene.com/>

⚠ 경고

KO

약 100KM (60마일) 주행 시마다 토크 렌치로 조임 토크를 재점검하십시오.
조임 토크를 정기적으로 확인하는 것 또한 중요합니다.

소프트웨어를 다운로드하고 전력계를 활성화하려면 “Magene Utility” QR 코드를 스캔하십시오.

다중 언어 사용법:

다중 언어 사용법은 다음 링크를 통해 접속이 가능합니다. <https://www.magene.com/>

⚠ ADVERTÊNCIA

PT

Após rodar cerca de 100 km (60 milhas), use uma chave de torque para verificar novamente os torques de aperto.

Também é importante verificar periodicamente os torques de aperto.

Para baixar o software e ativar o medidor de energia, digitalize o código QR “Magene Utility”.

Manual Multilíngue:

O manual multilíngue pode ser acessado pelo seguinte link: <https://www.magene.com/>

⚠ ADVERTENCIA

ES

Después de andar aproximadamente 100 km (60 millas), use una llave de torque para volver a verificar los pares de apriete.

También es importante verificar periódicamente los pares de apriete.

Para descargar el software y activar el medidor de potencia, escanee el código QR “Magene Utility”.

Manual multiidiomas:

Puede acceder al manual multiidiomas desde el siguiente enlace: <https://www.magene.com/>

⚠ ВНИМАНИЕ!

RU

Проехав примерно 100 км, снова проверьте момент затяжки динамометрическим ключом. Периодически проверяйте момент затяжки!

Перед использованием сканируйте QR - код “Magene Utility”, загрузите программное обеспечение и активируйте устройство.

Многоязычное руководство:

Многоязычное руководство доступно по следующей ссылке: <https://www.magene.com/>



迈金骑行



迈金服务

⚠ 警告

ZH

每骑行100公里后, 请再次通过扭力扳手确认拧紧力矩为合适值。
定期确认拧紧力矩十分重要。

请关注“迈金骑行”微信公众号进行产品激活操作。

详细安装教程及注意事项请登录官网或关注“迈金服务”微信公众号获取: <https://www.magene.com/>

FCC statements

This device complies with part 15 of the FCC rules. Operation is subject to the following two conditions: (1) this device may not cause harmful interference, and (2) this device must accept any interference received, including interference that may cause undesired operation.

NOTE: The manufacturer is not responsible for any radio or TV interference caused by unauthorized modifications or changes to this equipment. Such modifications or changes could void the user's authority to operate the equipment.

NOTE: This equipment has been tested and found to comply with the limits for a Class B digital device, pursuant to part 15 of the FCC Rules. These limits are designed to provide reasonable protection against harmful interference in a residential installation. This equipment generates uses and can radiate radio frequency energy and, if not installed and used in accordance with the instructions, may cause harmful interference to radio communications. However, there is no guarantee that interference will not occur in a particular installation. If this equipment does cause harmful interference to radio or television reception, which can be determined by turning the equipment off and on, the user is encouraged to try to correct the interference by one or more of the following measures:

- Reorient or relocate the receiving antenna.
- Increase the separation between the equipment and receiver.
- Connect the equipment into an outlet on a circuit different from that to which the receiver is connected.
- Consult the dealer or an experienced radio/TV technician for help.