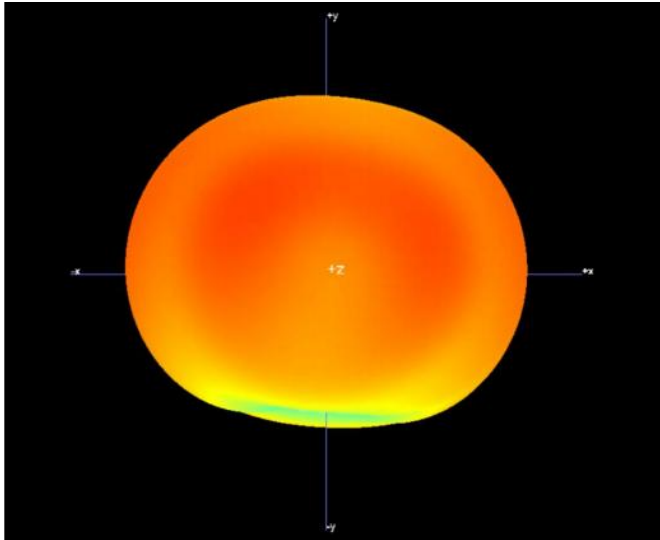


# Antenna Specification

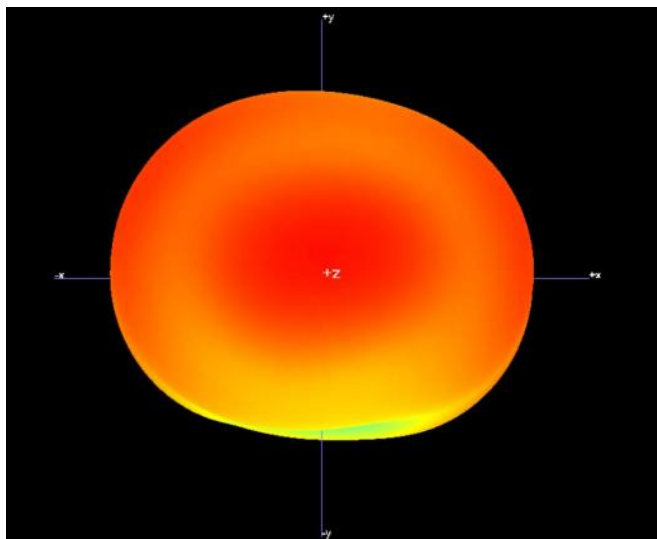
## Model: L308

## PART I

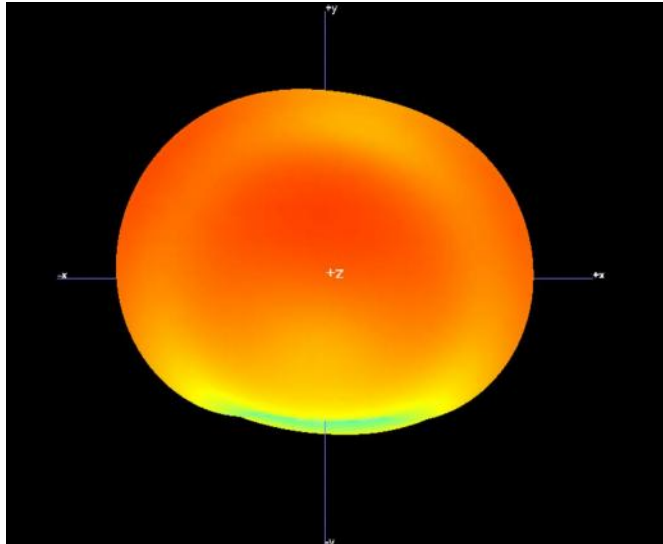
### 3D Radiation Pattern



2400MHz



2440MHz

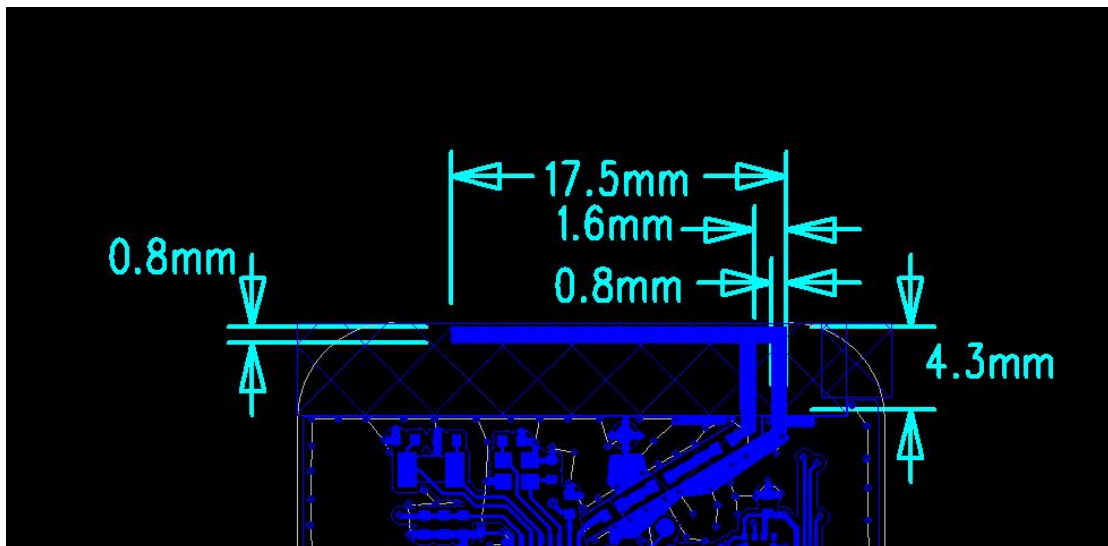


2480MHz

Frequency Range(MHz)	2400	2440	2480
Gain X (dBi)	-1.9	-2.0	-2.3
Gain Y (dBi)	-1.6	-1.6	-1.5
Gain Z (dBi)	-2.4	-2.4	-2.3

## Part II

Dimensions:



(unit:mm)