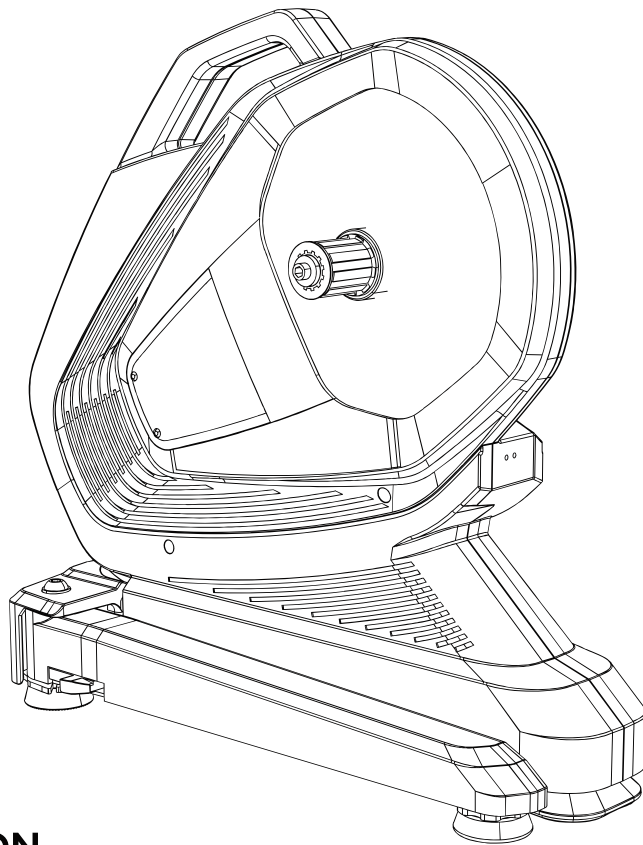




T300 PLUS SMART TRAINER



**RIDE ON
POWER UP
REACH BEYOND**

**Quick Start Guide
And Instructions**

Quick start guide and instructions

Thank you for purchasing the T300 Plus Smart Trainer.
Please read the instructions carefully before using it.

If you have any questions, please contact us immediately:

- Email: support@magenefitness.com
- Website: www.magenefitness.com

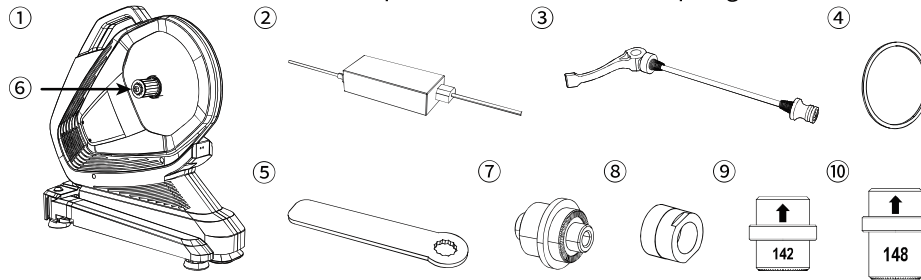
Caution!

- There is a wide range of bike models, and we cannot guarantee that the trainer is compatible with each bike. Therefore, we recommend that you visit your local bike store to test your bike for compatibility before purchasing the trainer, thus avoiding damage to your bike's frame.
- Modifications to the trainer to make it compatible with your bike, including (but not limited to) grinding components, adding spacers or improperly reversing the adapters, are strictly prohibited and will void your warranty and increase risk. The manufacturer is not responsible for any damage or injury caused by improper installation and use of the trainer, or misuse of accessories.
- User should weigh less than 100kg.
- Before beginning or modifying any workout program please consult your physician.
- Keep children and pets away from the trainer while in use.
- Do NOT put hands or objects near moving parts of the trainer.
- Only use the trainer on a stable, level surface.
- Do NOT attempt to dismount or assemble the bicycle while the trainer is in motion.
- Use caution when standing while riding on the trainer.
- Keep the trainer away from water, fire and other barriers.
- Only use the power adapter that comes with the trainer.
- Only use accessories that comes with the trainer.
- Check to make sure the bicycle is properly secured to the trainer before every ride.

Unpacking

After you take out the trainer and accessories from the package, please make sure to keep the original product packaging for future transportation or storage. When encountering after-sales problems, please be sure to use the original packaging for mailing; the manufacturer will not be responsible for any damage caused by mailing in non-original packaging. If the original packaging is lost, please contact your local distributor or after-sales service personnel.

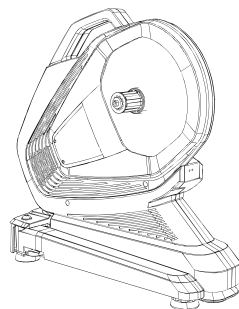
- ① T300 Plus Smart Trainer
- ② AC Power Adapter
- ③ Quick Release Skewer
- ④ Freehub Body Spacer
- ⑤ Hex Tool
- ⑥ Adapter A - Quick Release End Cap (installed already)
- ⑦ Adapter B - For 130mm and 135mm Quick Release
- ⑧ Adapter C - Thru-axle cap
- ⑨ Adapter D - 12*142 Thru-axle open gear converter
- ⑩ Adapter E - 12*148 Thru-axle open gear converter



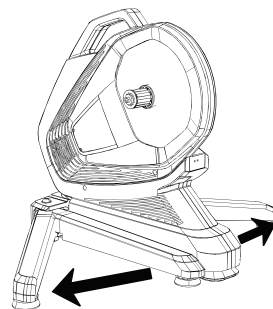
Caution:

1. The following diagrams of tools and accessories are printed only to illustrate the use of the product, and the configuration of the real product parts is subject to the packing list.
2. Thru Axle bicycle frame must use Thru Axle conversion kit.

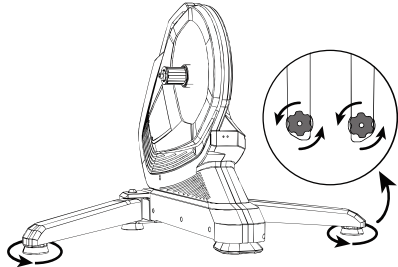
Install the trainer



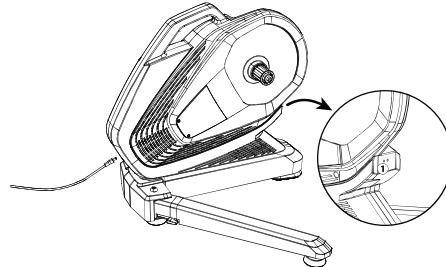
1. Place the trainer on a stable ground, and ensure there are no obstacles or dangerous objects around and there is enough space to deploy the trainer.



2. Swing out the orange handle in the arrow direction, spread the legs until they click into place.



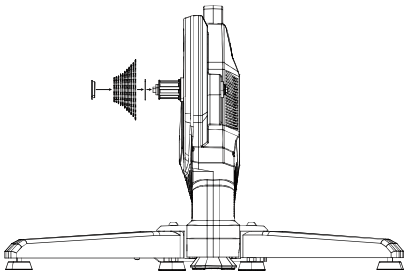
3. Adjust the cushion blocks. Swing the platform slightly to ensure the cushion blocks on both side contact with the ground simultaneously. Then tighten the aluminum nuts.



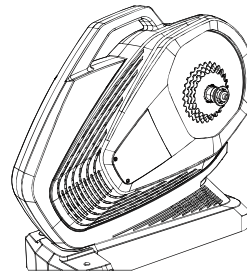
4. Connect the trainer to power and the indicator ① on the shell is on.

Installing cassette

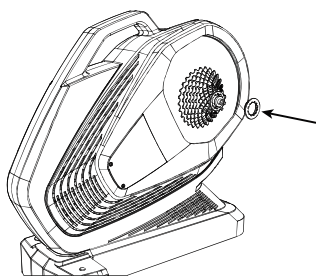
Before installation, please prepare cassette , wrench and sleeve.



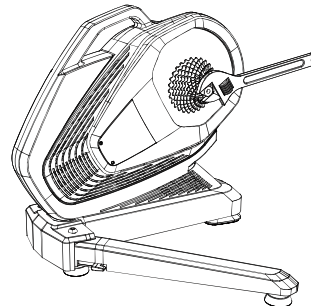
1. To install a compatible 9, 8 or 10 speed cassette, it will be necessary to use the included 1.8mm spacer, but not so for 11 or 12 speed cassette.



2. Put the cassette onto the freehub in order from big to small size accordingly, paying attention to the alignment of the freehub spline.

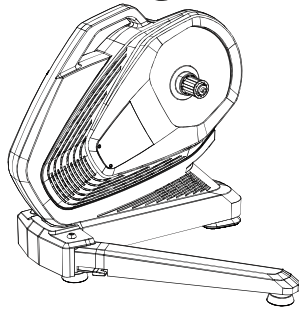


3. Install the cassette cover and tighten it roughly by hand.

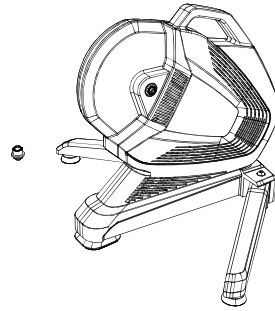


4. Insert the cassette sleeve and use the wrench to tighten the flywheel again.

Installing quick release

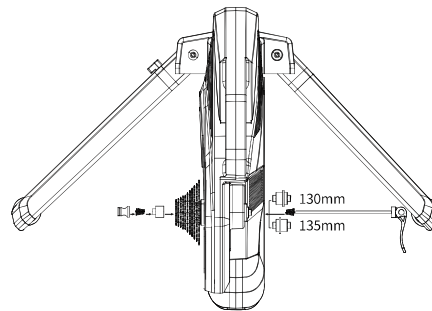


1. The quick release end cap on the freehub has been installed by the manufacturer.

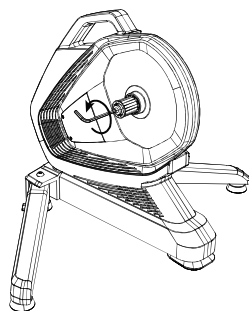


2. Choose the quick release matching the specification of your bicycle, and insert the quick release adapter into the non-drive side of the trainer.

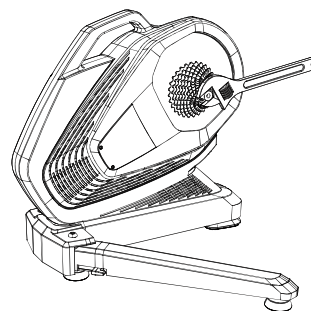
3. Insert the quick release skewer into the non-drive side of the trainer; insert the conical springs into the left and right ends of the quick release skewer separately, with the tips facing inward, and then screw on the nuts.



Installing thru axle adapter

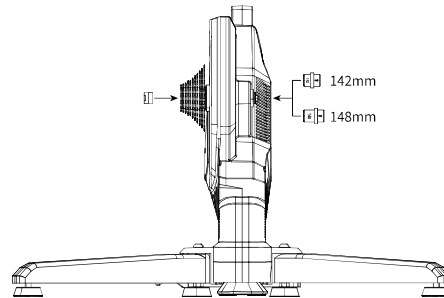


1. Use a 5mm hex to unscrew the quick release end cap on the freehub body counterclockwise.



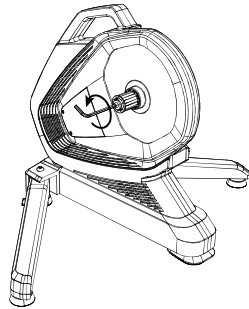
2. Use a wrench to tighten the thru axle end cap.

3. Choose the thru axle matching the specification of your bicycle, and insert the thru axle adapter into the non-drive side of the trainer.

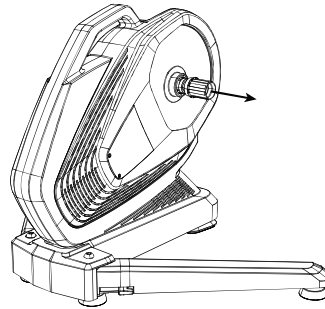


Installing XDR freehub body

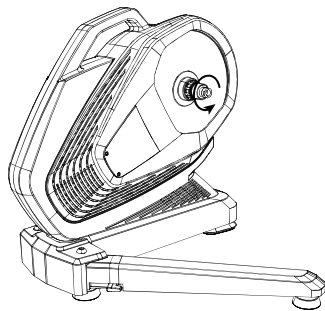
SRAM XDR freehub, thru axle end caps need to be purchased separately.



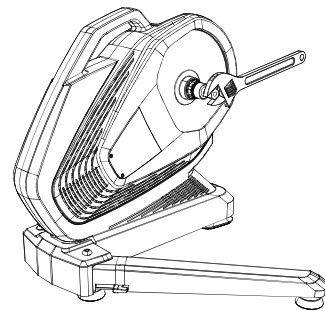
1. Use a 5mm hexagon socket to counterclockwise unscrew the quick release end cap on the freehub body.



2. Pull out the original freehub.

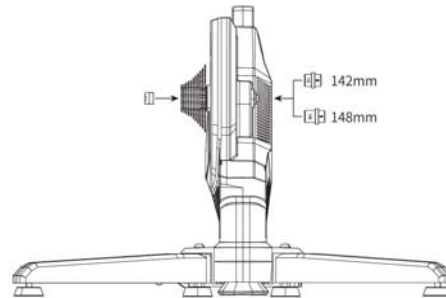


3. Insert your XDR freehub into the trainer, turn it counterclockwise and keep pressing the freehub and detent of the freehub until the freehub is fully installed in place.

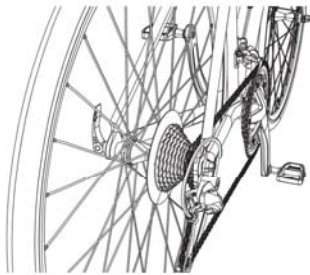


4. Screw on the end cap of the thru axle and use a wrench to lock it in place.

5. Choose the thru axle matching the specification of your bicycle, and insert the adapter of the thru axle into the non-drive side of the trainer.



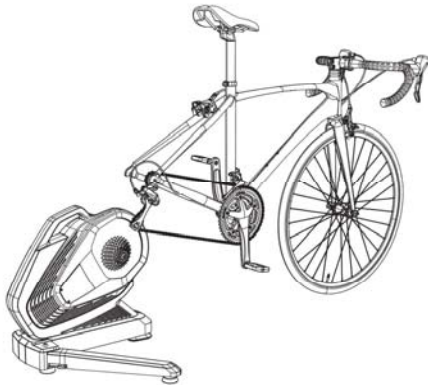
Attaching your bicycle (quick release)



1. Shift your bicycle chain into the smallest sprocket in the front and rear.



2. Release the rear brake, open the quick release skewer, lift the bicycle frame, and then remove your rear wheel.



3. Push the quick release skewer on the trainer to the "open" mode, seat the bike on the trainer, and then align the chain with the smallest sprocket on the trainer.

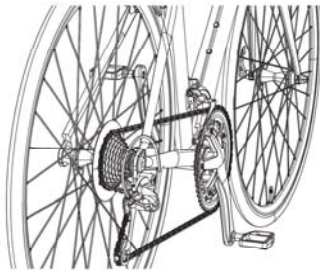


4. Lift the front wheel up while pressing down on the saddle to ensure the bicycle is fully seated on the trainer.

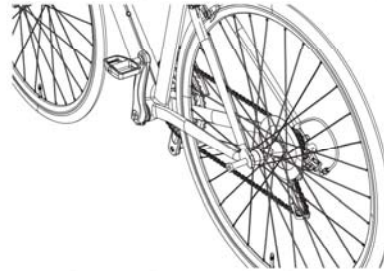
5. Tighten the quick release nuts while turning the quick release skewer on and off frequently until resistance is felt.
6. Lock the thru axle and wiggle the bicycle frame to ensure that the frame does not fell off from the trainer.



Attaching your bicycle (thru axle)



1. Shift your bicycle chain into the smallest sprocket.



2. Release the rear brake, remove the thru axle, lift the bicycle frame, and then remove your rear wheel.

3. Align the rear axle with the trainer's axle hole in the center, insert the barrel axle, and then aligning the chain with the smallest sprocket.

4. Lock the thru axle and wiggle the bicycle frame to ensure that the frame does not fell off from the trainer.



Caution!

- Failure to properly tighten the quick release skewer or thru axle may result in property damage or personal injury.
- If you are unsure of proper assembly, please consult your local bike shop or contact us for assistance.
- Failure to properly assemble the quick release skewer or thru axle, please do not ride the trainer.
- Do NOT ride the trainer until the quick release skewer or thru axle is tightened, thus avoiding damages.
- Do NOT adjust the quick release skewer or thru axle while someone is sitting or standing on the bike.

Activating and performing a spin down

CAUTION! The new product must be activated before first use.

1. Turn on Bluetooth of your cell phone.
2. Download Magene Utility App and connect to the trainer.
3. Select your device to connect and activate.

CAUTION! A spin down should performed for the new product before first use.

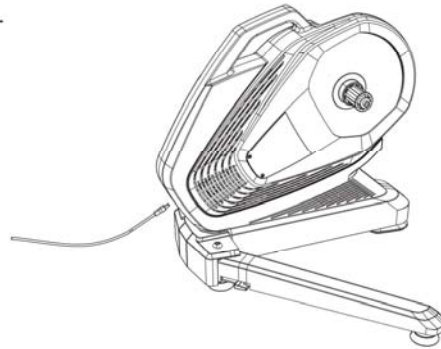
1. Download Magene Utility App and connect to the trainer.
2. Ride with 150W power for 10 minutes to achieve the best efficiency of the drive chain.
3. Follow the prompts for a spin down.
4. The spin down should be repeated once every two weeks to ensure accurate power measurement.



Connecting trainer

CAUTION! The hardware and software you use must support ANT+ or BLE 4.0 and above. For PC without built-in Bluetooth, you can install a Bluetooth receiver or ANT+ Dongle (sold separately).

1. Power on the trainer and the indicator light on the housing will illuminate.
2. Download Onelap App and register your account.
3. Select the sports mode as "bike".
4. Select the corresponding trainer in the device list to connect.
5. Select your workout program and start riding.



Modes and indicators

The trainer has two indicators and a gradient atmosphere lamp.

LED indicator description

System status indicator ①

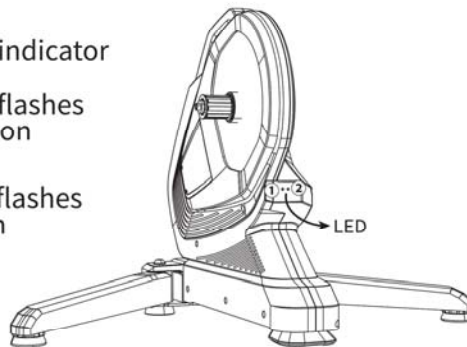
- Power-on status: the red and blue indicator flash twice alternatively
- Standby status: the blue indicator flashes
- Riding status: the blue indicator is on

Connection indicator ②

- Not connected: the blue indicator flashes
- Connected: the blue indicator is on

Gradient atmosphere lamp

- The gradient atmosphere lamp displays white, blue, green, yellow and red in order from low power to high power.



Product specification

Model	P0102007
Rated voltage and current	DC 12V,5A
Maximum simulated slope	22%
Max power	2600W
Power accuracy	±2%
Rotational inertia	730000Kg*mm ²
Noise level	<56dB @1.5m&30km/h
Wireless protocol	ANT+™、Bluetooth
Size (unfolded)	480*750*500mm
Size (folded)	480*210*500mm
Overall weight	18kg
Compatible cassette	Shimano, SRAM 8-11 speed cassette Shimano 12-speedcassette SRAM XDR 12-speed cassette
Compatible bicycle frame	130/135mm Quick Release 12*142/12*148mm Thru Axle
Compatible wheels	26"~29"MTB 700C RD

FCC Statement:

This device complies with part 15 of the FCC Rules. Operation is subject to the following

two conditions: (1) This device may not cause harmful interference, and (2) this device

must accept any interference received, including interference that may cause undesired operation.

This equipment has been tested and found to comply with the limits for a Class B digital

device, pursuant to part 15 of the FCC Rules. These limits are designed to provide reasonable protection against harmful interference in a residential installation. This

equipment generates, uses and can radiate radio frequency energy and, if not installed and used in accordance with the instructions, may cause harmful interference to radio communications. However, there is no guarantee that interference will not occur in a particular installation. If this equipment does cause harmful interference to radio or television reception, which can be determined by turning the equipment off and on, the

user is encouraged to try to correct the interference by one or more of the following measures:

—Reorient or relocate the receiving antenna.

—Increase the separation between the equipment and receiver.

—Connect the equipment into an outlet on a circuit different from that to which the receiver is connected.

—Consult the dealer or an experienced radio/TV technician for help.

Caution: Any changes or modifications not expressly approved by the party responsible

for compliance could void the user's authority to operate the equipment.

This equipment complies with FCC radiation exposure limits set forth for an uncontrolled environment. This transmitter must not be co-located or operating in conjunction with any other antenna or transmitter.

This equipment should be installed and operated with minimum distance 20cm between the radiator & your body.

