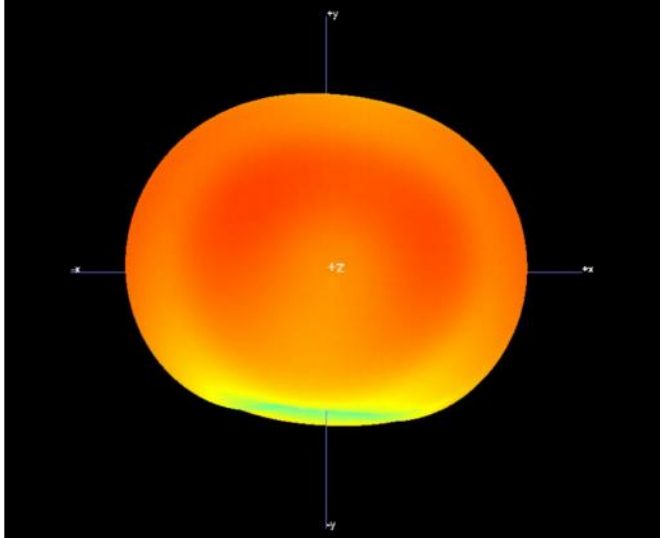


Antenna Specification

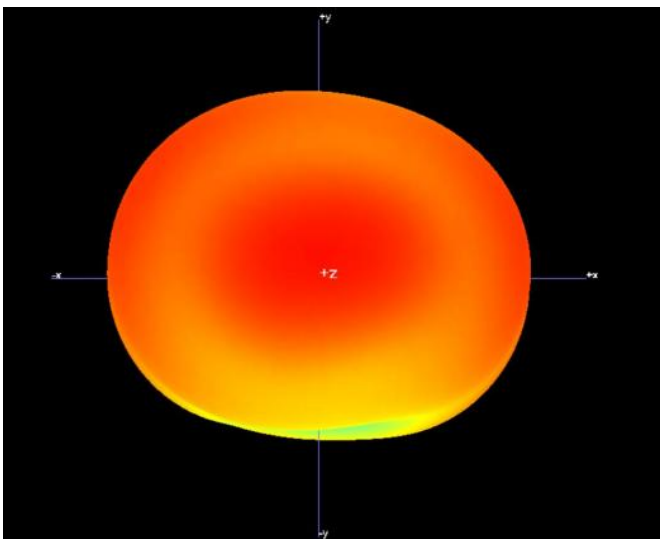
Model: P0101264

PART I

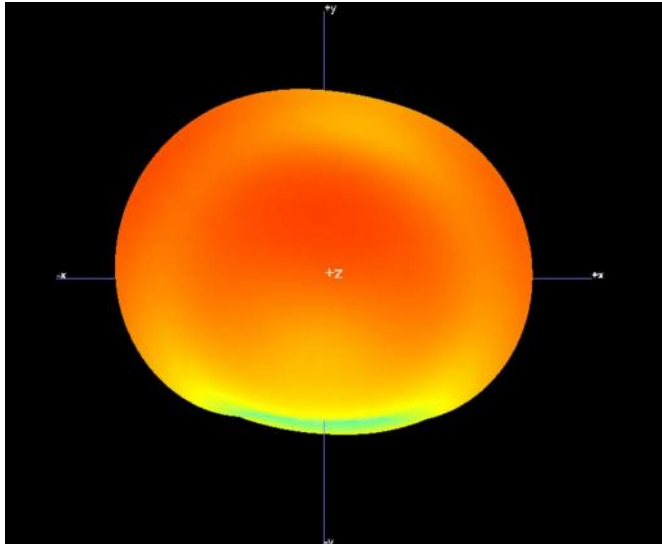
3D Radiation Pattern



2400MHz



2440MHz

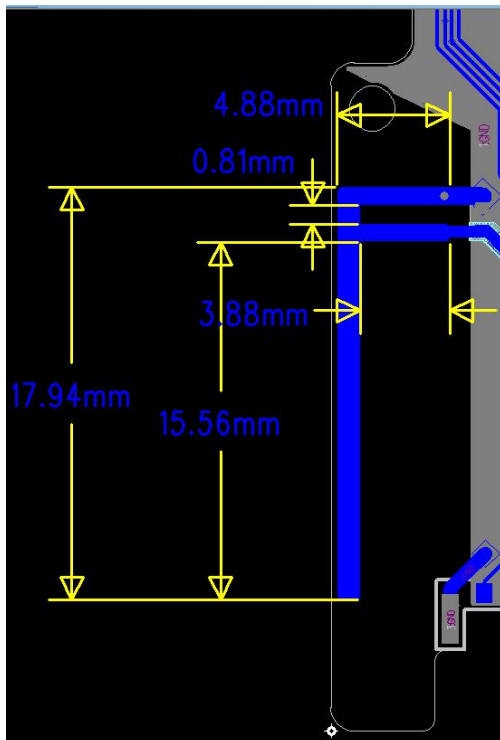


2480MHz

Frequency Range(MHz)	2400	2440	2480
Gain X (dBi)	-1.9	-2.0	-2.3
Gain Y (dBi)	-1.6	-1.6	-1.5
Gain Z (dBi)	-2.4	-2.4	-2.3

Part II

Dimensions:



(unit:mm)