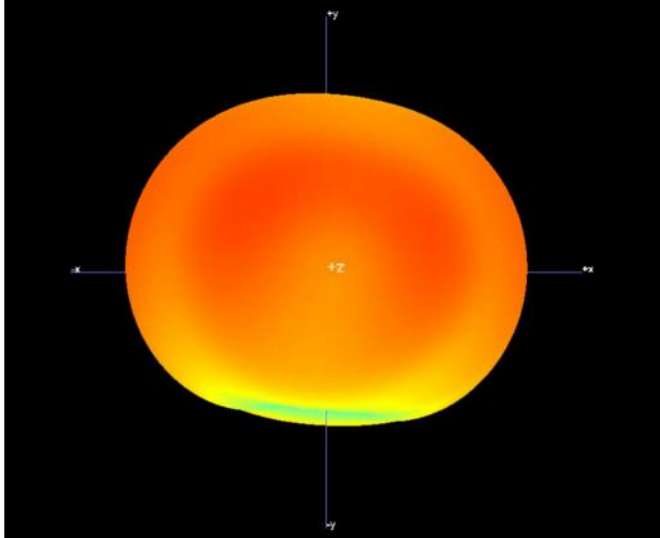


# Antenna Specification

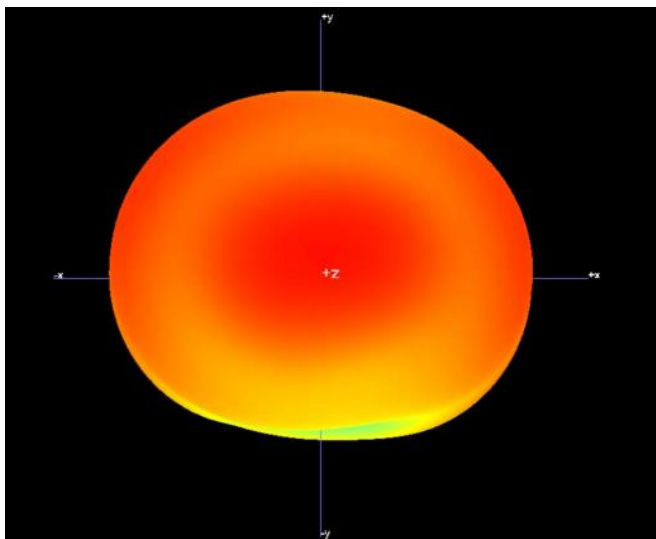
## Model: P0101264

## PART I

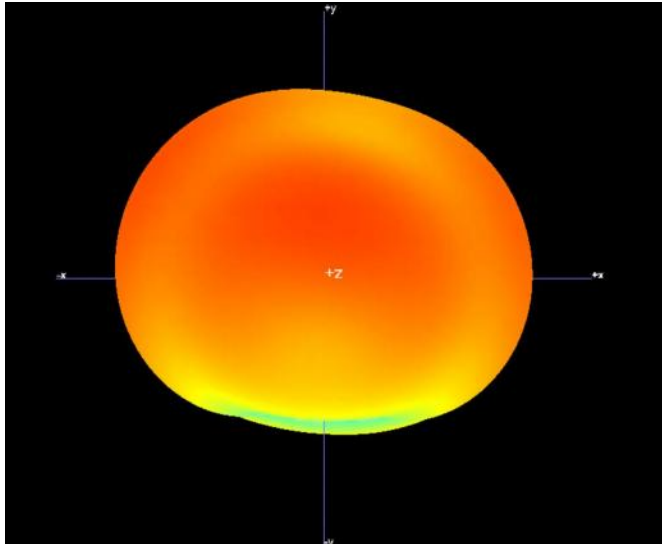
### 3D Radiation Pattern



2412MHz



2442MHz

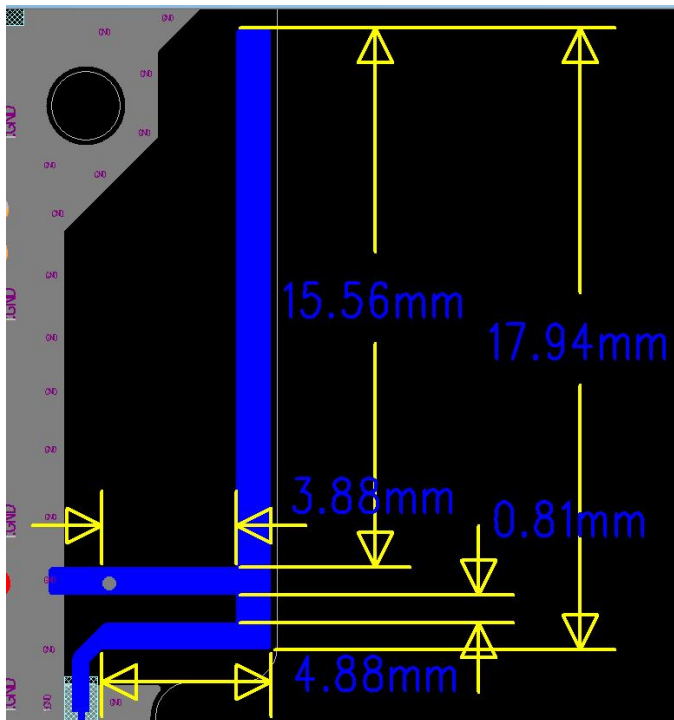


2484MHz

Frequency Range(MHz)	2412	2442	2484
Gain X (dBi)	-1.9	-2.0	-2.3
Gain Y (dBi)	-1.6	-1.6	-1.5
Gain Z (dBi)	-2.4	-2.4	-2.3

## Part II

Dimensions:



(unit:mm)