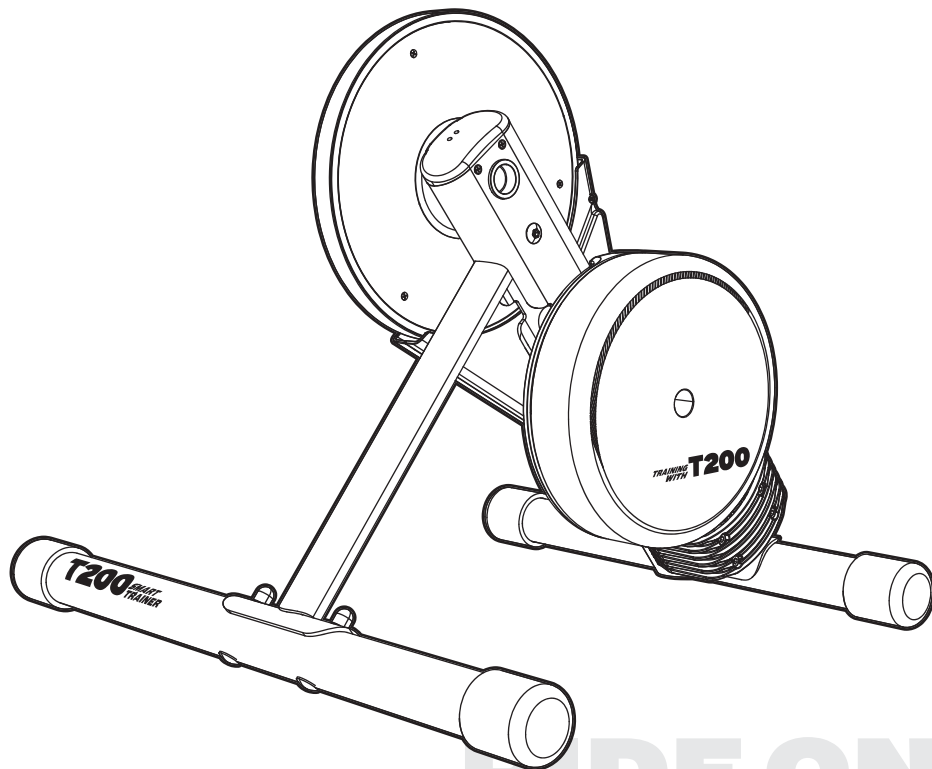




T200

Smart Trainer

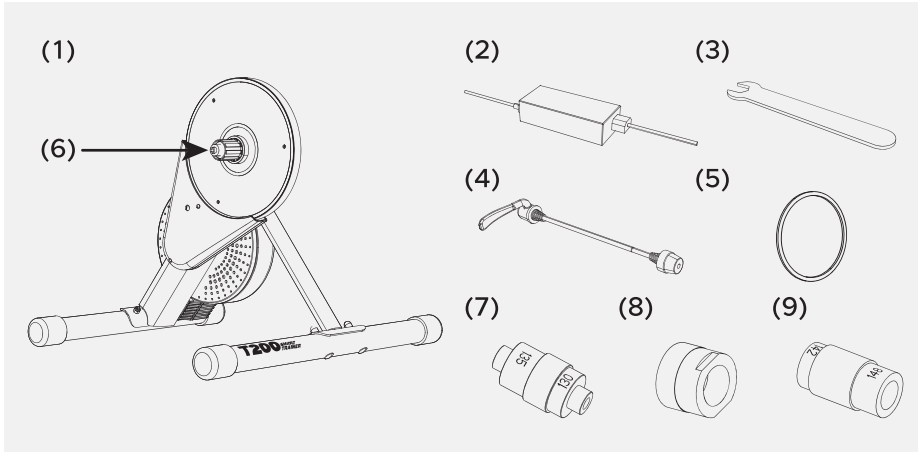
QUICK START GUIDE



RIDE ON
POWER UP
REACH BEYOND

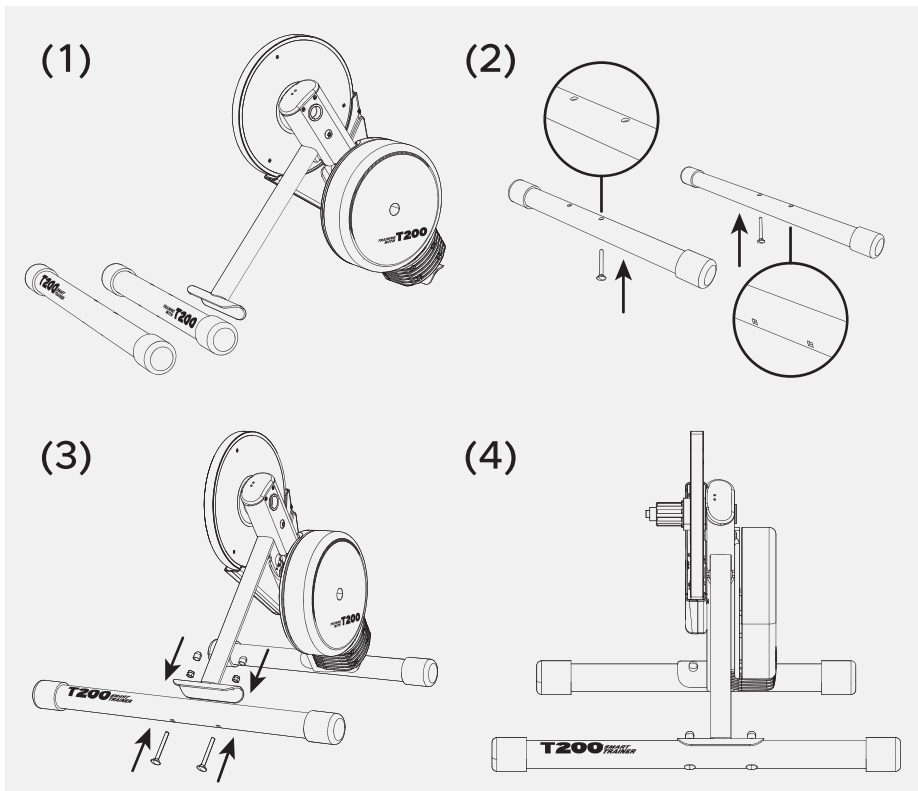
P1

UNPACKING

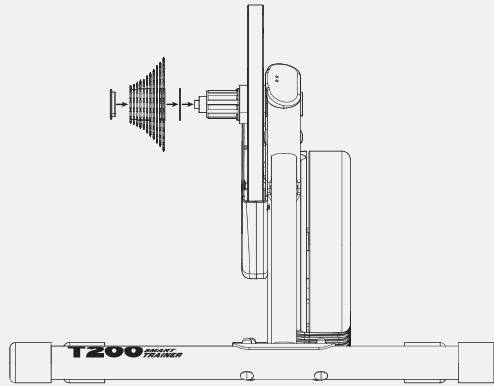


P2

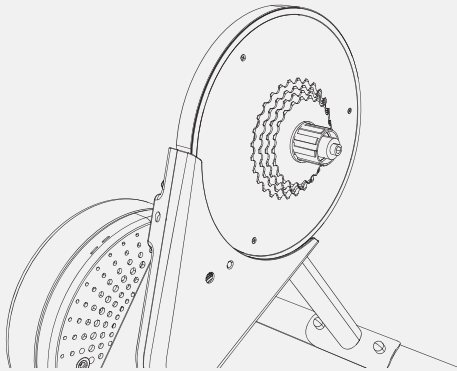
INSTALL THE TRAINER



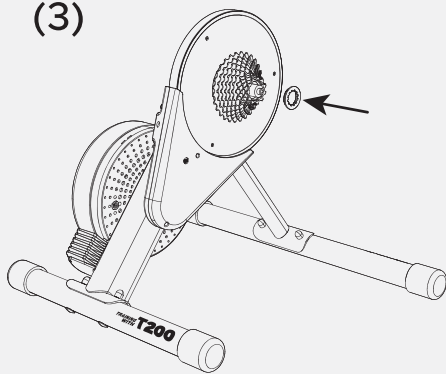
(1)



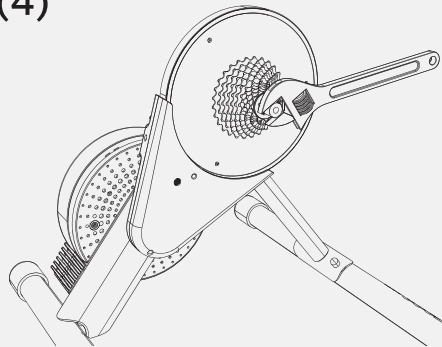
(2)



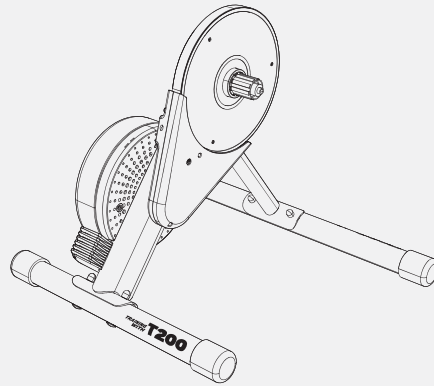
(3)



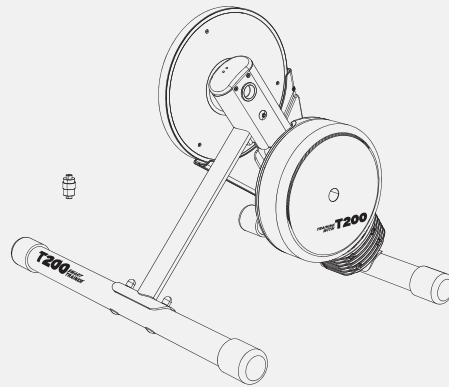
(4)



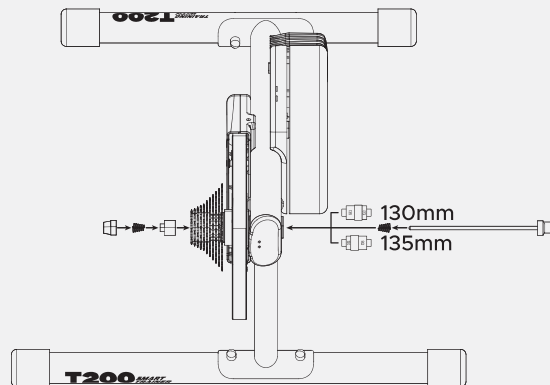
(1)



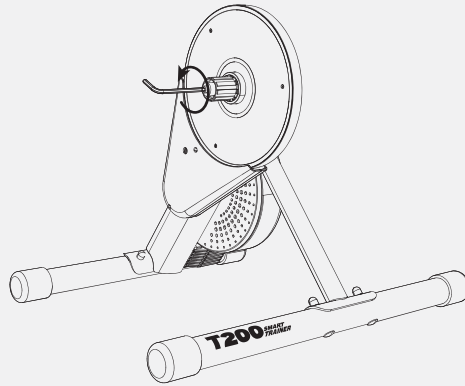
(2)



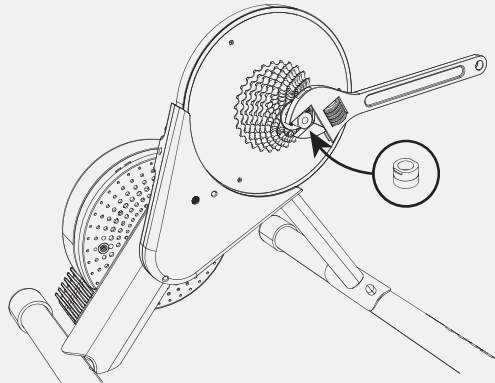
(3)



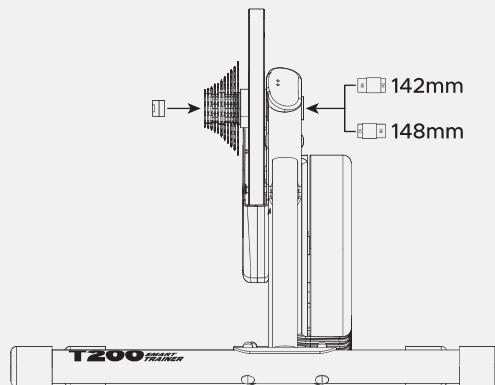
(1)

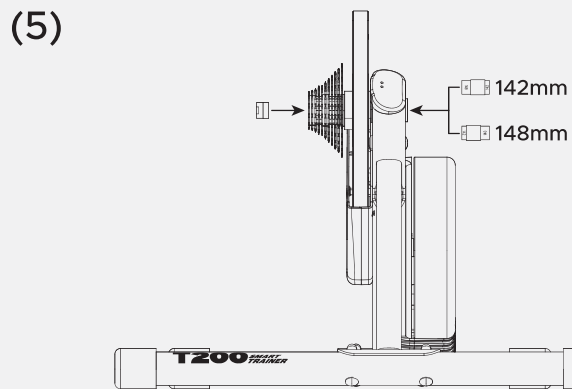
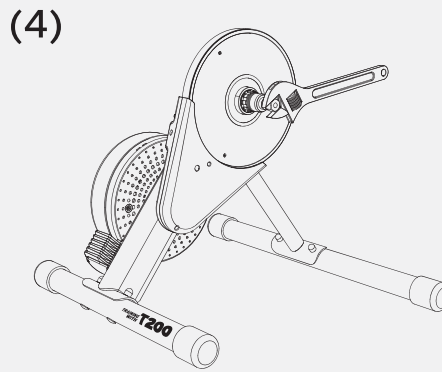
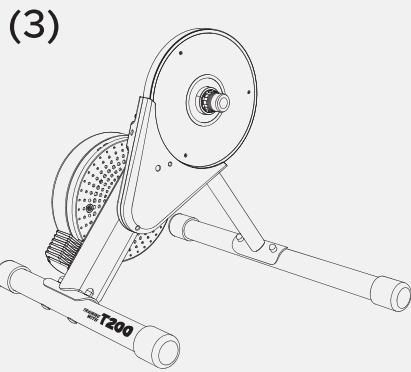
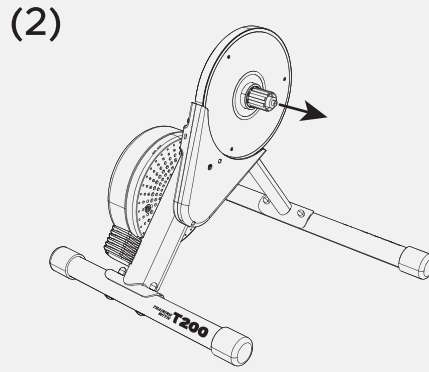
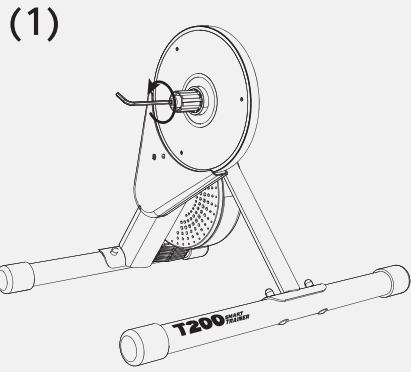


(2)



(3)





ATTACHING YOUR BICYCLE (QUICK RELEASE)

