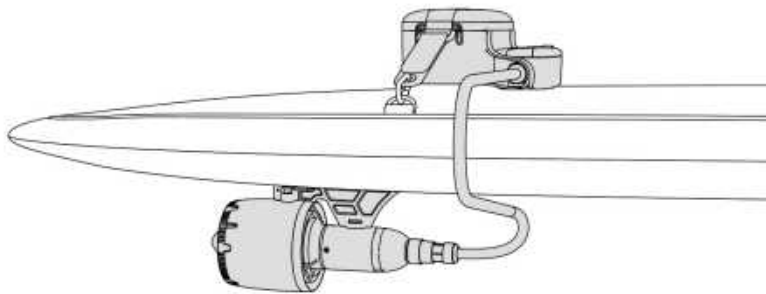


SEAKOOL™ P1

PRODUCT MANUAL FOR SEAKOOL P1



* This product is not recommended for people under the age of 16.

CONTENTS

SEAKOOL

1. Safety Precautions	01
2. Product Overview	03
3. Technical Parameters	04
4. List of Articles	07
5. Component Introduction	08
6. Battery	15
7. Operating Instructions	17
8. Common Faults and Troubleshooting Methods	22
9. Maintenance	24

Please read this user manual and other precautions carefully before using this product.



Tips

- 1 This product only provides power for all types of paddle boards and is limited to water use and cannot be used for other purposes.
- 2 Before using this product, the product should be fully inspected to confirm that the battery is not damaged, the power is sufficient, the connections are firmly connected, and the propeller and thruster are operating normally.
- 3 Do not drink alcohol or use drugs before or during use of this product.
- 4 When using this product, consideration should be given to the use of floating equipment, local water regulations, and precautions for use.
- 5 When using this product, it 's important to consider whether the water depth is deep enough to support the floating propeller. If the paddle board is stranded, players should not sit on it to avoid damage to the propeller.
- 6 When using this product, each passenger must bring a life jacket or similar PFD (Personal Floating Device) and a paddle certified by a local authority.
- 7 When using this product, the user should attach one end of the battery safety switch to the safety rope at the ankle.
- 8 When using this product, you should be fully familiar with the waters you are playing in. If the propeller is wrapped with seaweed or fishing line, or trapped in mud, please immediately turn off the power and clean up the debris.
- 9 If you encounter stones or obstacles in the water while using this product, you should turn the direction in time to avoid falling into the water.
- 10 After using this product, rinse it with water; do not put it in sea water or salt water to avoid damage to the motor.
- 11 Children under the age of 12 cannot use this product; they must not play with it without supervision.

- 12 People aged 16 and above, as well as individuals with physical, sensory, or intellectual disabilities, and those without experience using similar products, may use this device under peer supervision, proper guidance, and an understanding of the associated risks.
- 13 Do not charge or use this product during thunderstorms and lightning.
- 14 Do not use this product in rapids, strong currents, or sudden storms or tides.
- 15 Do not replace batteries and thruster in water, if necessary, replace batteries in a dry environment, and keep equipment and hands dry.
- 16 Do not insert fingers or other parts of the human body into the propeller, nor insert any foreign objects into the propeller.
- 17 Do not modify or add any other parts to the product. If any parts are damaged, please contact the after-sales services center.
- 18 This product uses lithium-ion batteries, always follow battery usage guidelines and precautions.
- 19 The charging port on the battery case of this product should be connected to the charger or the lid should be covered to prevent short circuit damage caused by other metals or moisture.
- 20 If the charger and remote control are not used for a long time, the power supply must be disconnected.
- 21 When not using this product, the equipment should be stored at a temperature of 0-40 ° C and away from direct sunlight.
- 22 Before this product is scrapped, please be sure to remove the battery from the product; before removing the battery, please be sure to disconnect the device from the power supply; please be sure to properly dispose of the scrapped battery in accordance with local regulations.
- 23 Please use the original factory designated battery, designated charger and remote control watch of this product. For replacement, please contact the designated after-sales services center.

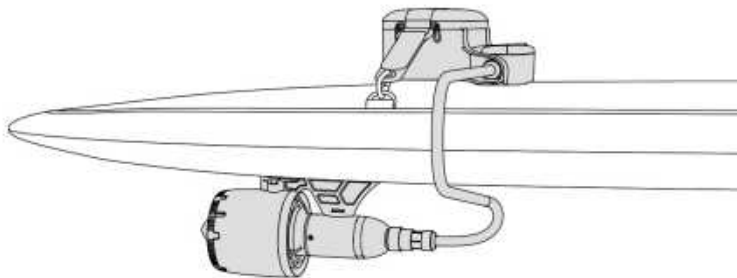
Product Introduction

SEAKOOL P1 paddle board thruster is a powerful and compact water leisure product accessory launched by HIGH GREAT globally. It 's perfect for inflatable paddle boards, SUPs, and surf paddle boards, especially for outdoor enthusiasts.

Installed on the paddle board and controlled by remote control, it provides an extraordinary water experience. Water sports are so simple!

The SEAKOOL P1 is a high-tech paddle board thruster that powers various flotation equipment. Strong power, the propeller thrust can reach to 6.5kg, so that every breath can become your driving force.

The simple design, stylish and lightweight body allows players to travel anywhere. The multi-speed setting allows the fastest speeds to reach 9km/h, fully satisfying players' varying speeds. The remote control and wireless remote control watch allow players to have a more convenient and safer water experience. The battery life is long-lasting, up to 75 minutes, allowing players to enjoy a pure and free experience of blue sky and clear water. Simple to use, just push the propeller part into the installation slot of various flotation devices according to the operating instructions, and players can experience the purity and freedom of blue sky and clear water!



Complete Machine

Product name	SEAKOOL P1 paddle board thruster
--------------	----------------------------------

Weight (with battery)	4kg
-----------------------	-----

Waterproof depth	0-5m
------------------	------

Working environment temperature	0-40°C
---------------------------------	--------

Remote Control Watch

Remote control distance	5m
-------------------------	----

Operating frequency	2.4GHz
---------------------	--------

Charge	USB 5V
--------	--------

Remote control battery	150mA 3.7V
------------------------	------------

Thruster

Rated voltage	25.9V
---------------	-------

Rated power	300W
-------------	------

Motor speed	4000r/min
-------------	-----------

Weight	1.2kg
--------	-------

Maximum thrust	6.5kg
----------------	-------

Maximum driving speed	9km/h
-----------------------	-------

Maximum speed battery life	The highest gear (Gear 3): 75min
----------------------------	-------------------------------------

Batteries & Adapters

Capacity	14Ah
----------	------

Weight	2.35kg
--------	--------

Nominal voltage	25.9V
-----------------	-------

Charging time	3h30min
---------------	---------

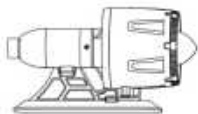
Charge input	AC100V/240V 50/60Hz 2.5A MAX
--------------	------------------------------

Charging ambient temperature	5-40°C
------------------------------	--------

Charging indication	The red light indicates charging, and the green light indicates full
---------------------	--

04 List of Articles

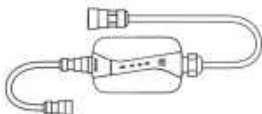
SEAKOOL



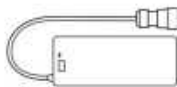
Paddle board thruster



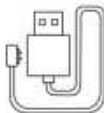
Battery pack (including battery)



Converter



Charging adapter



Magnetic charging cable



Elastic rope



Thruster special caudal fin



Hard plate adapter

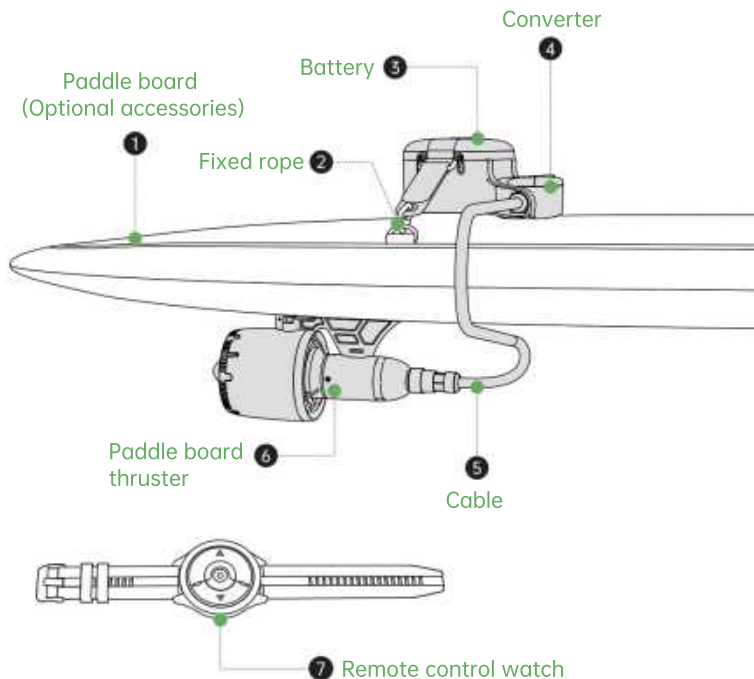
* Before using this product, please carefully check whether the product packaging contains all the above items. If any lost, please contact HIGH GREAT Company or your purchasing dealer.

* Please check whether the appearance of the new machine is damaged.

05 Component Introduction

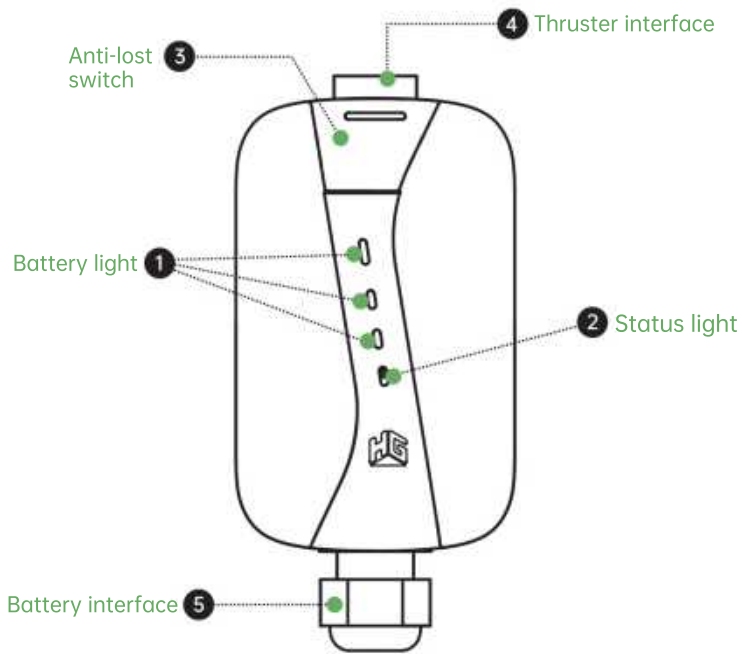
SEAKOOL

Product as a whole



* HIGH GREAT's innovative P1 paddle board thruster is compatible with all SUP plates and kayaks with slide-in fin boxes.

Converter



IC Statement

This device contains licence-exempt transmitter(s)/receiver(s) that comply with Innovation, Science and Economic Development Canada's licence-exempt RSS(s). Operation is subject to the following two conditions:

- (1) This device may not cause interference.
- (2) This device must accept any interference, including interference that may cause undesired operation of the device.

The term "IC: " before the certification/registration number only signifies that the Industry Canada technical specifications were met.

This product meets the applicable Industry Canada technical specifications.

Cet appareil contient des émetteurs / récepteurs exemptés de licence conformes aux RSS (RSS) d'Innovation, Sciences et Développement économique Canada. L'exploitation est autorisée aux deux conditions suivantes :

- (1) l'appareil ne doit pas produire de brouillage, et;
- (2) l'utilisateur de l'appareil doit accepter tout brouillage radioélectrique subi, même si le brouillage est susceptible d'en compromettre le fonctionnement.

L'émetteur/récepteur exempt de licence contenu dans le présent appareil est conforme aux CNR d'Innovation, Sciences et Développement économique Canada applicables aux appareils radio exempts de licence.

L'exploitation est autorisée aux deux conditions suivantes :

- (1) L'appareil ne doit pas produire de brouillage;
- (2) L'appareil doit accepter tout brouillage radioélectrique subi, même si le brouillage est susceptible d'en compromettre le fonctionnement.

This transmitter must not be co-located or operating in conjunction with any other antenna or transmitter. This equipment should be installed and operated with a minimum distance of 20 centimeters between the radiator and your body.

Cet émetteur ne doit pas être Co-placé ou ne fonctionnant en même temps qu'aucune autre antenne ou émetteur. Cet équipement devrait être installé et actionné avec une distance minimum de 20 centimètres entre le radiateur et votre corps.

FCC Statement

Changes or modifications not expressly approved by the party responsible for compliance could void the user's authority to operate the equipment.

This equipment has been tested and found to comply with the limits for a Class B digital device, pursuant to Part 15 of the FCC Rules. These limits are designed to provide reasonable protection against harmful interference in a residential installation. This equipment generates uses and can radiate radio frequency energy and, if not installed and used in accordance with the instructions, may cause harmful interference to radio communications. However, there is no guarantee that interference will not occur in a particular installation. If this equipment does cause harmful interference to radio or television reception, which can be determined by turning the equipment off and on, the user is encouraged to try to correct the interference by one or more of the following measures:

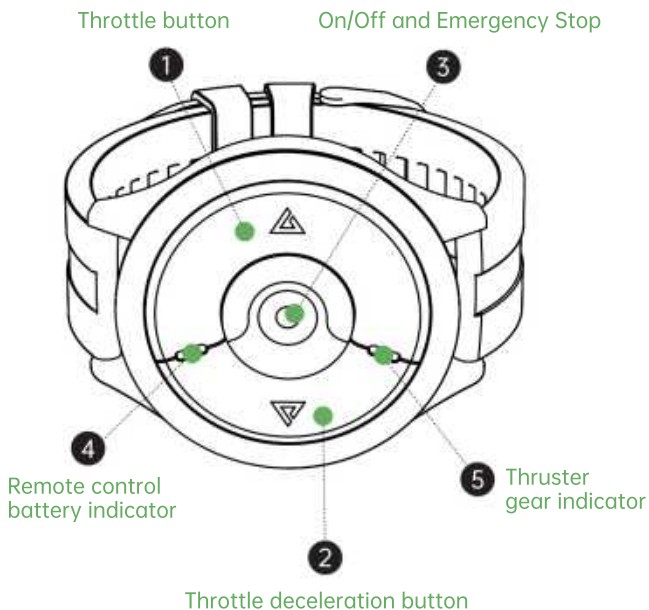
- Reorient or relocate the receiving antenna.
- Increase the separation between the equipment and receiver.
- Connect the equipment into an outlet on a circuit different from that to which the receiver is connected.
- Consult the dealer or an experienced radio/TV technician for help.

This device complies with part 15 of the FCC rules. Operation is subject to the following two conditions:

- (1) This device may not cause harmful interference, and;
- (2) This device must accept any interference received, including interference that may cause undesired operation.

This equipment complies with FCC radiation exposure limits set forth for an uncontrolled environment. This equipment should be installed and operated with minimum distance 20cm between the radiator & your body.

Remote Control Watch



IC Statement

This device contains licence-exempt transmitter(s)/receiver(s) that comply with Innovation, Science and Economic Development Canada's licence-exempt RSS(s). Operation is subject to the following two conditions:

- (1) This device may not cause interference.
- (2) This device must accept any interference, including interference that may cause undesired operation of the device.

Cet appareil contient des émetteurs/récepteurs exemptés de licence qui sont conformes aux flux RSS exemptés de licence de Innovation, Science et développement économique Canada. L'exploitation est soumise aux deux conditions suivantes:

- (1) cet appareil ne doit pas causer d'interférences.
- (2) ce dispositif doit accepter toute interférence, y compris toute interférence susceptible de provoquer un fonctionnement indésirable du dispositif.

FCC Statement

Changes or modifications not expressly approved by the party responsible for compliance could void the user's authority to operate the equipment.

This equipment has been tested and found to comply with the limits for a Class B digital device, pursuant to Part 15 of the FCC Rules. These limits are designed to provide reasonable protection against harmful interference in a residential installation. This equipment generates uses and can radiate radio frequency energy and, if not installed and used in accordance with the instructions, may cause harmful interference to radio communications. However, there is no guarantee that interference will not occur in a particular **installation**. If this equipment does cause harmful interference to radio or television reception, which can be determined by turning the equipment off and on, the user is encouraged to try to correct the interference by one or more of the following measures:

- Reorient or relocate the receiving antenna.
- Increase the separation between the equipment and receiver.
- Connect the equipment into an outlet on a circuit different from that to which the receiver is connected.
- Consult the dealer or an experienced radio/TV technician for help.

This device complies with part 15 of the FCC rules. Operation is subject to the following two conditions:

- (1) This device may not cause harmful interference, and;
- (2) This device must accept any interference received, including interference that may cause undesired operation.

This equipment complies with FCC radiation exposure limits set forth for an uncontrolled environment.

Battery Introduction

The battery is a high-performance lithium battery specially designed for P1 paddle board thruster, with a capacity of 13.6AH, using high-performance cells, which can provide abundant power for P1.

* The battery must be charged with the special charger provided by the P1 product, and HIGH GREAT will not be responsible for any consequences caused by using an unofficial product charger.

* The P1 is powered by a lithium battery. Please be sure to fully charge the battery before using it for the first time.

* The battery can be fully charged in about 3.5 hours using the standard adapter.

Charging Adapter

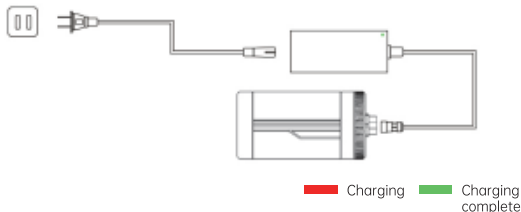
This charging adapter is specially designed for P1 lithium batteries.

* See the wiring mark to confirm whether the input voltage matches the product.

* Please verify the connection on each terminal before powering on after installation. Eliminate the occurrence of reverse connection and wrong connection.

Battery Charging

After connecting the battery terminal base and the charger, connect the charger to the AC power supply (100-240V~ AC, 50/60Hz), and start charging. After the indicator light turns green, it indicates that the charging is complete.



Battery Storage and Maintenance

1. When the device is not in use, the battery must be taken out and placed separately.
2. The battery should be stored separately in a cool and well-ventilated area, with a storage temperature of $25\pm 5^{\circ}\text{C}$ and humidity of $65\pm 20\%\text{RH}$. The battery's charge level should be maintained at around 30%-60%.
3. Do not place the battery in a place with direct sunlight or high temperature (such as microwave ovens, ovens, etc.), overheating the battery may cause an explosion.
4. Do not place the battery in a fire source as it may cause the battery to catch fire or explode.
5. Do not charge the battery near fire or heat sources.
6. Do not drop, squeeze or puncture the battery, as this may cause a short circuit and overheating inside the battery.
7. Do not disassemble or modify the battery, unauthorized modification may cause leakage or explosion.
8. Do not place the battery within the reach of children.
9. Do not charge the battery below 0°C .
10. When the battery is used below 0°C , the battery power will drop sharply, resulting in a sharp reduction in running time.
11. For safety reasons, the battery should be kept at a low level of charge during transportation. Prior to shipping, please discharge the battery to 30% of its capacity.
12. Do not use damaged batteries.
13. When not in use for an extended period, please store this product in a dry place. If stored for a long duration, please check the battery level at least every three months and recharge it to 60%, as failure to do so may damage the battery.

Preparation Instructions Before Use

1. Please check the equipment by yourself after unpacking. If you find that the product body is broken, the propeller blade is broken, the connecting wire is broken, the battery bulge or liquid leakage, or if the wearable device buckle is loose, please do not use it and contact HIGH GREAT in time. The after-sales services center or its authorized after-sales services agency.
2. Before using this product, you should read the user manual carefully and be familiar with the product operation process and instructions for use.
3. Before using this product, the battery must be fully charged with a special charger. Connect the charger to the AC power supply, (100-240V~ AC, 50/60Hz).
4. Before using this product, you should check whether the product has shell damage, etc. If there is any damage, please do not use it in the water.
5. Before using this product, press the start button in the air, practice running the product, and check if the thruster is running normally (smooth, no noise is normal); check if the power indicator is on normally.
* Due to idle protection, the propeller cannot operate for a long time and will automatically stop after 10 seconds of rotation.
6. If the above conditions are met correctly, the product can be put into use. If there is any problem, please suspend the use.

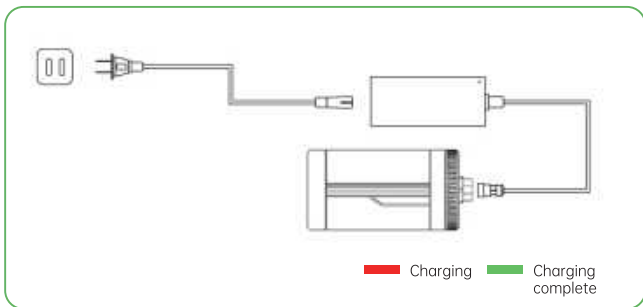
* Players must be familiar with product performance and fully master various operations in a safe water environment before they can use this product officially.

Instructions for Use of Paddle Board Thruster

- 1 Tie one end of the Anti-lost switch to the leg and the other end to the converter. Currently, the converter power light is on, which is a normal working state;
- 2 The two ends of the waterproof connector are respectively connected to the thruster and the converter, and the plug on the converter is connected to the battery;
- 3 Insert the handle on the thruster in the mounting seat of a paddle board or kayak, etc., and then insert the pin to fix it for remote use.

Instructions for Charging the Paddle Board Thruster

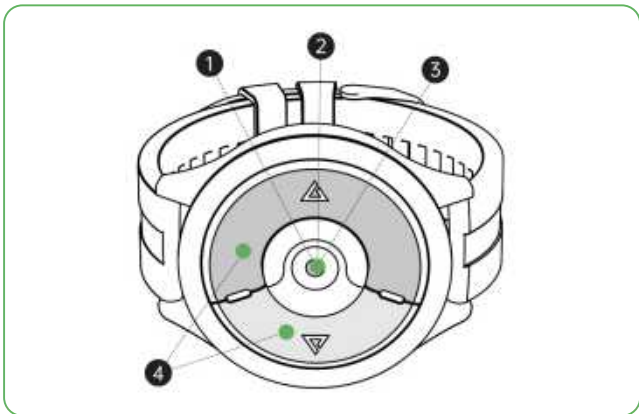
- 1 As shown in the figure, after connecting the battery to the charger, charging will start. After the indicator light turns green, it indicates that the charging is complete.



Remote Control Watch Instructions

The functions of each key are shown in the figure below.

- 1 Power on:** Press and hold the switch button for 3 seconds, and the three-grid host's power feedback light will be on and turned on successfully.
- 2 Shutdown:** Press and hold the switch button for 3 seconds, and the power feedback light on the three-grid host goes out and shuts down successfully.
- 3 Equipment emergency stop:** Press the switch/emergency stop button in any gear to immediately stop the thruster.
- 4 Speed gear switch:** press the throttle button to switch the higher gear, and press the deceleration button to switch the lower gear.



Remote Control Watch Indicator Light Description

- 1 Host power feedback light indication description:** The host power feedback light shows the current battery level of the remote control watch. There are three grids in total. All three grids are on to prove that the power is the most sufficient. Otherwise, it means that the power is insufficient. $0 < \text{power} \leq 30\%$ feedback light shows red, $30\% < \text{power} \leq 60\%$ shows yellow, $60 < \text{power} \leq 100\%$ shows green;
- 2 Status light indication:** The status light shows the gear position of the current device, and different colors correspond to different gears. There are 3 gears in total: 1st gear shows red, 2nd gear shows green, and 3rd gear shows blue.

* Please pay attention to the power of the remote control and battery before use.

Remote Control Watch Pairing Instructions

When replacing the new remote control, it needs to be paired with the thruster. The specific operations are as follows:

Connect the propeller part first, turn on the remote control, press and hold the throttle button and the deceleration button at the same time, and release the two buttons after the gear light turns white.

At this time, the converter is powered off and powered on again, and the remote control gear light is restored, and the pairing operation is completed.

Remote Control Watch Charging Instructions

Connect the charging port of the remote control to the magnetic seat. When charging, the power indicator light flashes. When the light shows green, it means it is full.

Charging Adapter Instructions for Use

- 1 See the wiring mark to confirm whether the input voltage matches the product.
- 2 When wiring, please cut off the input power.
- 3 High-power power supply pay attention to whether the use space is enough to dissipate heat and prolong the life of the power supply.
- 4 Please verify the connection on each terminal before powering on after installation. Eliminate the occurrence of reverse connection, wrong connection and other phenomena.
- 5 Frequent switching of the power adapter will affect its life.

Faults	Solutions
The motor fails to start	<ol style="list-style-type: none">1. Check whether the battery is charged.2. Check whether the equipment can be powered on normally and whether the indicators are on normally.3. Check whether the propellers can be pivoted.4. Contact High Great or its authorized after-sales service organization.
The propeller is jammed or rotates abnormally	<ol style="list-style-type: none">1. Power off the equipment.2. Remove the battery.3. Check whether the propellers can be pivoted.4. Check whether the propeller is entangled by foreign objects.5. Contact High Great or its authorized after-sales service organization.
No output from the battery	Contact High Great or its authorized after-sales service organization.

Faults	Solutions
The equipment cannot start	<ol style="list-style-type: none">1. Fully charge the battery, install the battery and try to power on the equipment again.2. Contact High Great or its authorized after-sales service organization.
The indicator displays abnormally	<ol style="list-style-type: none">1. Check whether the battery is charged.2. Check whether the equipment can be powered on normally.3. Restarting the equipment.4. Contact High Great or its authorized after-sales service organization.
Operation exception	<ol style="list-style-type: none">1. Check whether the equipment is worn correctly.2. Restarting the equipment.3. Contact High Great or its authorized after-sales service organization.
Battery charging exception	Contact High Great or its authorized after-sales service organization.

Cleaning Tips After Use

1. Please soak P1 in clear water for 30 minutes after use to avoid seawater or foreign objects and do the followings:
 - * Unfasten all the buckles when cleaning. And the whole product can be cleaned without unfastening the connectors.
 - * Please soak the equipment in clear water.
 - * The equipment shall be soaked for at least 20 minutes.
 - * Do not add chemical cleaning products such as laundry detergents and cleansers to the clear water.
2. Shake and clean the P1 body well to remove any foreign object attached to it.
3. Wipe the equipment surface with dust-free soft cloth to remove water droplets around the equipment and battery, take out the battery and put it in a cool and dry place for natural drying.
 - * Do not use hair dryers and dryers for drying.

Storage

If the product is not to be used for a long time, please note that P1 and the battery should be stored separately in the package, and please follow the following principles:

1. Please ensure that the product is stored in a cool and ventilated place with the storage temperature of 0-45°C and the humidity of 65±20%RH.
2. Please keep the product away from direct sunlight.
3. Keep the product away from high temperature, fire source and the location accessible to children.
4. Keep the product away from any equipment generating strong magnetic field.
5. Please charge the battery at least once every three months.

Suggestions for Use and Getting Support

Suggestions for use

Before using this product, please read the user manual carefully to be familiar with all the operation methods and precautions.

Getting support

You can choose the following ways to get service and support related to product questions, user manuals, instructional videos, etc.

Website: www.hg-fly.com

Service hotline: +86 19924918168

E-MAIL: marketing@hg-fly.com

Weibo



WeChat



